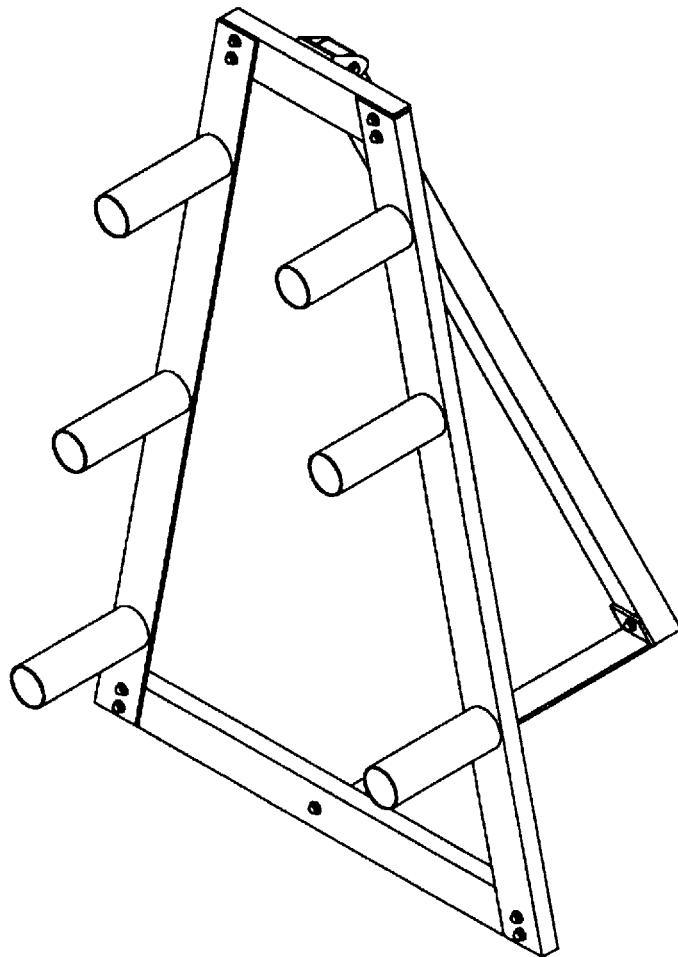


BodyCraft

MODEL:F502 ALL FRONT OLYMPIC PLATE TREE



Thank you for purchasing the Bodycraft All Front Olympic Plate Tree
If you have any question, please call your local Bodycraft dealer or call
Our customer service department at 800--900-5556

ASSEMBLY INSTRUCTION

Do not tighten bolts until instructed.

1. Connect Front Stabilizer (04) and Top Plate (03) to two Front Upright (01, 02) using Bolt(08) ,Washer(09) and nut(10).
2. Attach Rear Support(05) onto Top Plate(03),using Bolt(07), washer(09) and Nut(10).
3. Connect Base Brace(06) onto Front Stabilizer(04) and Rear Support(05) using Bolt(08), Washer(09) and Nut(10).
4. Attach end cap (11) onto Rear Support (05).

Please check all parts are assembled and tighten all bolts gradually.

