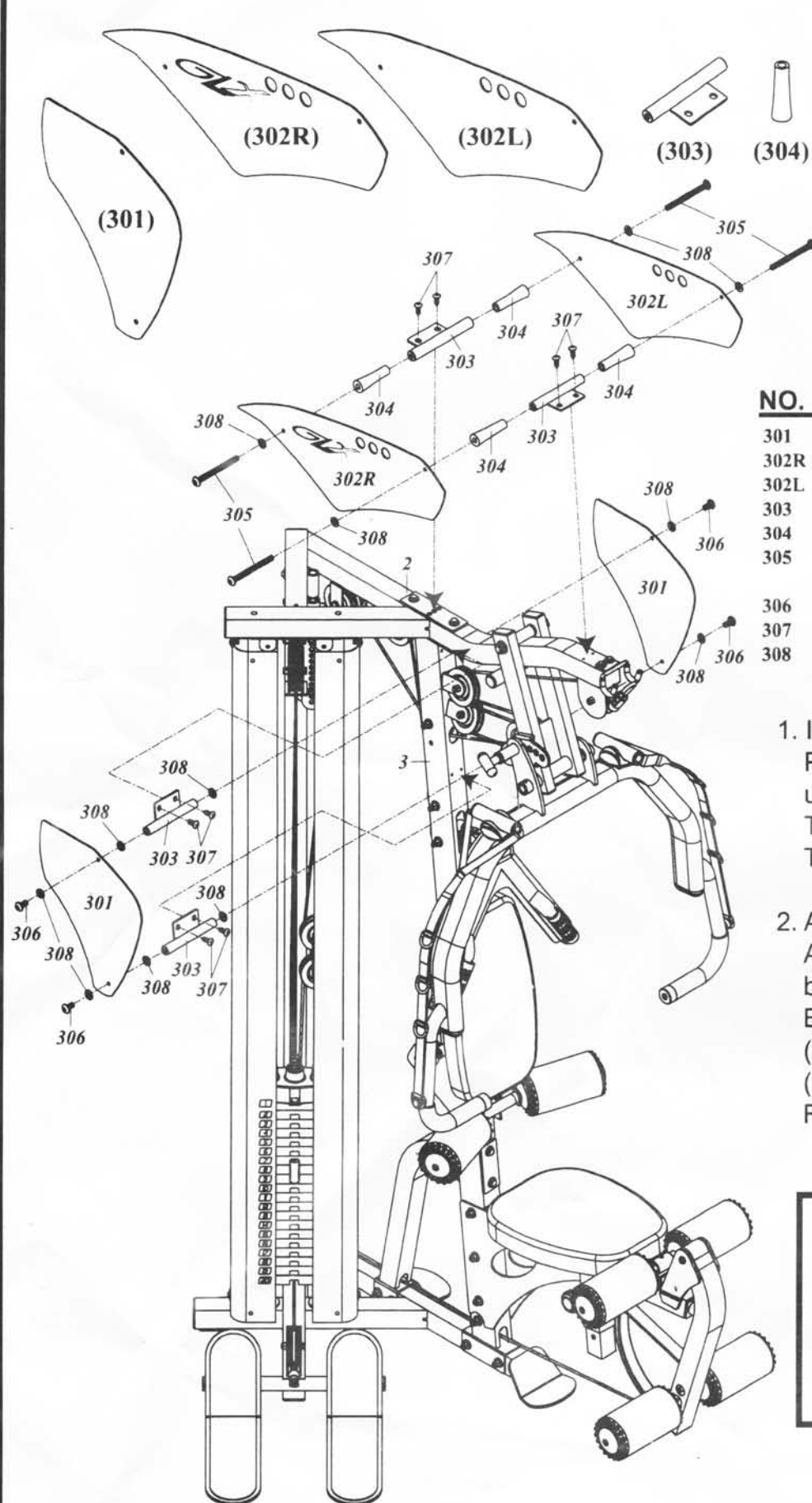


INSTALL ACRYLIC PANELS



NO.	DESCRIPTION	QTY.
301	ACRYLIC PANEL	2
302R	RIGHT ACRYLIC PANEL	1
302L	LEFT ACRYLIC PANEL	1
303	CONNECTOR PLATE	4
304	PLASTIC STUDS	4
305	M6 X 70L BUTTON HEAD ALLEN BOLT	4
306	M6 X 12L MALE SCREW	4
307	M5 X 16L TAPPING SCREW	8
308	RUBBER RING	12

1. Install four Connector Plate (303) as shown using eight each M5 X 16L Tapping Screws (307) and Tighten.
2. Attach Right and Left Acrylic Panel (302R,302L) by using four M6 X 70L Button Head Allen Bolts (305), four Plastic Studs (304) and four Rubber Rings (308).



Carefully tighten making sure not to Crack the panels.

MA868-5