



**Cybex Eagle® Chest Press**  
**Owner's and Service Manual**  
Strength Systems  
Part Number 11000-999 M





**Cybex Eagle® Chest Press  
Owner's and Service Manual  
Strength Systems  
Part Number 11000-999 M**

Cybex® and the Cybex logo are registered trademarks of Cybex International, Inc.  
Eagle® and its mark are registered trademarks of Cybex International, Inc.

**DISCLAIMER:** Cybex International, Inc., makes no representations or warranties regarding the contents of this manual. We reserve the right to revise this document at any time or to make changes to the product described within it without notice or obligation to notify any person of such revisions or changes.

© Copyright 2010, Cybex International, Inc. All rights reserved.

Printed in the United States of America.  
10 Trotter Drive Medway, MA 02053 • 508-533-4300 • FAX 508-533-5183  
www.cybexinternational.com • techhelp@cybexintl.com • 11000-999 M • March 2010



# Table of Contents

<b>1 Safety</b>	
Safety . . . . .	1-1
Warning/Caution Decals . . . . .	1-2
Regular Maintenance Activities . . . . .	1-5
Using Proper Form . . . . .	1-5
<b>2 Exercises</b>	
General Exercise Guidelines . . . . .	2-1
<b>3 Customer Service</b>	
Contacting Service . . . . .	3-1
Ordering parts . . . . .	3-1
Return Material Authorization (RMA) . . . . .	3-1
Damaged Parts . . . . .	3-2
<b>4 Assembly</b>	
Assembly . . . . .	4-1
<b>5 Maintenance</b>	
Daily Procedures . . . . .	5-1
Weekly Procedures . . . . .	5-4
Yearly Procedures . . . . .	5-6
Environment . . . . .	5-7
Storage . . . . .	5-7
<b>6 Service</b>	
Parts Lists . . . . .	6-4
Exploded-View Diagram . . . . .	6-5



# 1 - Safety

## Safety


Read the Owner's Manual carefully before assembling, servicing or using the equipment.

It is the responsibility of the facility owner and/or owner of the equipment to instruct users on proper operation of the equipment and review all labels.



**WARNING: Serious injury could occur if these safety precautions are not observed:**

### User Safety Precautions

- Obtain a medical exam prior to beginning an exercise program.
- Read and understand warning labels and user manual prior to exercising. Obtain instruction prior to use. 
- Keep body and clothing free from and clear of all moving parts.
- Inspect machine prior to use. **DO NOT** use if it appears damaged or inoperable.
- **DO NOT** attempt to fix a broken or jammed machine. Notify floor staff.
- Use the machine only for the intended use. **DO NOT** modify the machine.
- Be sure that the weight pin is completely inserted. Use only the pin provided by the manufacturer. If unsure seek assistance.
- Never pin the weights in an elevated position. **DO NOT** use the machine if found in this condition. See assistance from floor staff.
- Children must not be allowed near these machines. Teenagers must be supervised.
- **DO NOT** use if guards are missing or damaged.
- **DO NOT** use dumbbells or other incremental weights, except those provided by the manufacturer.
- Inspect all cables and belts and connections prior to use. **DO NOT** use if any components are worn, frayed or damaged.
- **DO NOT** remove any labeling from equipment. Replace any damaged labels.
- Stop exercising if you feel faint, dizzy or experience pain at any time while exercising and consult your physician.

### Facility Safety Precautions

- Read the Owner's Manual carefully before assembling, servicing or using the equipment.
- Securely anchor each machine to the floor using the anchor holes provided in each machine.

**NOTE:** *Cybox is not responsible for the actual anchoring of equipment. Consult with a professional contractor.*

**NOTE:** *Use fasteners having a minimum of 500 lbs. tensile capacity (3/8" grade 2 bolts or better).*

**NOTE:** *If legs/frame does not contact surface, DO NOT pull down with anchors. Shim any leg or frame not in contact with surface using flat washers.*

## **Cybox Eagle 11000 Chest Press Owner's Manual**

- Make sure that each machine is set up and operated on a solid level surface. **Do not install equipment on an uneven surface.**
- Make sure that all users are properly trained on how to use the equipment.
- Make sure there is enough room for safe access and operation of the equipment.
- Perform regular maintenance checks on the equipment. Also pay close attention to all areas most susceptible to wear, including (but not limited to) cables, pulleys, belts and grips.
- Immediately replace worn or damaged components. If unable to immediately replace worn or damaged components then remove from service until the repair is made.
- Use only Cybox supplied components to maintain/repair the equipment.
- Keep a repair log of all maintenance activities.
- Inspect all cables and belts and connections prior to use. **DO NOT** use if any components are worn, frayed or damaged.

**NOTE:** *It is the sole responsibility of the user/owner or facility operator to ensure that regular maintenance is performed.*

### **Safety Guidelines And Practices**

Cybox recommends that all fitness equipment be used in a supervised area. It is recommended that the equipment be located in an access controlled area. Control is the responsibility of the owner. The extent of control is at the discretion of the owner.

It is the responsibility of the purchaser/user of Cybox products to read and understand the owner's manual, and warning labels; as well as instruct all individuals, whether end users or supervising personnel, on proper usage of the equipment.

#### **PROPER USAGE:**

Use machine only as described in the manual. Failing to follow proper instructions may result in injury.

**Do Not Lean Against or Pull** On the framework, weight stack, or any component, whether machine is at rest or in use. Inappropriate or improper use may result in injury to users or third parties (bystanders).

Do not use machine if it is not located on a solid level surface or is improperly installed.

Provide an adequate safety perimeter between the machine, walls and other equipment to ensure that the facility has the proper clearance for usage and training.

#### **SECURING EQUIPMENT:**

The machine has holes in the feet, which allow for ease in anchoring to the floor. Cybox strongly recommends that, to eliminate rocking, tipping or falling over due to incorrect usage and misuse, equipment be secured to a solid, level surface.

1. The solid, level surface should not deviate more than 1/8" over a 10' distance or as defined and required by local building and architectural codes.
2. Anchoring of equipment must be completed by a qualified licensed contractor.

## ***Cybox Eagle 11000 Chest Press Owner's Manual***

3. Anchoring holes are provided on the feet of the frame. All anchoring locations must be used when anchoring the equipment to the floor.
4. Due to the wide variation of flooring on which machines may be anchored or installed, verify anchoring method and anchoring fasteners with a qualified and licensed contractor.
5. A minimum pull out force of 220 lbs/100 kgs is required for each anchor position..
6. Do not use machine until it is properly anchored.

### **MAINTENANCE:**

Preventative maintenance allows proper equipment operation and reduces the risk of injury. Perform the maintenance requirements as specified in the manual.

### **STANDARD COMPLIANCE:**

Cybox products meet or exceed applicable ASTM and EN Standards.



### ***Warning/Caution Decals***


Warning decals indicate a potentially hazardous situation, which, if not avoided, could result in death or serious injury.

Caution decals indicate a potentially hazardous situation, which, if not avoided, could result in minor or moderate injury.

The warning and caution decals are shown on the following page. The diagrams following the decals show where each decal is located.

**⚠ WARNING**

**SERIOUS INJURY  
COULD OCCUR IF  
THESE PRECAUTIONS  
ARE NOT OBSERVED**

1. Obtain a medical exam prior to beginning an exercise program.
2. Read and understand warning labels and user manual prior to exercising. Obtain instruction prior to use. 
3. Keep body and clothing free from and clear of all moving parts.
4. Inspect machine prior to use. DO NOT use if it appears damaged or inoperable.
5. DO NOT attempt to fix a broken or jammed machine. Notify floor staff.
6. Use the machine only for the intended use. DO NOT modify the machine.
7. Be sure that the weight pin is completely inserted. Use only the pin provided by the manufacturer. If unsure seek assistance.
8. Never pin the weights in an elevated position. DO NOT use the machine if found in this condition. Seek assistance from floor staff.
9. Children must not be allowed near this machine. Teenagers must be supervised.
10. DO NOT use if guards are missing or damaged.
11. DO NOT use dumbbells or other incremental weights, except those provided by the manufacturer.
12. Inspect all cables and belts and connections prior to use. DO NOT use if any components are worn, frayed, or damaged.
13. DO NOT REMOVE THIS LABEL. REPLACE IF DAMAGED.

4605-381-4 A

**⚠ CAUTION**

**Personal injury may occur.  
Keep away from moving  
parts to avoid injury.**

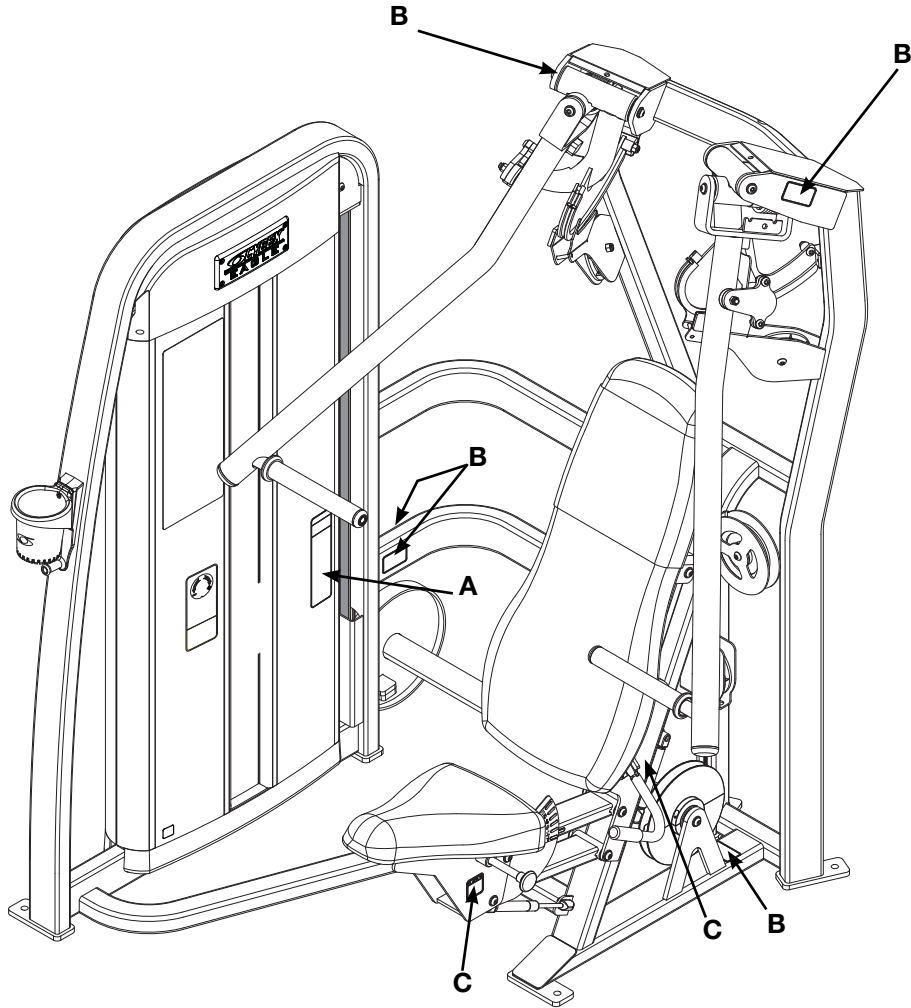
4000Y316-4

**⚠ CAUTION**

**Seat may fall if  
improperly engaged.  
Verify seat is secure  
before exercising to  
avoid injury.**

4520-362-4

Chest Press 11000



DESCRIPTION	PART NO.
A. Warning Label .....	4605-381-4
B. Caution Decal.....	4000Y316-4
C. Caution Decal.....	4520-362-4

## ***Regular Maintenance Activities***

Preventative maintenance activities must be performed to maintain normal operation of your equipment. Keeping a log sheet of all maintenance actions will assist you in staying current with all preventative maintenance activities. The preventative maintenance actions are described in detail in Chapter 5. Briefly, they include:

### **Daily**

1. Clean upholstery.

### **Weekly**

1. Inspect all nuts and bolts for looseness. Tighten as required.
2. Inspect all cables and belts for damage or wear (see Chapter 5). **If a cable or belt is worn or damaged, immediately discontinue use until cable or belt has been replaced.**
3. Check for worn handles, worn snap links, and worn warning labeling. Replace all worn parts immediately.
4. Inspect for loose or worn grips. Replace all worn grips immediately.
5. Inspect weight stacks for proper alignment and operation. Correct all improper alignment and operation issues immediately.
6. Lubricate guide rods using automotive engine oil only.

### **Yearly**

1. Replace all cables and belts at least annually.

## ***Using Proper Form***

Before working out, read and understand the exercises located on the placard and in Chapter 2.

## 2 - Exercise

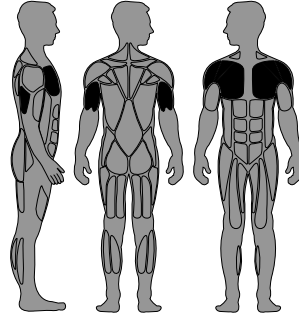
### Intended Use

The intended use of this equipment is to aid or improve general physical fitness and exercise. For Commercial use.

### Instructions

Read and understand all instructions and warnings prior to using this machine. See Chapter 1, Safety in the Eagle Owner's Manual or consult with floor staff.

### MUSCLES USED



Pectoralis Major, Anterior Deltoid, Triceps (basic movement), Biceps (advanced movement)

### START



### FINISH



**NOTE:** Motion Developed: Shoulder Flexion, Elbow Extension

**NOTE:** Do not turn knob when weight stack is elevated.

**NOTE:** All adjustment points on the machine have yellow handles or knobs.

**NOTE:** See next page for "Set Up" and "Movement".

**Set Up**

1. Adjust seat bottom and back so that handles are at mid-chest.
2. Select hand position that allows hands to finish in front of the shoulders.

**Basic Movement**

1. Push handles forward until your arms are fully straightened.

**Advanced Movement**

1. Using a slightly wider hand position bring the handles in slightly. Push handles forward and to the center until your arms are fully straightened.

## 3 - Customer Service

### **Contacting Service**

Hours of phone service are Monday through Friday from 8:30 to 6:00 p.m. Eastern Standard Time.

For Cybox customers living in the USA, contact Cybox Customer Service at **888-462-9239**.

For Cybox customers living outside the USA, contact Cybox Customer Service at **508-533-4300** or fax **508-533-5183**.

Find information on the web at [www.cyboxintl.com](http://www.cyboxintl.com) or by e-mail at [techhelp@cyboxintl.com](mailto:techhelp@cyboxintl.com).

### **Ordering Parts**

Fax order to **508-533-5183**. To speak with a customer service representative, call **888-462-9239** (for customers living within the USA) or **508-533-4300** (for customers outside the USA). You may also contact us through e-mail at [techhelp@cyboxintl.com](mailto:techhelp@cyboxintl.com)

Having the following information ready when calling will assist our Cybox representatives in serving you.

- **Unit Serial Number**
- **Product Name**

The unit serial number and product name can be found on the serial number decal. See Chapter 6 for exact location of serial number decal.

- **Part Description**
- **Part Number**

Part descriptions and part numbers are located in Chapter 6 of this manual.

- **Shipping Address**
- **Contact Name**

### **Return Material Authorization (RMA)**

In addition to your shipping address and contact name, your account number is helpful but not required.

The Return Material Authorization (RMA) system outlines the procedures to follow when returning material for placement, repair or credit. The system assures that returned materials are properly handled and analyzed. Follow the following procedures carefully.

Contact your authorized Cybox dealer on all warranty-related matters. Your local Cybox dealer will request a RMA from Cybox, if applicable. Under no circumstances will defective parts or equipment be accepted by Cybox without proper RMA and an Automated Return Service (ARS) label.

## **Cybox Eagle 11000 Chest Press Owner's Manual**

1. Call the Customer Service Hot Line listed above for the return of any item that is defective.
2. Provide the technician with a detailed description of the problem you are having or the defect in the item you wish to return.
3. Provide the model and serial number of your Cybox equipment.
4. At Cybox's discretion, the technician may request that you return the problem part(s) to Cybox for evaluation and repair or replacement. The technician will assign you a RMA number and will send you an ARS label. The ARS label and the RMA numbers must be clearly displayed on the outside of the package that contains the item(s) to be returned. Include the description of the problem, the serial number of the equipment and the name and address of the owner in the package along with the part(s).
5. Forward the package through UPS to Cybox.  
Attn: Customer Service Department  
Cybox International, Inc.  
1975 24th Ave SW  
Owatonna, MN 55060

**NOTE:** Merchandise returned without an RMA number on the outside of the package or shipments sent COD will not be accepted by the Cybox receiving department.

### **Damaged Parts**

Materials damaged in shipment should not be returned for credit. Shipping damages are the responsibility of the carrier (UPS, Federal Express, trucking companies, etc.)

**Apparent Damage** - Upon receipt of your shipment, check all items carefully. Any damage seen with a visual check must be noted on the freight bill and signed by the carrier's agent. Failure to do so will result in the carrier's refusal to honor your damage claim. The carrier will provide you with the required forms for filing such claims.

**Concealed Damage** - Damage not seen with a visual check upon receipt of a shipment but notices later must be reported to the carrier as soon as possible. Upon discovery of the damage, a written or phone request to the carrier asking them to perform an inspection of the materials must be made within ten days of the delivery date. Keep all shipping containers and packing materials as they will be needed in the inspection process. The carrier will provide you with an inspection report and the necessary forms for filing a concealed damage claim. Concealed damage claim is the carrier's responsibility.

# 4 - Assembly

## TOOLS REQUIRED

- 7/32" Allen wrench
- 3/4" Allen wrench
- 9/16" Wrench
- External snap ring pliers
- Phillips screwdriver
- Medium weight automotive engine oil
- Torque Wrench

**NOTE:** Two people will be required for this procedure.

**NOTE:** It is the responsibility of the facility owner/owner of the equipment to ensure that there is appropriate clearance around each machine to allow for safe use and passage.

- 1. Read and understand all instructions thoroughly before starting any of the procedures listed on this instruction sheet.**
- 2. Verify you have received the appropriate configuration.**
  - A. Verify that you received the correct color machine that you ordered.
  - B. Verify you received weight plates and weight plate decals.
  - C. Verify you received the Cybex Eagle Chest Press Owner's Manual.
  - D. Verify you received the warranty sheet.
- 3. Move to desired location.**
  - A. Note the dimensions of the machine:  
Idle - 54 L x 58 W x 72 H inches  
137.16 L x 147.32 W x 182.88 H cm  
In use - 54 L x 58 W x 72 H inches  
137.16 L x 147.32 W x 182.88 H cm  
Machine Weight with weight stack - 736 lbs. (333.84 kg)
  - B. Determine if you can move your machine through the required doorway(s).
  - C. If the machine fits through the doorway(s), move machine to desired location and skip to step 5.
  - D. If weight stacks need to be installed proceed to step 6.
  - E. If the machine does not fit through the door-way(s) then see step 4.
- 4. Doorway Instructions**

**NOTE:** If your machine fits through the doorway then skip step 4.  
If your machine does not fit through the doorway, then perform step 4.

  - A. Carefully remove each (standard) cone-shaped shipping support using a 3/4" socket or wrench.
  - B. Make a note of the current belt routings and connections. This will assist you in reinstalling them properly.

**Cybex Eagle 11000 Chest Press Owner's Manual**

C. Rotate cam and disconnect weight stack belt from cam (by loosening the two set screws on the belt clamp with a 7/32" Allenwrench). See Figure 1.

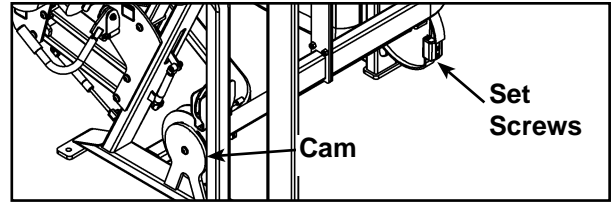


Figure 1

D. Locate the pulley bracket that is located near the cam. See Figure 2.

E. Remove bolt, washer and hex nut securing the pulley to the pulley bracket.

F. Remove pulley from pulley bracket.

G. Remove one of the two BHSCS (Button Head Socket Cap Screws) securing the pivot shaft. See Figure 3.

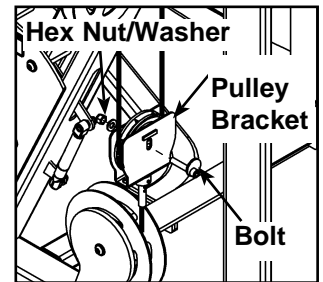


Figure 2

H. Carefully remove pivot shaft and pulley shaft. See Figure 3. **NOTE:** Be extremely careful when removing shaft so you don't ruin the threads on the shaft.

I. With an assistant, carefully remove the six BHSCS securing the two halves of the frame. See Figure 4.

J. Carefully move each half through the door-way to the desired location.

K. With an assistant, carefully attach each half together using the six BHSCS removed in step 4I. See Figure 4.

L. Carefully attach pulley shaft using the pivot shaft and BHSCS removed in steps 4G and 4H. See Figure 3.

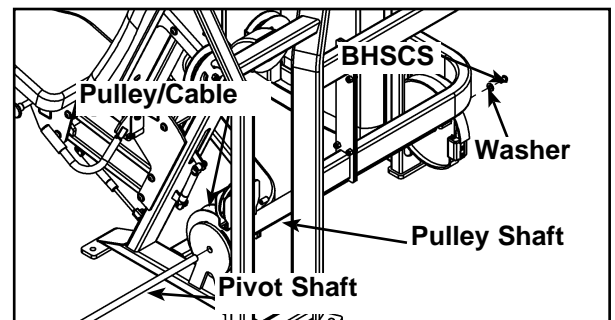


Figure 3

M. Reconnect pulley/cable to pulley bracket (removed in steps 4E and 4F).

N. Verify the two belts are routed properly (one belt from the cam to the pulley bracket and the other belt connecting to the arms).

O. Connect the weight stack belt to the belt clamp of cam (removed in step 4C). See Figure 1.

P. Continue on, starting with Step 5B.

**5. Install rubber feet and remove the back shrouds.**

A. Carefully remove each (standard) cone-shaped shipping support using a 3/4" socket or wrench.

B. Be sure machine is in desired location.

C. Carefully place rubber feet (supplied with machine) on each foot of the frame.

D. Cut shipping tie securing top weight.

E. Lift top weight and turn the Increment Weight Adjusting Knob to select all 15 lbs. (three increment weights each side).

F. Remove the three Phillips head screws securing the top (back) shroud and carefully remove the shroud. See Figure 5.

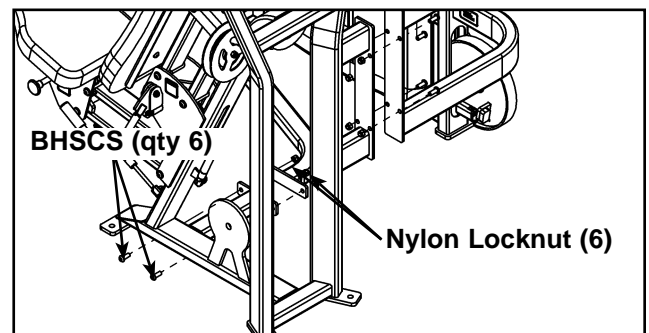


Figure 4

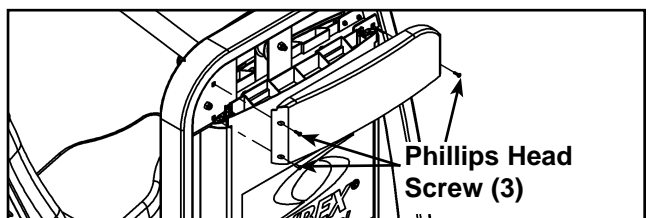


Figure 5

G. Loosen bottom two screws shown in Figure 6.

**NOTE:** Do not remove the bottom two screws.

H. Remove the top two screws securing the back shroud. See Figure 7.

I. Carefully slide rear shroud assembly upward and remove.

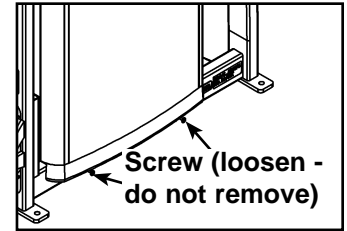


Figure 6

**6. Install the weight stack.**

A. Note how the increment weights are installed.

B. With an assistant holding the increment weights, move the adjusting knob to 0 lbs. and remove all six increment weights (three each side).

C. Using an external snap ring pliers, remove the upper snap ring from one of the guide rods and carefully lower the guide rod. See Figure 8.

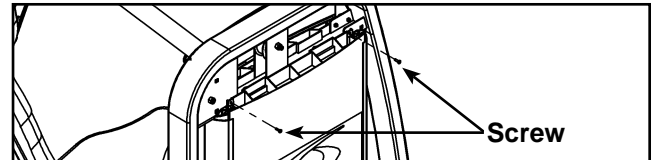


Figure 7

D. Remove lower snap ring and wave washer from the guide rod. Repeat steps 6C and 6D to remove both snap rings from other guide rod.

E. If possible, lean guide rods outward, away from machine in order to provide the most room for installing weight plates.

F. Slide top weight up and out of machine and carefully set it aside.

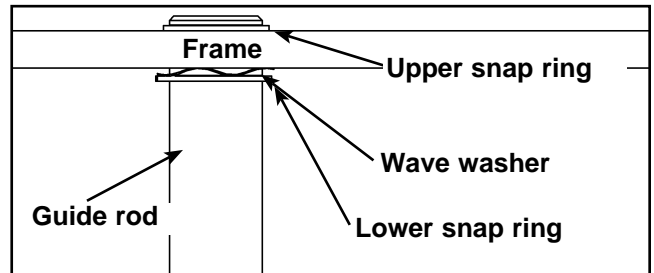


Figure 8

G. Wipe guide rods clean over entire length. Lubricate with light coating of medium weight automotive engine oil.

H. Carefully install each weight plate one at a time. **NOTE:** When installing weight plates, position plates so wide edges of bushing face upward and narrow edges of bushing face downward. See Figures 9A and 9B.

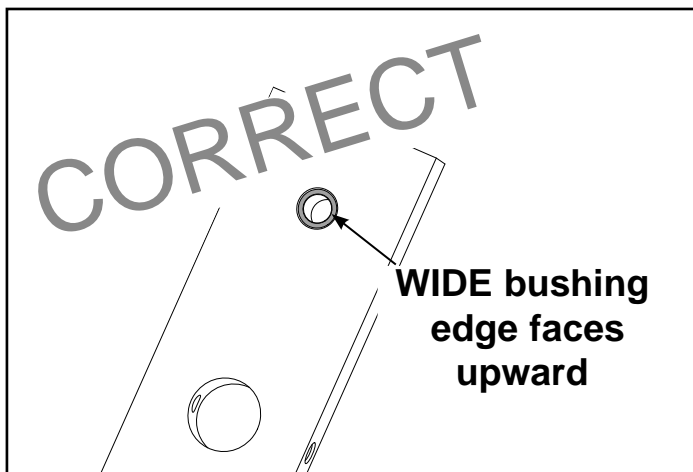


Figure 9A

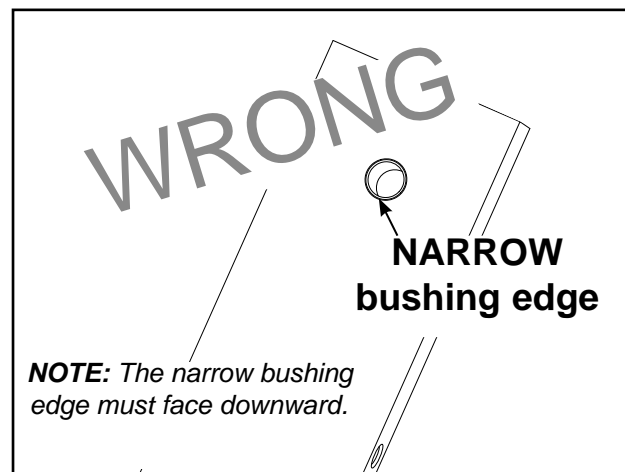


Figure 9B

I. Slide top weight onto guide rods.

J. Place lower snap ring and wave washer onto guide rod (about 3" from the top end of guide rod).

K. Raise guide rod up through mounting hole and install the upper snap ring.

- L. Lower guide rod and secure lower snap ring. Repeat steps 6J - 6L for the other guide rod.

**7. Belt Routing.**

- A. Verify belt is routed through top of pulley bracket and then route end of belt down to the top weight.
- B. Carefully lift top weight and verify that the position of the belt clamp (on the top weight) is aligned properly with the top pulley bracket (on the machine). See Figure 10.
- C. Slide belt through slot in belt clamp.
- D. Verify belt and insert are installed properly, as shown in Figure 11A. **NOTE:** Do not install the insert backwards as shown in Figure 11B.
- E. Pull belt tight and secure belt to clamp with the two set screws. See Figure 12. **NOTE:** Torque set screws 300-350 in./lbs.
- F. Place weight stack pin in each plate to verify proper installation.
- G. Without selecting any resistance, lift top weight up and down (simulating normal operation).
- H. Have an assistant verify that the belt is moving smoothly and routed straight from the top pulley bracket to the to weight belt clamp.
- I. Reinstall the six increment weights that were removed in step 6B. See Figure 13.
- J. Turn the Increment Weight Adjusting Knob to select all 15 lbs.

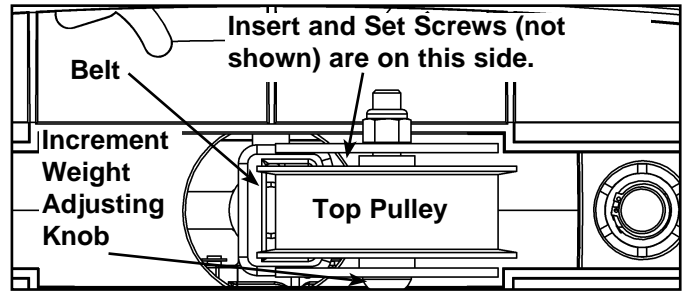


Figure 10 (top view from pulley down to belt clamp)

**Correct** belt routing

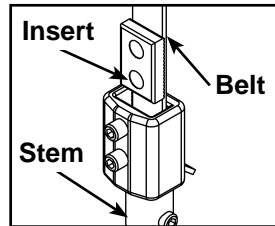


Figure 11A

**Wrong** belt routing

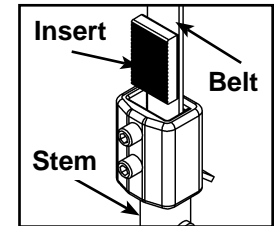


Figure 11B

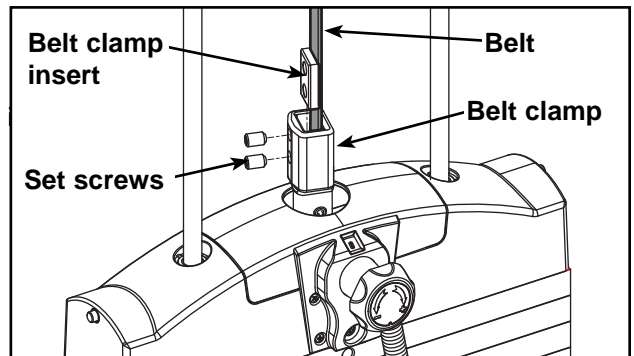


Figure 12

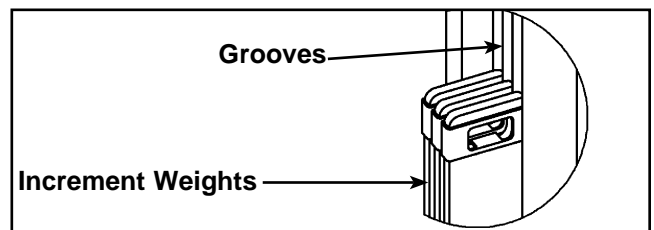


Figure 13

**8. Install back shrouds**

- A. Carefully place shroud back into position on the two bottom screws. See Figure 14.
- B. Install the top two screws securing the back shroud. See Figure 15.
- C. Install the three Phillips head screws securing the top (back) shroud. See Figure 16.

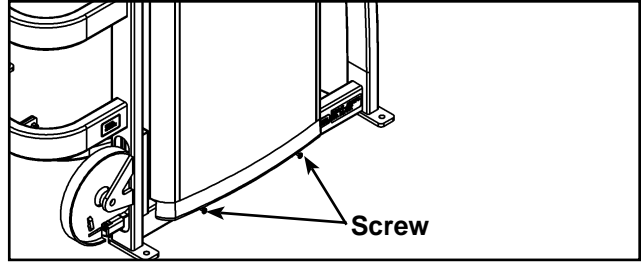


Figure 14

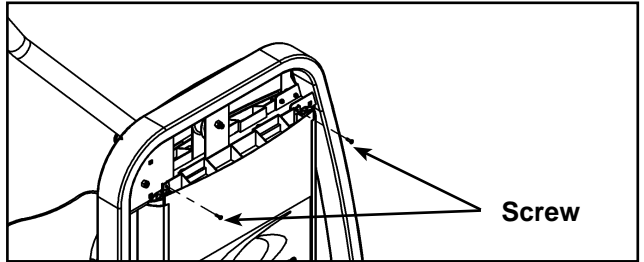


Figure 15

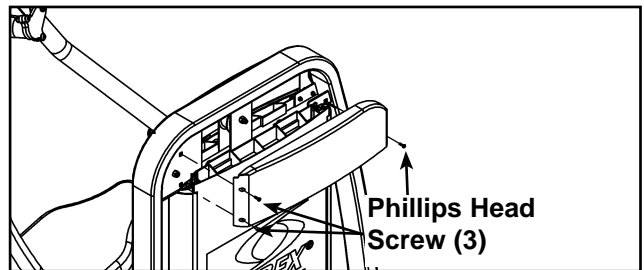


Figure 16

**9. Install weight plate decals.**

**NOTE:** You have the option to use pounds, kilograms or both.

- A. Slowly and carefully peel off back side of decal. See Figure 17. **NOTE:** When peeling off back cover, make sure that the decals remain attached to the front sticker.
- B. Align holes in decal with appropriate holes in weight stack. **NOTE:** Do not allow the adhesive to touch weight stack at this time.
- C. Insert a guide pin through each hole of the template. **NOTE:** A guide pin can be anything that fits through the weight stack hole, such as a weight stack selector pin.
- D. Carefully align decal and rub it onto weight plates.
- E. Carefully remove front side, leaving decals adhering to weight plates. See Figure 18.

**NOTE:** It is important that you perform regular inspection and maintenance activities on your equipment. See the CYBEX Eagle Owner's Manual for inspection and maintenance activities. If you do not have a CYBEX Eagle Owner's Manual or if you have any questions or concerns, call CYBEX Customer Relations at 888-462-9239.

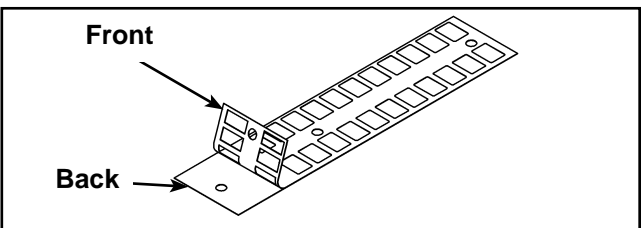


Figure 17

**10. Verify proper operation**

**11. Anchor machine to the floor.**

- A. Securely anchor machine to the floor using the anchor holes provided in each machine.

**NOTE:** Cybex is not responsible for the actual anchoring of equipment. Consult with a professional contractor.

**NOTE:** Use fasteners having a minimum of 500 lbs. tensile capacity (3/8" grade 2 bolts or better).

**NOTE:** If legs/frame does not contact surface, DO NOT pull down with anchors. Shim any leg or frame not in contact with surface using flat washers.

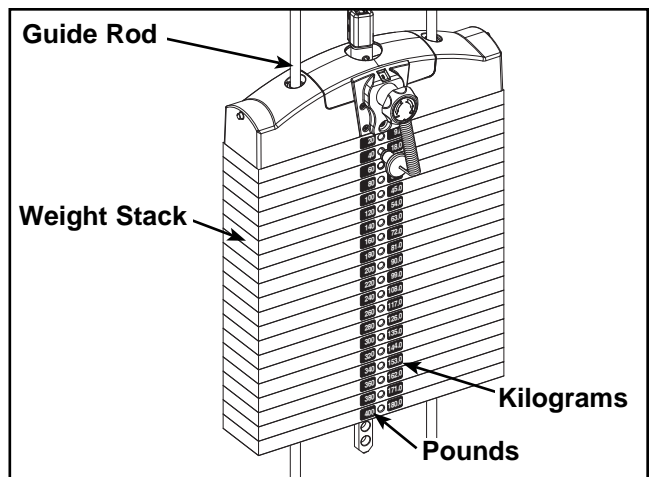


Figure 18

***This page intentionally left blank.***

## Chapter 5 - Maintenance

All preventive maintenance activities must be performed on a regular basis. Performing routine preventive maintenance actions can aid in providing safe, trouble-free operation of all Cybox Strength Systems equipment.

**NOTE:** *Cybox is not responsible for performing regular inspection and maintenance actions for your machines. Instruct all personnel in equipment inspection and maintenance actions and also in accident reporting/recording. Cybox phone representatives are available to answer any questions or concerns that you may have.*



**NOTE:** *All inspections and repairs must be performed by trained service personnel only.*

***Cybox will void warranty if non-Cybox replacement parts are used.***

### ***Daily Procedures***

1. **Upholstery** - Wipe down all upholstery as per the recommendations listed below for light soiling and more difficult stains.

#### Light Soiling

- A solution of 10% household liquid dish soap with warm water applied with a soft damp cloth.
- If necessary, a solution of liquid cleanser and water applied with a soft bristle brush. Wipe away the residue with a water dampened cloth.

### **More Difficult Stains**

- Dampen a soft white cloth with a solution of 10% household bleach (sodium hypochlorite), 90% water. Rub gently. Rinse with a water dampened cloth to remove bleach concentration.
- The same procedure can be used with full strength household bleach, if necessary.
- Allow bleach to puddle on the affected area or apply with a soaked cloth for approximately 30 minutes. Rinse with a water dampened cloth to remove any remaining bleach concentration.

### **Alternative Method for Difficult Stains**

- Dampen a soft white cloth with rubbing alcohol and rub gently. Rinse with a water dampened cloth to remove any remaining rubbing alcohol concentration.

**NOTE:** To restore luster, a light coat of spray furniture wax can be used. Apply for 30 seconds and follow with a light buffing using a clean white cloth.

### ***Please Review Carefully***

When using strong cleaning agents such as rubbing alcohol or bleach, it is advisable to first test in an inconspicuous area. Other cleaning agents may contain harsh or unknown solvents and are subject to formula changes by the product manufacturer without notice. Should you desire to use other cleaning agents, carefully try them in an inconspicuous area to determine potential damage to the material. Never use harsh solvents or cleaners which are intended for industrial applications. To clean stained or soiled areas, a soft white cloth is recommended. Avoid use of paper towels.

Cleaning products may be harmful/irritating to your skin, eyes, etc. Use protective gloves and eye protection. Do not inhale or swallow any cleaning product. Protect surrounding area/clothing from exposure. Use in a well ventilated area. Follow all product manufacturer's warnings. CYBEX and its vendors cannot be held responsible for damage or injuries resulting from the use or misuse of cleaning products.

2. Frames - Wipe down all frames using a mild solution of warm water and car wash soap. Be sure to dry thoroughly. AVOID acid or chlorine based cleaners and also cleaners containing abrasives as these could scratch or damage the equipment.
3. Chrome - Clean chrome tubes, first using chrome polish and then using a car wax seal. Neutral cleaners with a pH between 5.5 and 8.5 are recommended. Be sure to dry thoroughly. AVOID acid or chlorine based cleaners and also cleaners containing abrasives as these could scratch or damage the equipment.

**4. Guidelines for cleaning front panel:**

- Use clean soft cloths or sponges for application of cleaners and again for washing and rinsing.
- Follow up the application with warm water rinse.
- Don't use abrasives or high alkaline cleaners.
- Don't leave cleaners on for long periods, wash immediately.
- Don't apply cleaners in direct sunlight or at elevated temperatures.
- Don't use scrapers, squeegees or razors.
- Don't clean with gasoline.

**Compatible Cleaners and Detergents:**

- Formula 409
- Top Job
- Joy
- Palmolive
- Windex with Ammonia D

**To Minimize Fine or Hairline Scratches:**

Mild automotive polish applied and removed with a soft, clean cloth will help fill scratches.

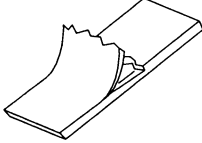
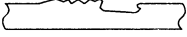
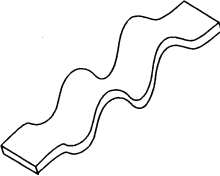
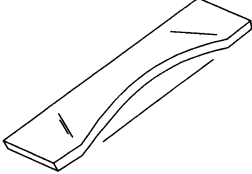
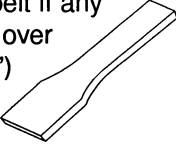

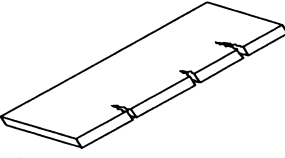
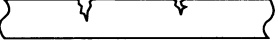
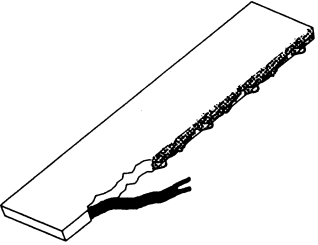
**Suggested Polishes:**

- Johnson Paste Wax
- Mirror Glaze #10 Plastic Polish (by Mirror Bright Polish Co.)
- Novus Plastics Polish #1, #2 (by Novus Inc.)

**Weekly Procedures**

1. Check all nuts and bolts for looseness. Tighten as required.
2. Inspect all belts (entire length) for any **non-uniformity and wear**.

Immediately replace belt if any of the following conditions are present:

	3D View	3D or Side View
<ul style="list-style-type: none"> <li>• <b>Peeling of the belt's skin.</b></li> </ul>		
<ul style="list-style-type: none"> <li>• <b>Wave in the belt.</b></li> </ul>		
<ul style="list-style-type: none"> <li>• <b>Belt is necked down (narrow section).</b></li> </ul>	<p>Replace belt if any section is over 1/32" (.03") narrower than rest of the belt.</p> 	 <p>Examine edge of belt (both sides). Replace belt if any section is narrower than the rest.</p>
<ul style="list-style-type: none"> <li>• <b>Cracks or splits.</b></li> </ul>		
<ul style="list-style-type: none"> <li>• <b>One or more strands of kevlar hanging out.</b> <i>NOTE: Also replace belt if there is a significant amount of frayed kevlar.</i></li> </ul>		

3. Some machines use cables in addition to belts. Inspect all cables for wear or damage and proper tension. When inspecting cables, run your fingers on the cable, paying particular attention to bends in the cable and attachment points.

**Replace all worn cables immediately. The following conditions may indicate a worn cable:**

- A tear or crack in the cable sheath that exposes the cable. See Figure 1.

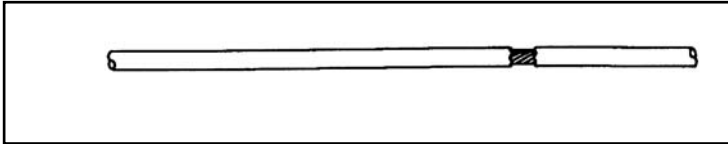


Figure 1

- A kink in the cable. See Figure 2.

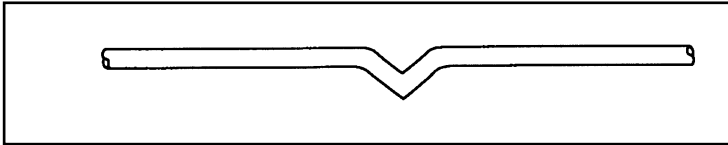


Figure 2

- A curled sheath. See Figure 3.

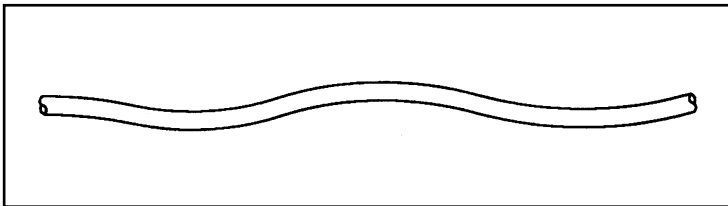


Figure 3

- "Necking", a stretched cable sheath. See Figure 4.

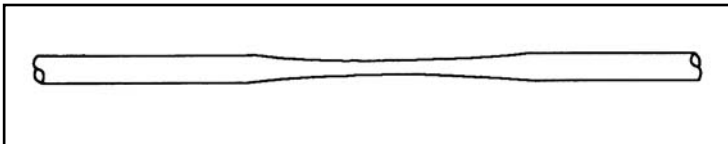


Figure 4

## ***Cybex Eagle 11000 Chest Press Owner's Manual***

4. Inspect bars and handles for wear, paying particular attention to tab area connecting points.

**Replace all worn handles immediately.**

5. Inspect snap links for proper latching (indicates wear).

**Replace all worn snap links immediately.**

6. Inspect for loose or worn grips.

**Replace all loose or worn grips immediately.**

7. Inspect all labeling for readability. This includes instructional placards, warning and caution decals.

**Replace all worn labeling immediately.**

8. Inspect all weight stacks for proper alignment and operation.

**Correct all improper alignment and operation issues immediately.**

9. Wipe Weight Stack Guide Rods clean over entire length. Lubricate with a light coat of medium weight automotive engine oil.

### ***Yearly Procedures***

1. **Replace all belts and cables at least annually.**

## **Environment**

**Static Electricity** - Depending upon where you live, you may experience dry air, causing a common experience of static electricity. This may be especially true in the winter time. You may notice a static build-up just by walking across a carpet and then touching a metal object. The same can hold true while working out on your unit. You may experience a shock due to the build-up of static electricity on your body and the discharge path of the unit. If you experience this type of situation, you may want to increase the humidity to a comfortable level through the use of a humidifier.

**Humidity** - The unit is designed to function normally in an environment with a relative humidity range of 30% to 75%.

**NOTE:** *Do not install or use the unit in an area of high humidity, such as in the vicinity of a steam room, sauna, indoor pool or outdoors. Exposure to extensive water vapor, chlorine and/or bromine could adversely affect the electronics as well as other parts of the machine.*

**Temperature** - The unit is designed to function normally in an environment with an ambient temperature range of 50°F (10°C) to 104°F (40°C) degrees.

## **Storage**

**Humidity** - The unit can be shipped and stored in an environment with a relative humidity range of 10% to 90%.

**NOTE:** *Do not store the unit in an area of high humidity, such as in the vicinity of a steam room, sauna, indoor pool or outdoors. Exposure to extensive water vapor, chlorine and/or bromine could adversely affect the electronics as well as other parts of the machine.*

**Temperature** - The unit can be shipped and stored in an environment with an ambient temperature range of 32°F (0°C) and 140°F (60°C) degrees.

***Cybex Eagle 11000 Chest Press Owner's Manual***

## 6 - Service

Please refer to the next several pages for parts lists, exploded-view diagrams.



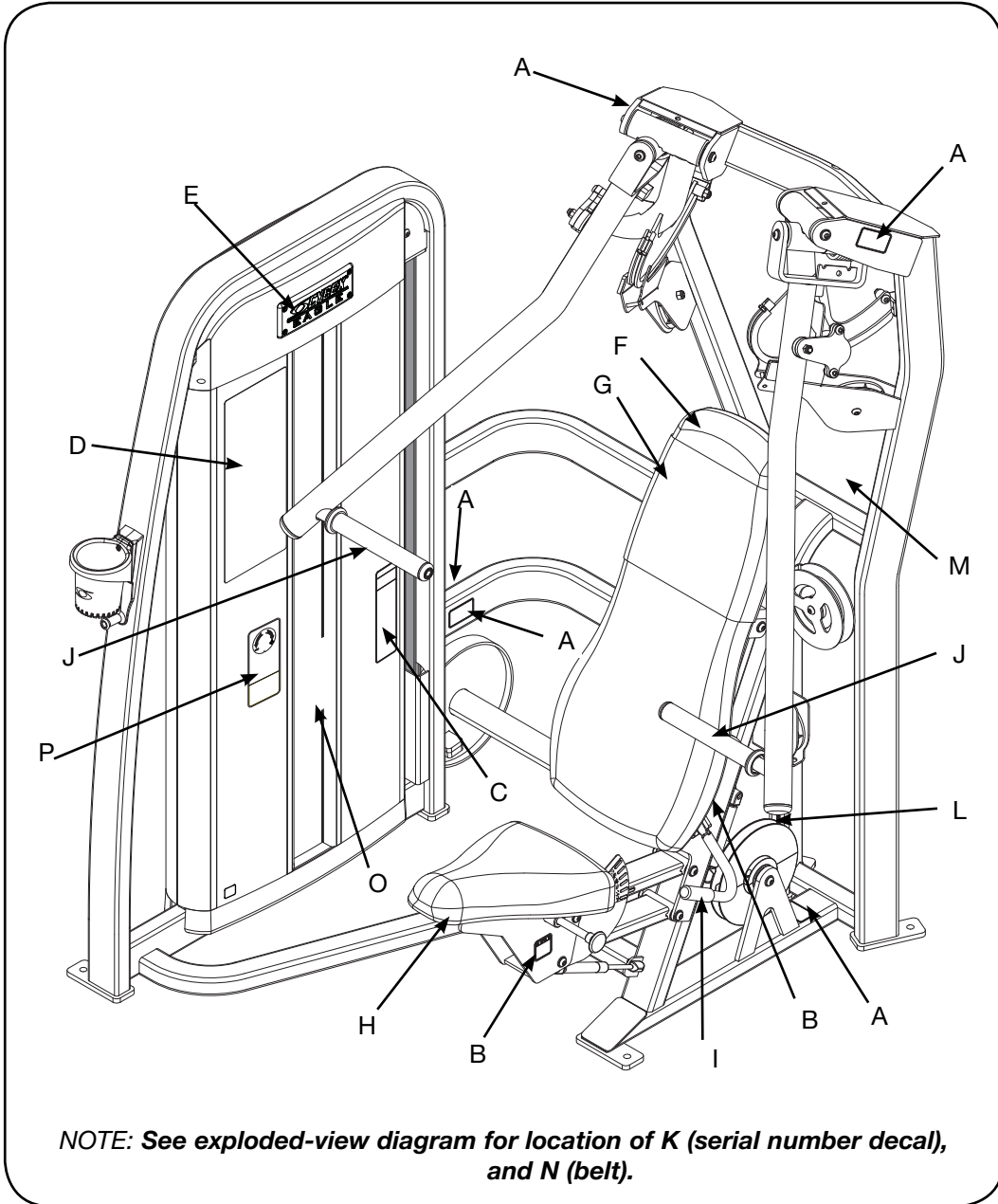
***NOTE:** All inspections and repairs must be performed by trained service personnel only.*

**Cybex will void warranty if non-Cybex replacement parts are used.**

***This page intentionally left blank***

# CHEST PRESS

PRODUCT NO. 11000



**NOTE: See exploded-view diagram for location of K (serial number decal), and N (belt).**

DESCRIPTION	PART NO.	DESCRIPTION	PART NO.
A. Caution Decal .....	4000Y316	I. Grip.....	11090-385
B. Caution Decal .....	4520-362	J. Grip.....	4605-502
C. Warning Decal .....	4605-381	K. Serial Number Decal	
D. Placard Decal.....	11000-610	L. Cable Sub Assembly.....	11000-002
E. Eagle Plaque .....	11040-789	M. Cable Sub Assembly.....	11000-003
F. Back Pad w/Wear Cover ...	4800-180	N. Belt .....	GB000202
G. Wear Cover .....	4800-183	O. Weight Selector Pin.....	BH030207
H. Seat Pad .....	4800-172	P. Increment Weight Decal.	11000-407

**Cybex Eagle 11000 Chest Press Owner's Manual**

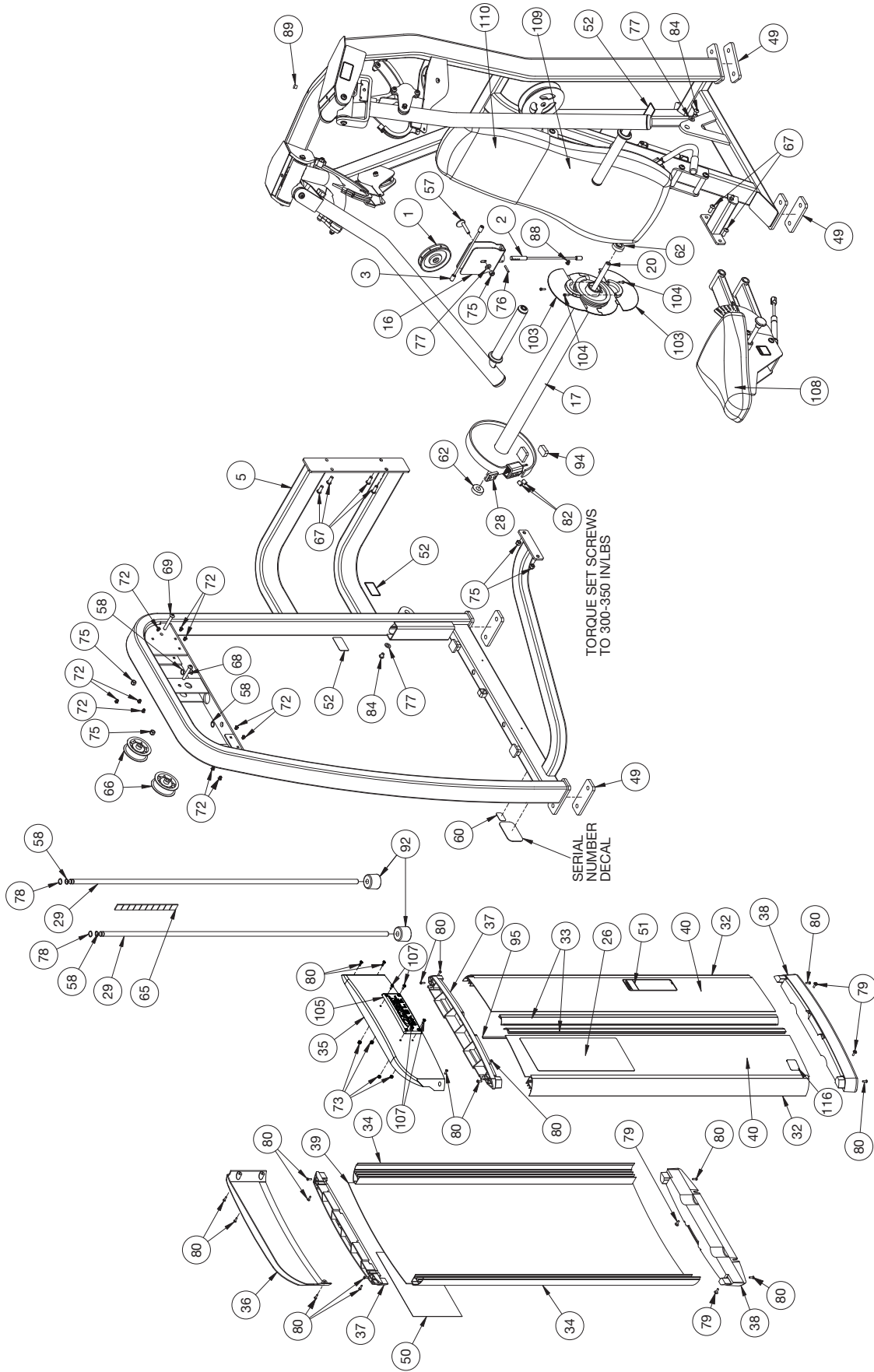
ITEM	QTY	PART NO.	DESCRIPTION
57	1	8650-204	P/CAM BOLT
58	4	BR030214	RETAINING RING, .625 DIA
59	2	BS070201	COM SPRING .56 x .66 1.50 LG
60	1	CM000211	DECAL, PATENT PENDING
61	2	EZ000006	GAS SPRING 250N
62	10	FB030232	BEARING, RADIAL 17 mm EXTEN RACE
63	2	FB050211	BRG FLG .38 X .50 .25 LG
64	16	FB130207	BRG FLG 17mm X 19mm X 25mm
65	100"	GB000202	BELT .95 WIDE
66	2	GP000209	PULLEY ASSEMBLY-3.50
67	7	HC700417	BHSCS .375-16 X 1.00
68	1	HC700428	BHSCS .375-16 X 2.25
69	1	HC700430	BHSCS .375-16 X 2.50
70	1	HD300312	S BOLT .250 X .500 .190-10-24
71	4	HF449063	INSERT 3/4 X 1/4-20
72	10	HF540200	GROMMET, NYLON
73	5	HN575100	LOCKNUT .190-No 10-24
74	4	HN-60065	NUT, HEX SELF- LOCKING .312-18 BLK ZINC
75	21	HN704901	LOCKNUT, .375-16 NYLON
76	1	HP286819	SPIRAL PIN .188 X 1.12
77	28	HS347600	WASHER, SAE .375
78	2	HS407100	WASHER, SPRING .650 ID x .790 OD x .062 THK
79	4	HT102214	PHIL, HEX, WASHER HD, TYPE 23, 10-24
80	18	HT542514	PN HD PHIL SC # 8 X .625 BLK
81	4	HX-60184	BALL STUD, .312 - 18 UNC x 10 mm
82	2	HY740000	SET SCREW
83	4	JC620415	BHSCS .250-20 X .75
84	26	JC700412	BHSCS .375-16 X .50
85	10	JC700420	BHSCS .375-16 X 1.25
86	2	JC700422	BHSCS .375-16 X 1.50
87	4	JC700424	BHSCS .375-16 X 1.75
88	3	PN149101	CLAMP, HOSE, SNAP GRIP
89	3	PP080207	INSERT, PLASTIC .437 DIA 11 GA
90	2	PP080226	INSERT, DOMED PLASTIC 2.00, RIB
91	2	PR060003	BUMPER, RECESS
92	2	PR060005	BUMPER, WEIGHT
93	2	4605-502	GRIP 1.38 OD X .94 ID
94	3	PU060201	BUMPER
95	45.38	PR250203	STRIP, FOAM .12 X .25 X ROLL
96	2	11000-394	DECAL, INDICATOR
97	1	11000-396	DECAL, SEAT ADJUSTING
98	1	11000-397	DECAL, SEAT ADJUSTING
99	4	JS347400	LOCKWASHER, INT TOOTH .375
100	1	HN664900	NUT, HEX SELF-LOCKING .312-18 ZINC
101	1	HS760100	SPRING RETAINING WASHER
102	1	JD343320	S BOLT .375 X 1.25 .312-18
103	4	11090-403	CAM SHEILD
104	4	HC572814	SHCS .190-10-24 X .625
105	1	11040-789	EAGLE PLAQUE
106	1	11020-334	SHIM, STOP BLOCK (up to 3 per side may be used)
107	4	HT572512	TAP SC NO. 10-24 X .50 PN HD PHIL
108	1	4800-172	SEAT PAD

ITEM	QTY	PART NO.	DESCRIPTION
1	5	08014	PULLEY ASSEMBLY - 4.50
2	1	11000-002	CABLE
3	1	11000-003	CABLE
4	1	11000-200	FRAME
5	1	11000-201	WEIGHT FRAME
6	1	11000-202	PIVOT, LH
7	1	11000-203	PIVOT, RH
8	1	11000-204	SEAT BACK
9	1	11000-205	SEAT BOTTOM
10	1	11000-206	SEAT BOTTOM LINK
11	1	11000-207	REAR SEAT LINK
12	1	11000-208	FRONT SEAT LINK
13	1	11000-209	DETENT HANDLE
14	1	11000-210	ARM LH
15	1	11000-211	ARM RH
16	1	11000-212	FLOATING PULLEY
17	1	11000-213	PULLEY SHAFT
18	2	11000-303	SPRING, TORSION
19	2	11000-365	SHAFT, SECONDARY PIVOT
20	1	11000-366	SHAFT, CROSS
21	1	11000-376	THREADED STOP
22	2	11000-384	BLOCK, STOP
23	2	11000-389	ENDCAP, BEARING HOUSING
24	4	11000-390	VINYL CAP
25	4	11000-392	STOP PLATE
26	1	11000-610-X*	PLACARD, EAGLE CHEST PRESS
27	1	11000-999-X*	OWNER'S MANUAL
28	1	11040-301	CLAMP BLOCK INSERT
29	2	11040-401	WT ROD .625 X 47.50
30	2	11040-409	MOLDED BUMPER PAD
31	1	11040-440	KNOB
32	2	11040-750	EXT INC WT CHANNEL
33	2	11040-754	EXTRUDED GUARD
34	2	11040-751	EXT INC WT CHANNEL
35	1	11040-770	COVER, TOP
36	1	11040-768	COVER, TOP
37	2	11040-776	CHASSIS
38	2	11040-777	TRAY, BOTTOM
39	1	11040-760	PANEL, SHROUD BACK
40	2	11040-762	PANEL, SHROUD FRONT
41	2	11040-560	DECAL, WEIGHT PLATE (10 - 290)
42	1	11050-205	LINK
43	8	11050-375	PIVOT PIN
44	2	11050-409	PLASTIC SPACER
45	1	11090-314	P/PIN,DETENT
46	2	11090-370	SHAFT, PIVOT
47	2	11090-376	RING, HANDLE GRIP
48	1	11090-385	GRIP
49	5	11090-392	FOOT COVER
50	1	3900-441	DECAL, CYBEX INTERNATIONAL
51	1	4605-381-X*	WARNING LABEL
52	5	4000Y316-X*	DECAL, CAUTION
53	2	4520-362-X*	DECAL, CAUTION
54	2	4605-550	PLUG .250-20 SMALL
55	1	4628-312	P/PIN,DETENT
56	1	51198	WARRANTY BOOKLET (NOT SHOWN)

**\*Language Key**  
**1-German**  
**2-French**  
**3-Spanish**  
**English**  
**6-Japanese**  
**7-Swedish**  
**8-Russian**

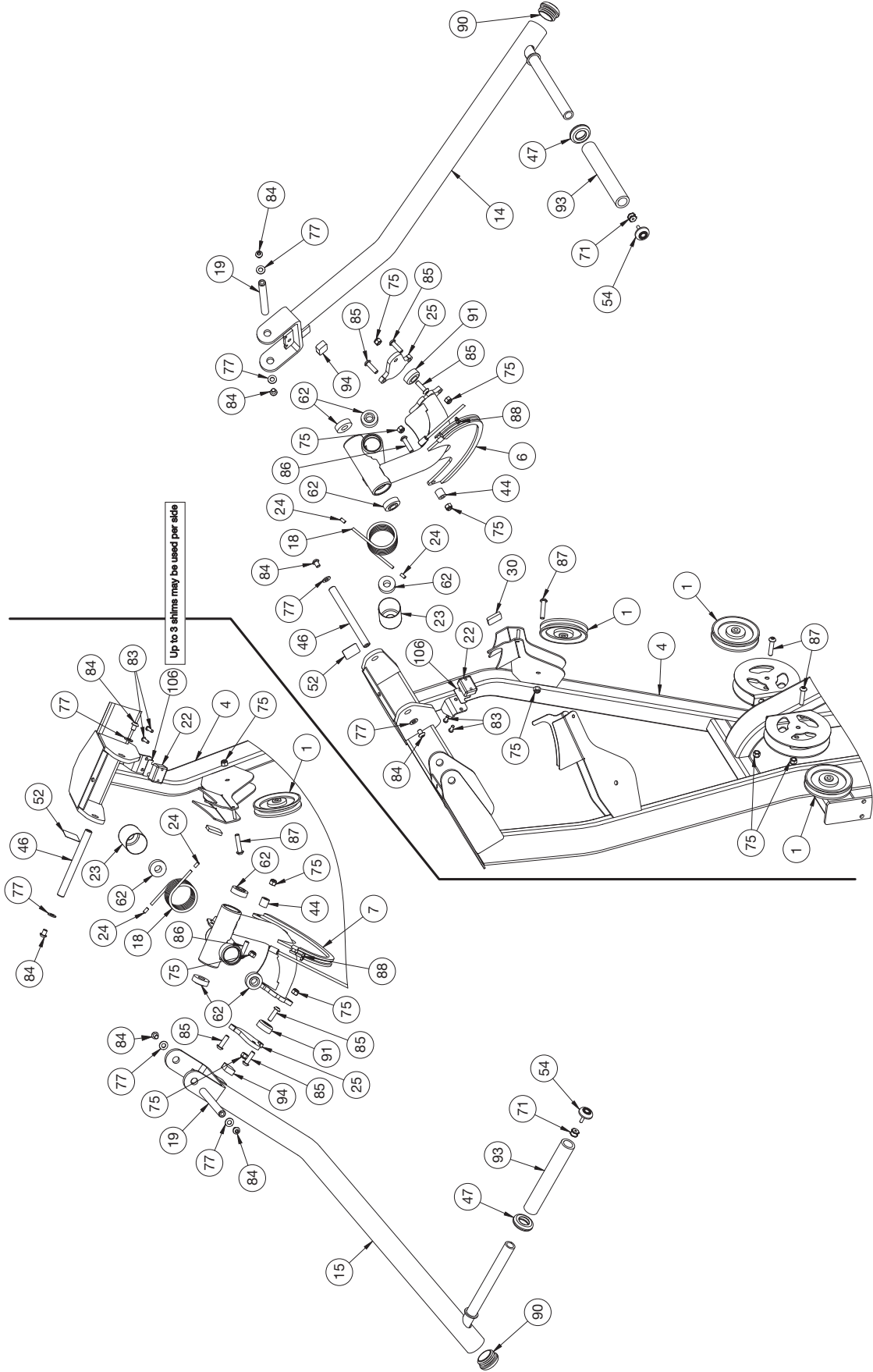
ITEM	QTY	PART NO.	DESCRIPTION
109	1	4800-180	BACK PAD W/WEAR COVER
110	1	4800-183	WEAR COVER
111	1	13000-401	MOUNT, WATER BOTTLE HOLDER
112	1	13000-400	HOLDER, WATER BOTTLE
113	1	HT552515	TAP SC NO 8-16 X.75
114	2	HT512517	TAP SC 10-24 X 1.00 TYPE WB
115	1	11000-407-X*	DECAL, INCREMENT WEIGHT
116	1	11040-790	DECAL, MADE IN USA

11000 CHEST PRESS MAIN ASSEMBLY DETAIL

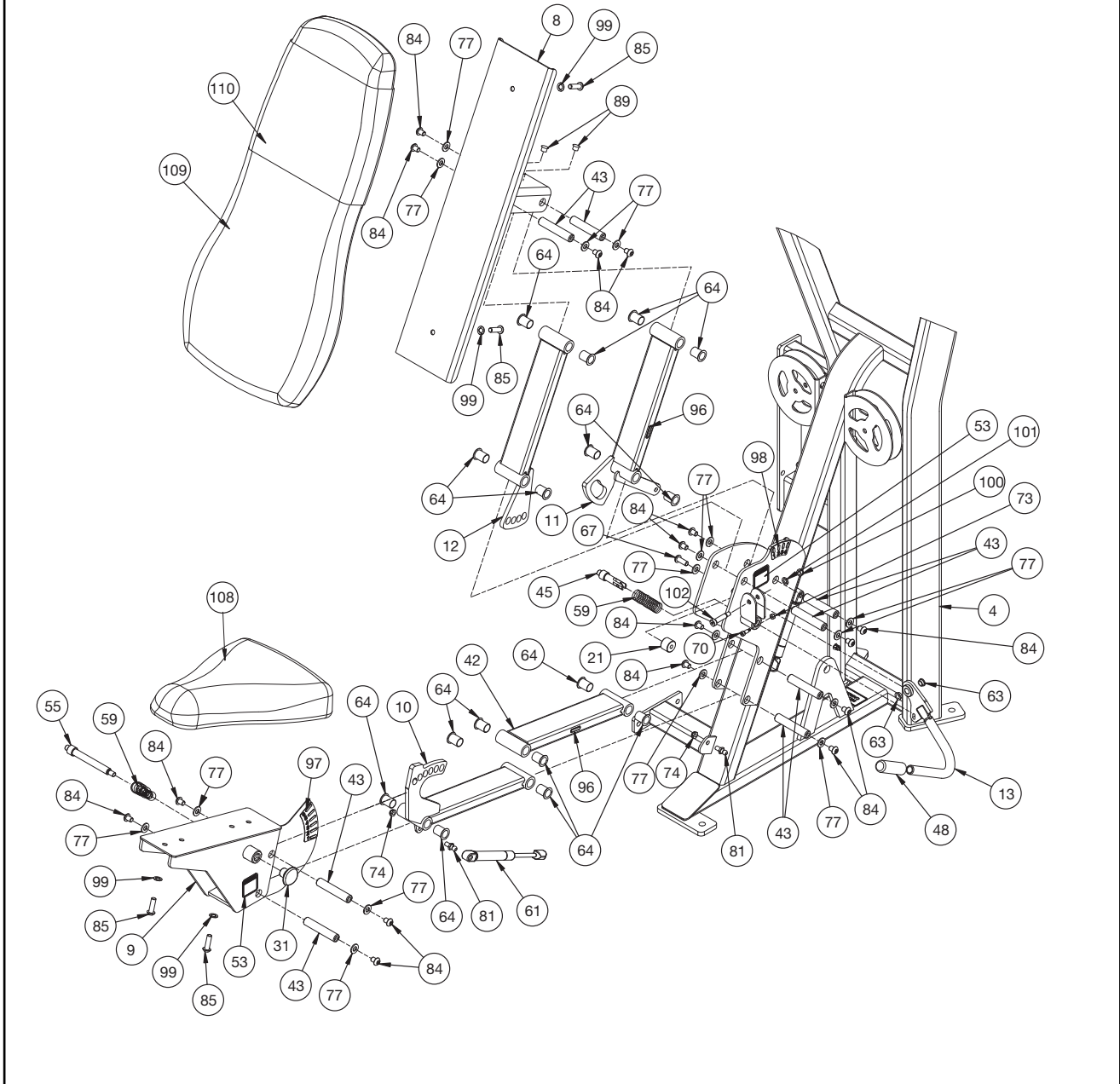


RIGHT ARM ASSEMBLY DETAIL

LEFT ARM ASSEMBLY DETAIL



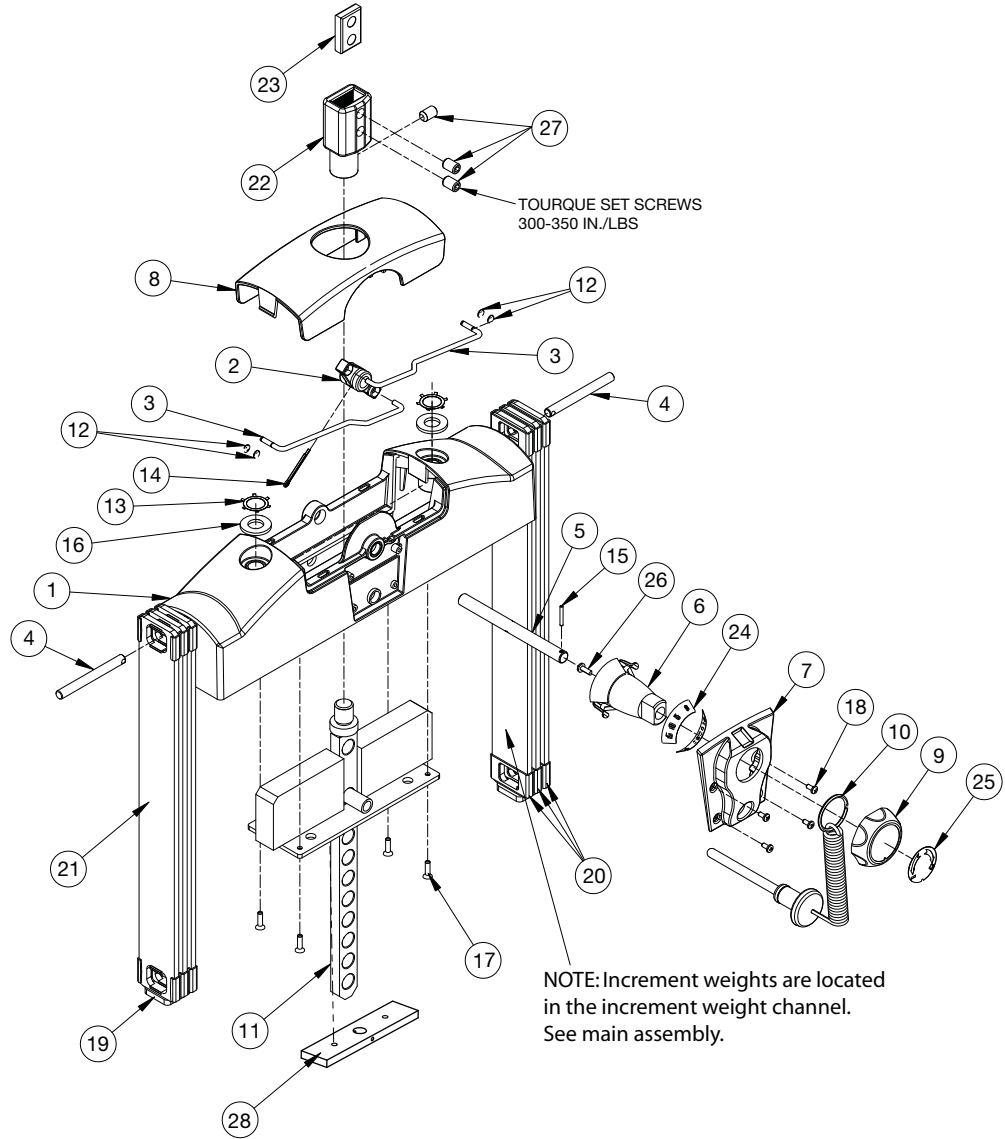
SEAT ASSEMBLY DETAIL



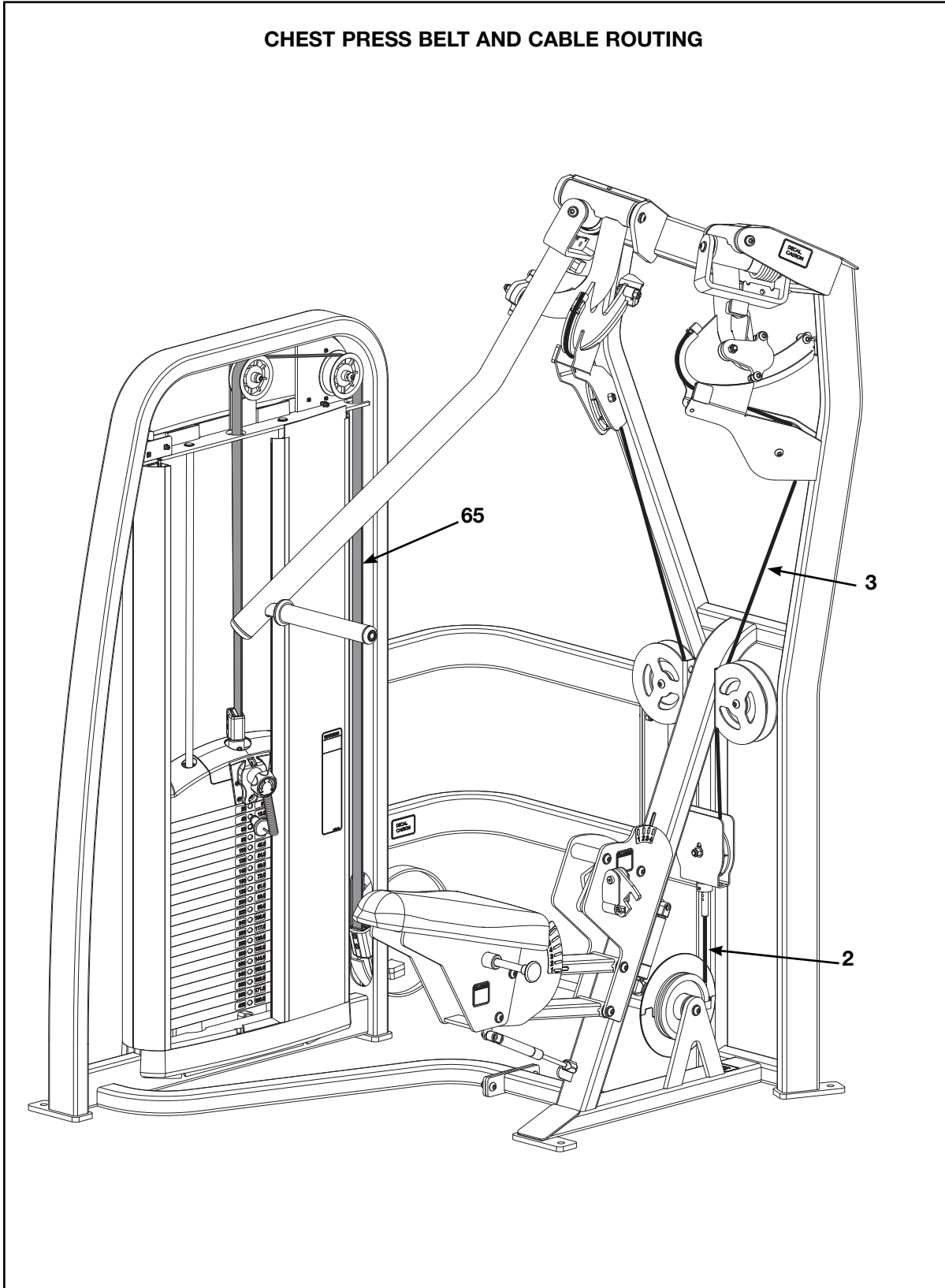
**CHEST PRESS TOP WEIGHT ASSEMBLY**

ITEM	QTY	PART NO.	DESCRIPTION
1	1	11040-366	Top Weight Assembly, Molded
2	1	11040-367	Hub, Molded
3	2	11040-369	Rod, Linkage
4	2	11040-370	Pin
5	1	11040-427	Rod
6	1	11040-426	Stem
7	1	11040-424	Cover Plate
8	1	11040-416	Cover, Top Weight
9	1	11040-425	Knob
10	1	BH030207	Pin, Weight Selector
11	1	4700-251	Lifting Post 15
12	4	BR030209	External Retaining Ring .188
13	2	BR030220	Internal Retaining Ring 1.250
14	1	HP016820	Cotter Pin .125 X 1.25
15	1	HP266765	Roll Pin, .125 X .938
16	2	HS720004	Felt Washer, .641 1.250 .125 T

ITEM	QTY	PART NO.	DESCRIPTION
17	4	HT562715	Tap SC NO 10 x .750 F Phil
18	4	HT582510	Tap SC NO 10 x .375 PN HD Phil
19	2	11040-409	Molded Bumper Pad
20	12	11040-572	Guard, Increment Weight
21	6	11040-573	Weight Increment
22	1	11040-216	Belt Clamp
23	1	11040-301	Clamp Block Insert
24	1	11040-428	Adjustment Decal
25	1	11040-429	Rotation Decal
26	1	HT552512	Screw, Pan HD Phil HD Self Tapping 8-16 x .50, Type WB
27	3	HY740000	Set Screw
28	14	4000C101	Weight Stack Plate
29	1	4701-013	Weight Pack (Not Shown)



**CHEST PRESS BELT AND CABLE ROUTING**







10 Trotter Drive Medway, MA 02053 • 508-533-4300 • FAX 508-533-5183  
[www.cybexinternational.com](http://www.cybexinternational.com) • [techhelp@cybexintl.com](mailto:techhelp@cybexintl.com)