



Cybex Eagle® Leg Extension
Owner's and Service Manual
Strength Systems
Part Number 11050-999 J



**Cybex Eagle® Leg Extension
Owner's and Service Manual**
Strength Systems
Part Number 11050-999 J

Cybex® and the Cybex logo are registered trademarks of Cybex International, Inc.
Eagle® and its mark are registered trademarks of Cybex International, Inc.

DISCLAIMER: Cybex International, Inc., makes no representations or warranties regarding the contents of this manual. We reserve the right to revise this document at any time or to make changes to the product described within it without notice or obligation to notify any person of such revisions or changes.

© Copyright 2010, Cybex International, Inc. All rights reserved.

Printed in the United States of America.
10 Trotter Drive Medway, MA 02053 • 508-533-4300 • FAX 508-533-5183
www.cybexinternational.com • techhelp@cybexintl.com • 11050-999 J • March 2010

Table of Contents

1 Safety	
Safety	1-1
Warning/Caution Decals	1-2
Regular Maintenance Activities	1-5
Using Proper Form	1-5
2 Exercises	
General Exercise Guidelines	2-1
3 Customer Service	
Contacting Service	3-1
Ordering parts	3-1
Return Material Authorization (RMA)	3-1
Damaged Parts	3-2
4 Assembly	
Assembly	4-1
5 Maintenance	
Daily Procedures	5-1
Weekly Procedures	5-4
Yearly Procedures	5-6
Environment	5-7
Storage	5-7
6 Service	
Parts Lists	6-4
Exploded-View Diagram	6-5

1 - Safety

Safety


Read the Owner's Manual carefully before assembling, servicing or using the equipment.

It is the responsibility of the facility owner and/or owner of the equipment to instruct users on proper operation of the equipment and review all labels.



WARNING: Serious injury could occur if these safety precautions are not observed:

User Safety Precautions

- Obtain a medical exam prior to beginning an exercise program.
- Read and understand warning labels and user manual prior to exercising. Obtain instruction prior to use. 
- Keep body and clothing free from and clear of all moving parts.
- Inspect machine prior to use. **DO NOT** use if it appears damaged or inoperable.
- **DO NOT** attempt to fix a broken or jammed machine. Notify floor staff.
- Use the machine only for the intended use. **DO NOT** modify the machine.
- Be sure that the weight pin is completely inserted. Use only the pin provided by the manufacturer. If unsure seek assistance.
- Never pin the weights in an elevated position. **DO NOT** use the machine if found in this condition. See assistance from floor staff.
- Children must not be allowed near these machines. Teenagers must be supervised.
- **DO NOT** use if guards are missing or damaged.
- **DO NOT** use dumbbells or other incremental weights, except those provided by the manufacturer.
- Inspect all cables and belts and connections prior to use. **DO NOT** use if any components are worn, frayed or damaged.
- **DO NOT** remove any labeling from equipment. Replace any damaged labels.
- Stop exercising if you feel faint, dizzy or experience pain at any time while exercising and consult your physician.

Facility Safety Precautions

- Read the Owner's Manual carefully before assembling, servicing or using the equipment.
- Securely anchor each machine to the floor using the anchor holes provided in each machine.

NOTE: Cybex is not responsible for the actual anchoring of equipment. Consult with a professional contractor.

NOTE: Use fasteners having a minimum of 500 lbs. tensile capacity (3/8" grade 2 bolts or better).

NOTE: If legs/frame does not contact surface, **DO NOT** pull down with anchors. Shim any leg or frame not in contact with surface using flat washers.

Cybox Eagle 11050 Leg Extension Owner's Manual

- Make sure that each machine is set up and operated on a solid level surface. **Do not install equipment on an uneven surface.**
- Make sure that all users are properly trained on how to use the equipment.
- Make sure there is enough room for safe access and operation of the equipment.
- Perform regular maintenance checks on the equipment. Also pay close attention to all areas most susceptible to wear, including (but not limited to) cables, pulleys, belts and grips.
- Immediately replace worn or damaged components. If unable to immediately replace worn or damaged components then remove from service until the repair is made.
- Use only Cybox supplied components to maintain/repair the equipment.
- Keep a repair log of all maintenance activities.
- Inspect all cables and belts and connections prior to use. **DO NOT** use if any components are worn, frayed or damaged.

NOTE: *It is the sole responsibility of the user/owner or facility operator to ensure that regular maintenance is performed.*

Safety Guidelines And Practices

Cybox recommends that all fitness equipment be used in a supervised area. It is recommended that the equipment be located in an access controlled area. Control is the responsibility of the owner. The extent of control is at the discretion of the owner.

It is the responsibility of the purchaser/user of Cybox products to read and understand the owner's manual, and warning labels; as well as instruct all individuals, whether end users or supervising personnel, on proper usage of the equipment.

PROPER USAGE:

Use machine only as described in the manual. Failing to follow proper instructions may result in injury.

Do Not Lean Against or Pull On the framework, weight stack, or any component, whether machine is at rest or in use. Inappropriate or improper use may result in injury to users or third parties (bystanders).

Do not use machine if it is not located on a solid level surface or is improperly installed.

Provide an adequate safety perimeter between the machine, walls and other equipment to ensure that the facility has the proper clearance for usage and training.

SECURING EQUIPMENT:

The machine has holes in the feet, which allow for ease in anchoring to the floor. Cybox strongly recommends that, to eliminate rocking, tipping or falling over due to incorrect usage and misuse, equipment be secured to a solid, level surface.

1. The solid, level surface should not deviate more than 1/8" over a 10' distance or as defined and required by local building and architectural codes.
2. Anchoring of equipment must be completed by a qualified licensed contractor.

Cybox Eagle 11050 Leg Extension Owner's Manual

3. Anchoring holes are provided on the feet of the frame. All anchoring locations must be used when anchoring the equipment to the floor.
4. Due to the wide variation of flooring on which machines may be anchored or installed, verify anchoring method and anchoring fasteners with a qualified and licensed contractor.
5. A minimum pull out force of 220 lbs/100 kgs is required for each anchor position..
6. Do not use machine until it is properly anchored.

MAINTENANCE:

Preventative maintenance allows proper equipment operation and reduces the risk of injury. Perform the maintenance requirements as specified in the manual.

STANDARD COMPLIANCE:

Cybox products meet or exceed applicable ASTM and EN Standards.



Warning/Caution Decals


Warning decals indicate a potentially hazardous situation, which, if not avoided, could result in death or serious injury.

Caution decals indicate a potentially hazardous situation, which, if not avoided, could result in minor or moderate injury.

The warning and caution decals are shown on the following page. The diagrams following the decals show where each decal is located.

⚠ WARNING

SERIOUS INJURY
COULD OCCUR IF
THESE PRECAUTIONS
ARE NOT OBSERVED

1. Obtain a medical exam prior to beginning an exercise program.
2. Read and understand warning labels and user manual prior to exercising. Obtain instruction prior to use. 
3. Keep body and clothing free from and clear of all moving parts.
4. Inspect machine prior to use. DO NOT use if it appears damaged or inoperable.
5. DO NOT attempt to fix a broken or jammed machine. Notify floor staff.
6. Use the machine only for the intended use. DO NOT modify the machine.
7. Be sure that the weight pin is completely inserted. Use only the pin provided by the manufacturer. If unsure seek assistance.
8. Never pin the weights in an elevated position. DO NOT use the machine if found in this condition. Seek assistance from floor staff.
9. Children must not be allowed near this machine. Teenagers must be supervised.
10. DO NOT use if guards are missing or damaged.
11. DO NOT use dumbbells or other incremental weights, except those provided by the manufacturer.
12. Inspect all cables and belts and connections prior to use. DO NOT use if any components are worn, frayed, or damaged.
13. DO NOT REMOVE THIS LABEL. REPLACE IF DAMAGED.

4605-381-4 A



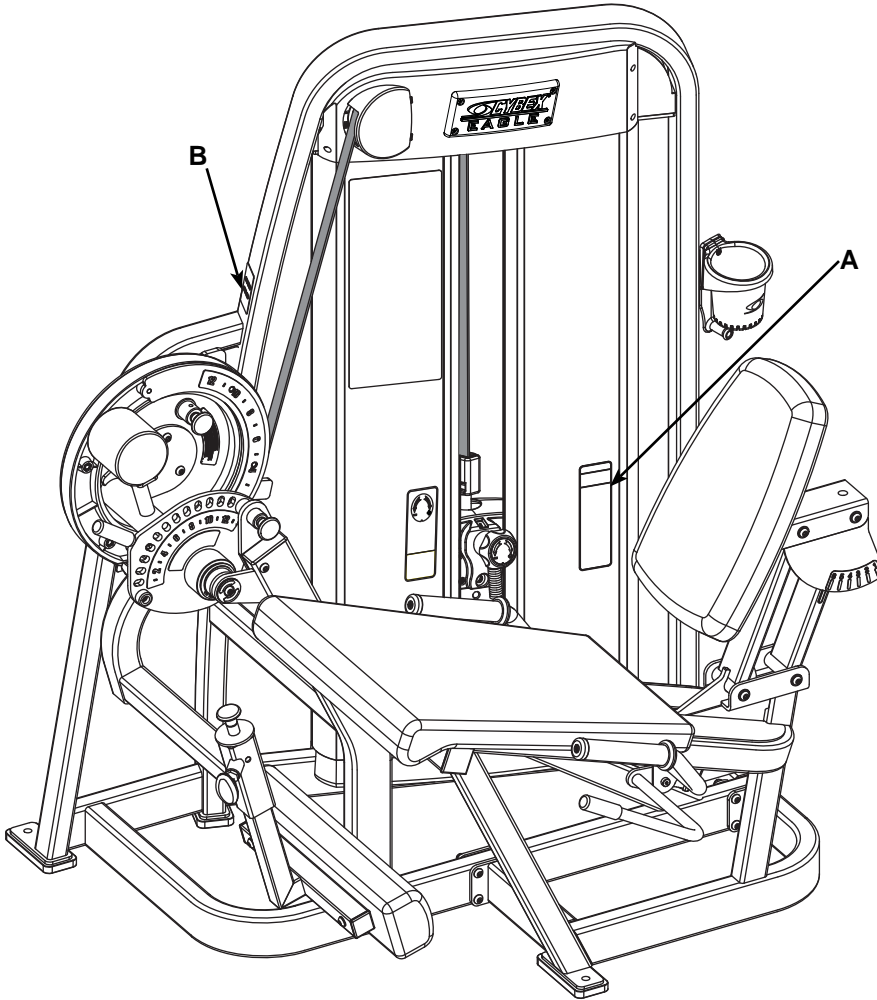
⚠ CAUTION



Keep away from moving parts. Failure to do so could result in personal injury.
8500-026-4



Leg Extension - 11050



DESCRIPTION	PART NO.
A. Warning Label	4605-381-4
B. Caution Decal	8500-026-4

Regular Maintenance Activities

Preventative maintenance activities must be performed to maintain normal operation of your equipment. Keeping a log sheet of all maintenance actions will assist you in staying current with all preventative maintenance activities. The preventative maintenance actions are described in detail in Chapter 5. Briefly, they include:

Daily

1. Clean upholstery.

Weekly

1. Inspect all nuts and bolts for looseness. Tighten as required.
2. Inspect all cables and belts for damage or wear (see Chapter 5). **If a cable or belt is worn or damaged, immediately discontinue use until cable or belt has been replaced.**
3. Check for worn handles, worn snap links, and worn warning labeling. Replace all worn parts immediately.
4. Inspect for loose or worn grips. Replace all loose or worn grips immediately.
5. Inspect weight stacks for proper alignment and operation. Correct all improper alignment and operation issues immediately.
6. Lubricate guide rods using automotive engine oil only.

Yearly

1. Replace all cables and belts at least annually.

Using Proper Form

Before working out, read and understand the exercises located on the placard and in Chapter 2.

2 - Exercise

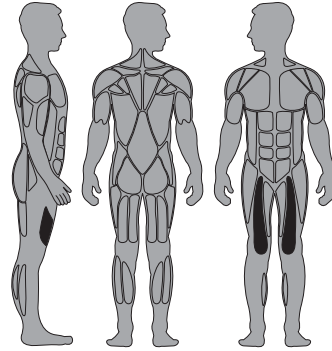
Intended Use

The intended use of this equipment is to aid or improve general physical fitness and exercise. For Commercial use.

Instructions

Read and understand all instructions and warnings prior to using this machine. See Chapter 1, Safety in the Eagle Owner's Manual or consult with floor staff.

MUSCLES USED



Quadriceps

START



FINISH



NOTE: Motion Developed: Knee Extension


NOTE: All adjustment points on the machine have yellow handles or knobs.

NOTE: See next page for "Set Up" and "Movement".

NOTE: Do not turn knob when weight stack is elevated.

Cybox Eagle 11050 Leg Extension Owner's Manual

Set Up

1. Adjust back pad so that when seated, your knees align with the machine's axis of rotation. 
2. Comfortably position shin pad and apply light pressure.
3. Grasp handles and stabilize body.

Movement

1. Push forward and up against the pad until your legs are straight in front of you.

3 - Customer Service

Contacting Service

Hours of phone service are Monday through Friday from 8:30 to 6:00 p.m. Eastern Standard Time.

For Cybox customers living in the USA, contact Cybox Customer Service at **888-462-9239**.

For Cybox customers living outside the USA, contact Cybox Customer Service at **508-533-4300** or fax **508-533-5183**.

Find information on the web at www.cyboxintl.com or by e-mail at techhelp@cyboxintl.com.

Ordering Parts

Fax order to **508-533-5183**. To speak with a customer service representative, call **888-462-9239** (for customers living within the USA) or **508-533-4300** (for customers outside the USA). You may also contact us through e-mail at techhelp@cyboxintl.com

Having the following information ready when calling will assist our Cybox representatives in serving you.

- **Unit Serial Number**
- **Product Name**

The unit serial number and product name can be found on the serial number decal. See Chapter 6 for exact location of serial number decal.

- **Part Description**
- **Part Number**

Part descriptions and part numbers are located in Chapter 6 of this manual.

- **Shipping Address**
- **Contact Name**

Return Material Authorization (RMA)

In addition to your shipping address and contact name, your account number is helpful but not required.

The Return Material Authorization (RMA) system outlines the procedures to follow when returning material for placement, repair or credit. The system assures that returned materials are properly handled and analyzed. Follow the following procedures carefully.

Contact your authorized Cybox dealer on all warranty-related matters. Your local Cybox dealer will request a RMA from Cybox, if applicable. Under no circumstances will defective parts or equipment be accepted by Cybox without proper RMA and an Automated Return Service (ARS) label.

Cybox Eagle 11050 Leg Extension Owner's Manual

1. Call the Customer Service Hot Line listed above for the return of any item that is defective.
2. Provide the technician with a detailed description of the problem you are having or the defect in the item you wish to return.
3. Provide the model and serial number of your Cybox equipment.
4. At Cybox's discretion, the technician may request that you return the problem part(s) to Cybox for evaluation and repair or replacement. The technician will assign you a RMA number and will send you an ARS label. The ARS label and the RMA numbers must be clearly displayed on the outside of the package that contains the item(s) to be returned. Include the description of the problem, the serial number of the equipment and the name and address of the owner in the package along with the part(s).
5. Forward the package through UPS to Cybox.
Attn: Customer Service Department
Cybox International, Inc.
1975 24th Ave SW
Owatonna, MN 55060

NOTE: Merchandise returned without an RMA number on the outside of the package or shipments sent COD will not be accepted by the Cybox receiving department.

Damaged Parts

Materials damaged in shipment should not be returned for credit. Shipping damages are the responsibility of the carrier (UPS, Federal Express, trucking companies, etc.)

Apparent Damage - Upon receipt of your shipment, check all items carefully. Any damage seen with a visual check must be noted on the freight bill and signed by the carrier's agent. Failure to do so will result in the carrier's refusal to honor your damage claim. The carrier will provide you with the required forms for filing such claims.

Concealed Damage - Damage not seen with a visual check upon receipt of a shipment but notices later must be reported to the carrier as soon as possible. Upon discovery of the damage, a written or phone request to the carrier asking them to perform an inspection of the materials must be made within ten days of the delivery date. Keep all shipping containers and packing materials as they will be needed in the inspection process. The carrier will provide you with an inspection report and the necessary forms for filing a concealed damage claim. Concealed damage claim is the carrier's responsibility.

4 - Assembly

TOOLS REQUIRED

- 7/32" Allen wrench
- 3/4" Allen wrench
- 9/16" Wrench
- External snap ring pliers
- Phillips screwdriver
- Medium weight automotive engine oil
- Torque Wrench

NOTE: *Two people will be required for this procedure.*

NOTE: *It is the responsibility of the facility owner/owner of the equipment to ensure that there is appropriate clearance around each machine to allow for safe use and passage.*

- 1. Read and understand all instructions thoroughly before starting any of the procedures listed on this instruction sheet.**
- 2. Verify you have received the appropriate configuration.**
 - A. Verify that you received the correct color machine that you ordered.
 - B. Verify you received weight plates and weight plate decals.
 - C. Verify you received the Cybox Eagle Leg Extension Owner's Manual.
 - D. Verify you received the warranty sheet.
- 3. Move to desired location.**
 - A. Note the dimensions of the machine:
idle - 61 L x 46 W x 58 H inches
154.94 L x 116.84 W x 147.32 H cm
in use - 61 L x 46 W x 58 H inches
154.94 L x 116.84 W x 147.32 H cm
Machine Weight - 623 lbs. (282.58 kg)
 - B. Determine if you can move your machine through the required doorway(s).
 - C. If the machine fits through the doorway(s), move machine to desired location and skip to step 5.
 - D. If weight stacks need to be installed proceed to step 6.
 - E. If the machine does not fit through the door-way(s) then see step 4.
- 4. Doorway Instructions.**

NOTE: *If your machine fits through the doorway then skip step 4. If your machine does not fit through the doorway then perform step 4.*

 - A. Carefully remove each (standard) cone- shaped shipping support using a 3/4" socket or wrench.

- B. With an assistant, carefully remove the ten Button Head Socket Cap Screws (BHSCS) securing the two halves of the frame. See Figure 1.
- C. Carefully move each half through the door-way to the desired location.
- D. With an assistant, carefully attach each half together using the ten BHSCS removed in step 4B. See Figure 1.
- E. Continue on with step 5A.

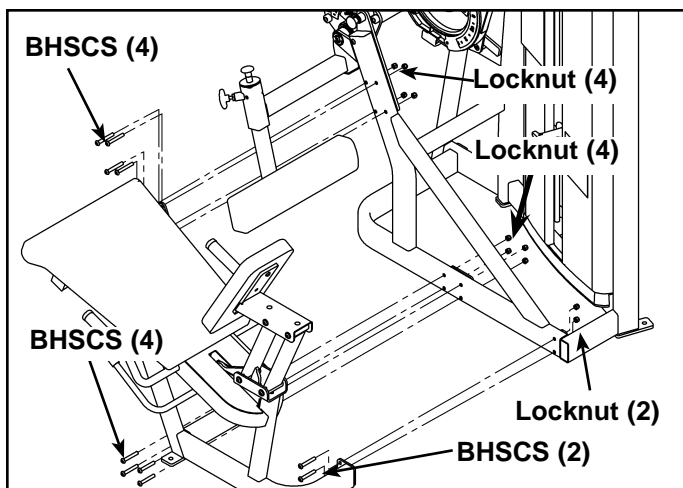


Figure 1

5. Replace shipping feet and remove the back shrouds.

- A. Carefully remove each (standard) cone-shaped shipping support (using a 3/4" socket or wrench).
- B. Carefully place rubber feet (supplied with machine) on each foot of the frame.
- C. Cut shipping tie securing top weight.
- D. Lift top weight and turn the Increment Weight Adjusting Knob to select all 15 lbs. (three increment weights each side).
- E. Remove the three Phillips head screws securing the top (back) shroud. See Figure 2.
- F. Loosen bottom two screws shown in Figure 3.
NOTE: Do not remove the bottom two screws.
- G. Remove the top two screws securing the back shroud. See Figure 4.
- H. Carefully slide rear shroud upward and remove.

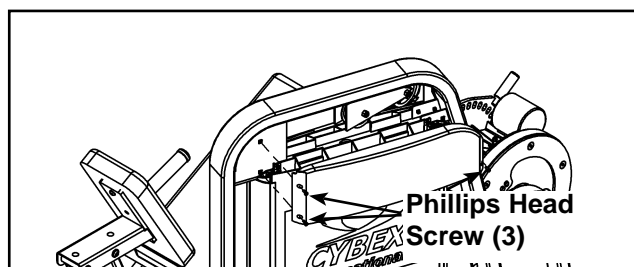


Figure 2

6. Install the weight stack.

- A. Note how the increment weights are installed.
- B. With an assistant holding the increment weights, move the adjusting knob to 0 lbs. and remove all six increment weights (three each side).

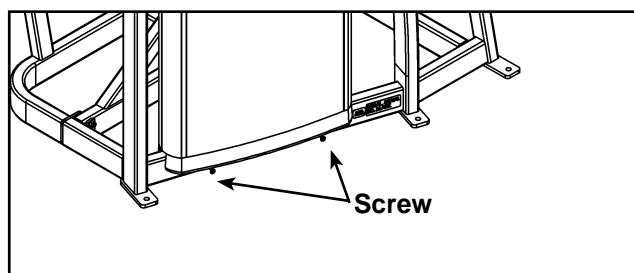


Figure 3

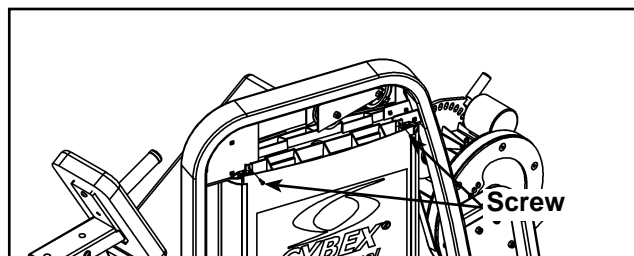


Figure 4

- C. Using an external snap ring pliers, remove the upper snap ring from one of the guide rods and carefully lower the guide rod. See Figure 5.
- D. Remove lower snap ring and wave washer from the guide rod. Repeat steps 6C and 6D to remove both snap rings from other guide rod.
- E. If possible, lean guide rods outward, away from machine in order to provide the most room for installing weight plates.
- F. Slide top weight up and out of machine and carefully set it aside.
- G. Wipe guide rods clean over entire length. Lubricate with light coating of medium weight automotive engine oil.
- H. Carefully install each weight plate one at a time. **NOTE:** When installing weight plates, position plates so wide edges of bushing face upward and narrow edges of bushing face downward. See Figures 6A and 6B.

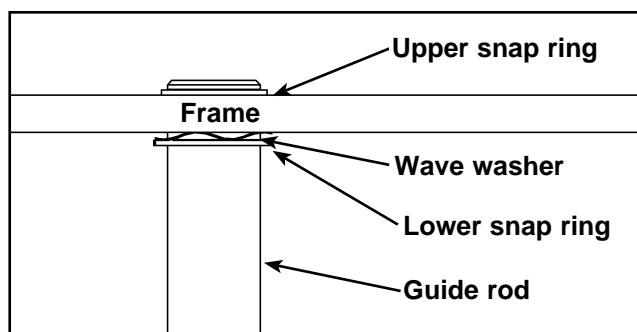


Figure 5

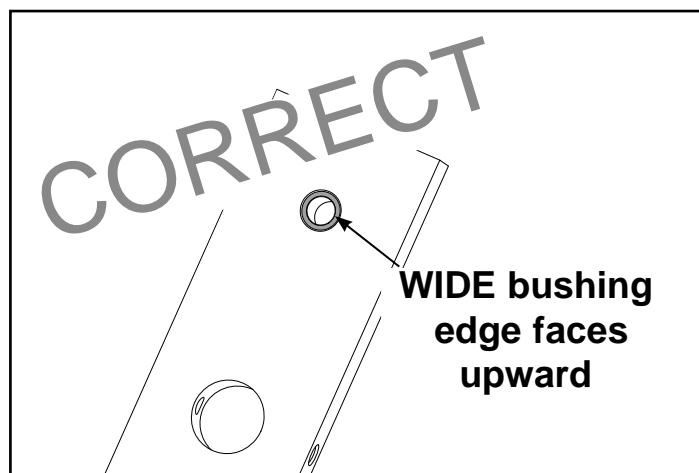


Figure 6A

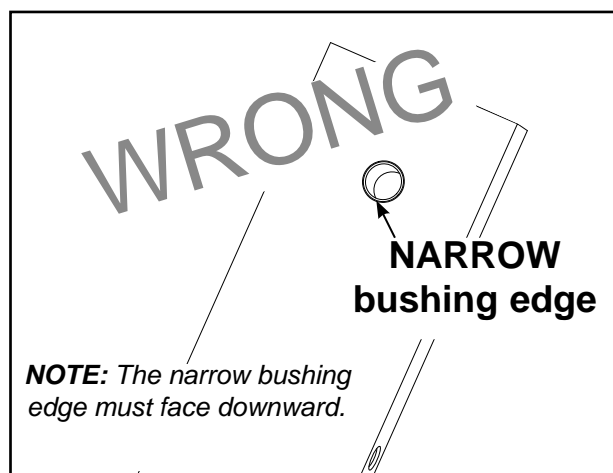


Figure 6B

- I. Slide top weight onto guide rods.
- J. Place lower snap ring and wave washer onto guide rod (about 3" from the top end of guide rod).
- K. Raise guide rod up through mounting hole and install the upper snap ring.
- L. Lower guide rod and secure lower snap ring. Repeat steps 6J - 6L for the other guide rod.

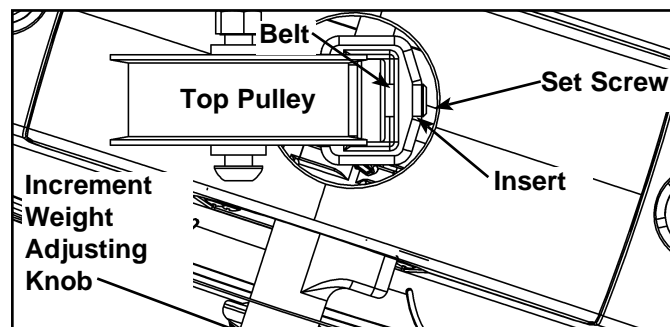


Figure 7

7. Belt Routing.

- A. Verify belt is routed through top of pulley bracket and then route end of belt down to the top weight.
- B. Verify the belt clamp on the top weight is positioned properly with the top pulley. **NOTE:** The belt must have a straight path from the pulley to the belt clamp. See Figure 7. **NOTE:** Figure 7 shows the top view, looking from the top pulley down to the top plate.

- C. Slide belt through slot in belt clamp.
- D. Verify belt and insert are installed properly, as shown in Figure 8A. **NOTE:** Do not install the insert backwards as shown in Figure 8B.
- E. Pull belt tight and secure belt to clamp with the two set screws. **NOTE:** Torque set screws 300-350 in./lbs. See Figure 9.
- F. Place weight stack pin in each plate to verify proper installation.
- G. Without selecting any resistance, lift top weight up and down (simulating normal operation).
- H. Have an assistant verify that the belt is moving smoothly and is routed straight from the top pulley bracket to the top weight belt clamp.
- I. Reinstall the six increment weights that were removed in step 6B. See Figure 10.
- J. Turn the Increment Weight Adjusting Knob to select all 15 lbs.

Correct belt routing

Wrong belt routing

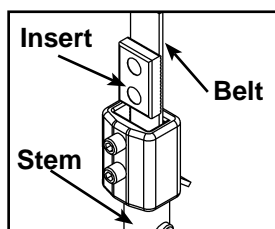


Figure 8A

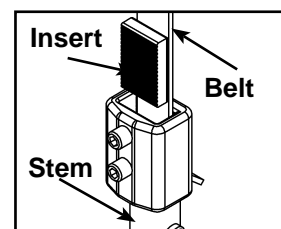


Figure 8B

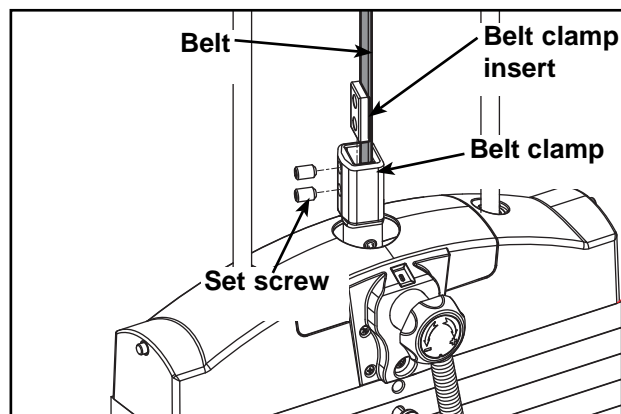


Figure 9

8. Install back shrouds.

- A. Carefully place shroud assembly back into position on the two bottom screws. See Figure 11.
- B. Install the top two screws securing the back shroud assembly. See Figure 12.

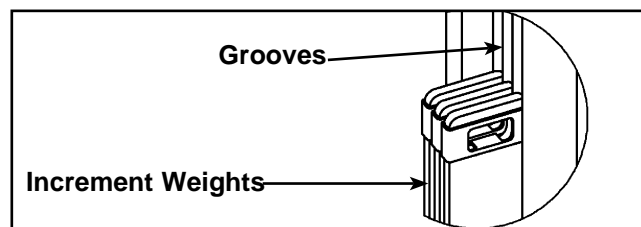


Figure 10

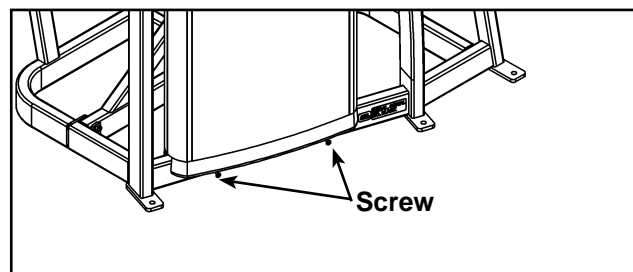


Figure 11

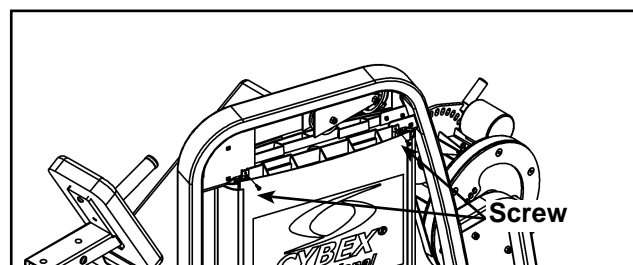


Figure 12

- C. Install the three Phillips head screws securing the top (back) shroud. See Figure 13.

9. Install weight plate decals.

NOTE: You have the option to use pounds, kilograms or both.

- A. Slowly and carefully peel off back side of decal. See Figure 14. **NOTE:** When peeling off back cover, make sure that the decals remain attached to the front sticker.
- B. Align holes in decal with appropriate holes in weight stack. **NOTE:** Do not allow the adhesive to touch weight stack at this time.
- C. Insert a guide pin through each hole of the template. **NOTE:** A guide pin can be anything that fits through the weight stack hole, such as a weight stack selector pin.
- D. Carefully align decal and rub it onto weight plates.
- E. Carefully remove front side, leaving decals adhering to weight plates. See Figure 15.

NOTE: It is important that you perform regular inspection and maintenance activities on your equipment. See the CYBEX Eagle Owner's Manual for inspection and maintenance activities. If you do not have a CYBEX Eagle Owner's Manual or if you have any questions or concerns, call CYBEX Customer Relations at 888-462-9239.

10. Verify proper operation

11. Anchor machine to the floor.

- A. Securely anchor machine to the floor using the anchor holes provided in each machine.

NOTE: Cybex is not responsible for the actual anchoring of equipment. Consult with a professional contractor.

NOTE: Use fasteners having a minimum of 500 lbs. tensile capacity (3/8" grade 2 bolts or better).

NOTE: If legs/frame does not contact surface, DO NOT pull down with anchors. Shim any leg or frame not in contact with surface using flat washers.

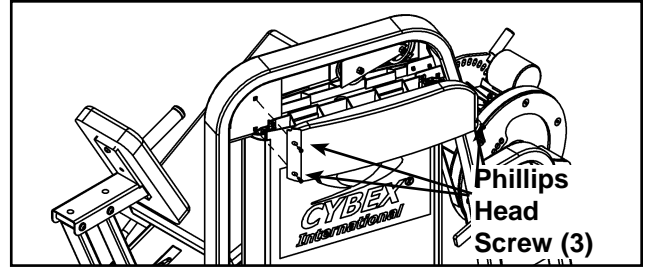


Figure 13

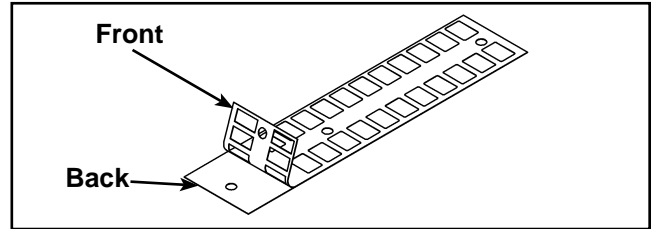


Figure 14

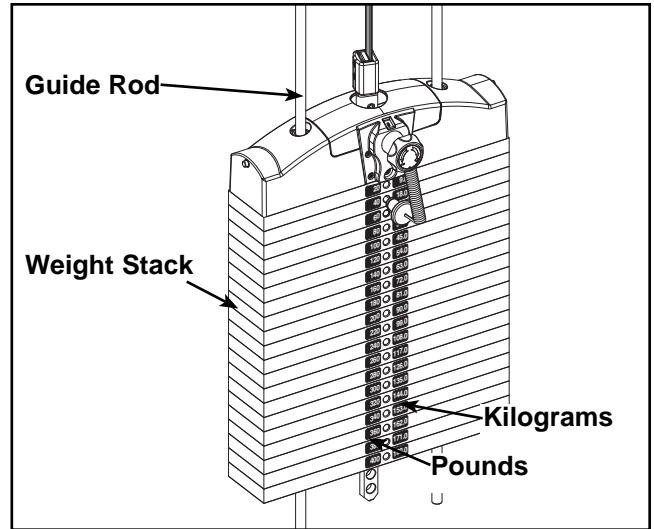


Figure 15

This page intentionally left blank.

Chapter 5 - Maintenance

All preventive maintenance activities must be performed on a regular basis. Performing routine preventive maintenance actions can aid in providing safe, trouble-free operation of all Cybex Strength Systems equipment.

NOTE: *Cybex is not responsible for performing regular inspection and maintenance actions for your machines. Instruct all personnel in equipment inspection and maintenance actions and also in accident reporting/recording. Cybex phone representatives are available to answer any questions or concerns that you may have.*



NOTE: *All inspections and repairs must be performed by trained service personnel only.*

Cybex will void warranty if non-Cybex replacement parts are used.

Daily Procedures

1. **Upholstery** - Wipe down all upholstery as per the recommendations listed below for light soiling and more difficult stains.

Light Soiling

- A solution of 10% household liquid dish soap with warm water applied with a soft damp cloth.
- If necessary, a solution of liquid cleanser and water applied with a soft bristle brush. Wipe away the residue with a water dampened cloth.

More Difficult Stains

- Dampen a soft white cloth with a solution of 10% household bleach (sodium hypochlorite), 90% water. Rub gently. Rinse with a water dampened cloth to remove bleach concentration.
- The same procedure can be used with full strength household bleach, if necessary.
- Allow bleach to puddle on the affected area or apply with a soaked cloth for approximately 30 minutes. Rinse with a water dampened cloth to remove any remaining bleach concentration.

Alternative Method for Difficult Stains

- Dampen a soft white cloth with rubbing alcohol and rub gently. Rinse with a water dampened cloth to remove any remaining rubbing alcohol concentration.

NOTE: To restore luster, a light coat of spray furniture wax can be used. Apply for 30 seconds and follow with a light buffing using a clean white cloth.

Please Review Carefully

When using strong cleaning agents such as rubbing alcohol or bleach, it is advisable to first test in an inconspicuous area. Other cleaning agents may contain harsh or unknown solvents and are subject to formula changes by the product manufacturer without notice. Should you desire to use other cleaning agents, carefully try them in an inconspicuous area to determine potential damage to the material. Never use harsh solvents or cleaners which are intended for industrial applications. To clean stained or soiled areas, a soft white cloth is recommended. Avoid use of paper towels.

Cleaning products may be harmful/irritating to your skin, eyes, etc. Use protective gloves and eye protection. Do not inhale or swallow any cleaning product. Protect surrounding area/clothing from exposure. Use in a well ventilated area. Follow all product manufacturer's warnings. CYBEX and its vendors cannot be held responsible for damage or injuries resulting from the use or misuse of cleaning products.

2. Frames - Wipe down all frames using a mild solution of warm water and car wash soap. Be sure to dry thoroughly. AVOID acid or chlorine based cleaners and also cleaners containing abrasives as these could scratch or damage the equipment.
3. Chrome - Clean chrome tubes, first using chrome polish and then using a car wax seal. Neutral cleaners with a pH between 5.5 and 8.5 are recommended. Be sure to dry thoroughly. AVOID acid or chlorine based cleaners and also cleaners containing abrasives as these could scratch or damage the equipment.

4. Guidelines for cleaning front panel:

- Use clean soft cloths or sponges for application of cleaners and again for washing and rinsing.
- Follow up the application with warm water rinse.
- Don't use abrasives or high alkaline cleaners.
- Don't leave cleaners on for long periods, wash immediately.
- Don't apply cleaners in direct sunlight or at elevated temperatures.
- Don't use scrapers, squeegees or razors.
- Don't clean with gasoline.

Compatible Cleaners and Detergents:

- Formula 409
- Top Job
- Joy
- Palmolive
- Windex with Ammonia D

To Minimize Fine or Hairline Scratches:

Mild automotive polish applied and removed with a soft, clean cloth will help fill scratches.

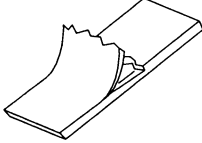
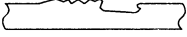
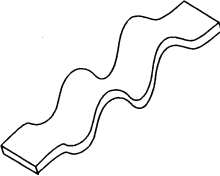
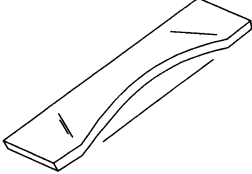
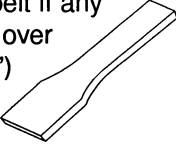

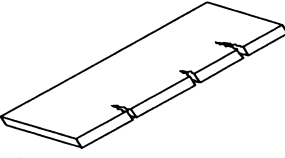
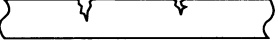
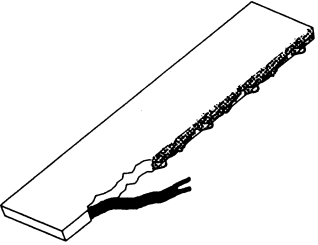
Suggested Polishes:

- Johnson Paste Wax
- Mirror Glaze #10 Plastic Polish (by Mirror Bright Polish Co.)
- Novus Plastics Polish #1, #2 (by Novus Inc.)

Weekly Procedures

1. Check all nuts and bolts for looseness. Tighten as required.
2. Inspect all belts (entire length) for any **non-uniformity and wear**.

Immediately replace belt if any of the following conditions are present:

	3D View	3D or Side View
<ul style="list-style-type: none"> • Peeling of the belt's skin. 		
<ul style="list-style-type: none"> • Wave in the belt. 		
<ul style="list-style-type: none"> • Belt is necked down (narrow section). 	<p>Replace belt if any section is over 1/32" (.03") narrower than rest of the belt.</p> 	 <p>Examine edge of belt (both sides). Replace belt if any section is narrower than the rest.</p>
<ul style="list-style-type: none"> • Cracks or splits. 		
<ul style="list-style-type: none"> • One or more strands of kevlar hanging out. <i>NOTE: Also replace belt if there is a significant amount of frayed kevlar.</i> 		

3. Some machines use cables in addition to belts. Inspect all cables for wear or damage and proper tension. When inspecting cables, run your fingers on the cable, paying particular attention to bends in the cable and attachment points.

Replace all worn cables immediately. The following conditions may indicate a worn cable:

- A tear or crack in the cable sheath that exposes the cable. See Figure 1.

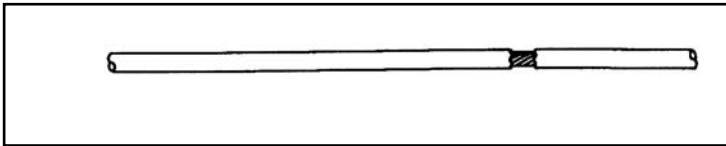


Figure 1

- A kink in the cable. See Figure 2.

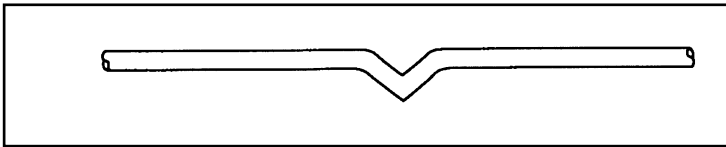


Figure 2

- A curled sheath. See Figure 3.

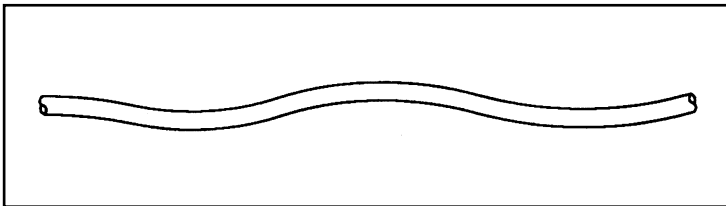


Figure 3

- "Necking", a stretched cable sheath. See Figure 4.

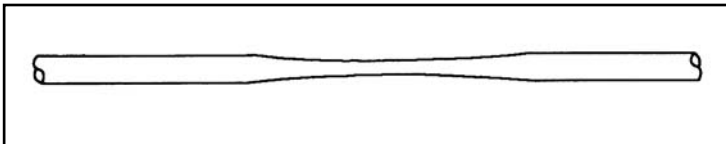


Figure 4

Cybox Eagle 11050 Leg Extension Owner's Manual

4. Inspect bars and handles for wear, paying particular attention to tab area connecting points.

Replace all worn handles immediately.

5. Inspect snap links for proper latching (indicates wear).

Replace all worn snap links immediately.

6. Inspect for loose or worn grips.

Replace all loose or worn grips immediately.

7. Inspect all labeling for readability. This includes instructional placards, warning and caution decals.

Replace all worn labeling immediately.

8. Inspect all weight stacks for proper alignment and operation.

Correct all improper alignment and operation issues immediately.

9. Wipe Weight Stack Guide Rods clean over entire length. Lubricate with a light coat of medium weight automotive engine oil.

Yearly Procedures

1. **Replace all belts and cables at least annually.**

Environment

Static Electricity - Depending upon where you live, you may experience dry air, causing a common experience of static electricity. This may be especially true in the winter time. You may notice a static build-up just by walking across a carpet and then touching a metal object. The same can hold true while working out on your unit. You may experience a shock due to the build-up of static electricity on your body and the discharge path of the unit. If you experience this type of situation, you may want to increase the humidity to a comfortable level through the use of a humidifier.

Humidity - The unit is designed to function normally in an environment with a relative humidity range of 30% to 75%.

NOTE: Do not install or use the unit in an area of high humidity, such as in the vicinity of a steam room, sauna, indoor pool or outdoors. Exposure to extensive water vapor, chlorine and/or bromine could adversely affect the electronics as well as other parts of the machine.

Temperature - The unit is designed to function normally in an environment with an ambient temperature range of 50°F (10°C) to 104°F (40°C) degrees.

Storage

Humidity - The unit can be shipped and stored in an environment with a relative humidity range of 10% to 90%.

NOTE: Do not store the unit in an area of high humidity, such as in the vicinity of a steam room, sauna, indoor pool or outdoors. Exposure to extensive water vapor, chlorine and/or bromine could adversely affect the electronics as well as other parts of the machine.

Temperature - The unit can be shipped and stored in an environment with an ambient temperature range of 32°F (0°C) and 140°F (60°C) degrees.

6 - Service

Please refer to the next several pages for parts lists, exploded-view diagrams.



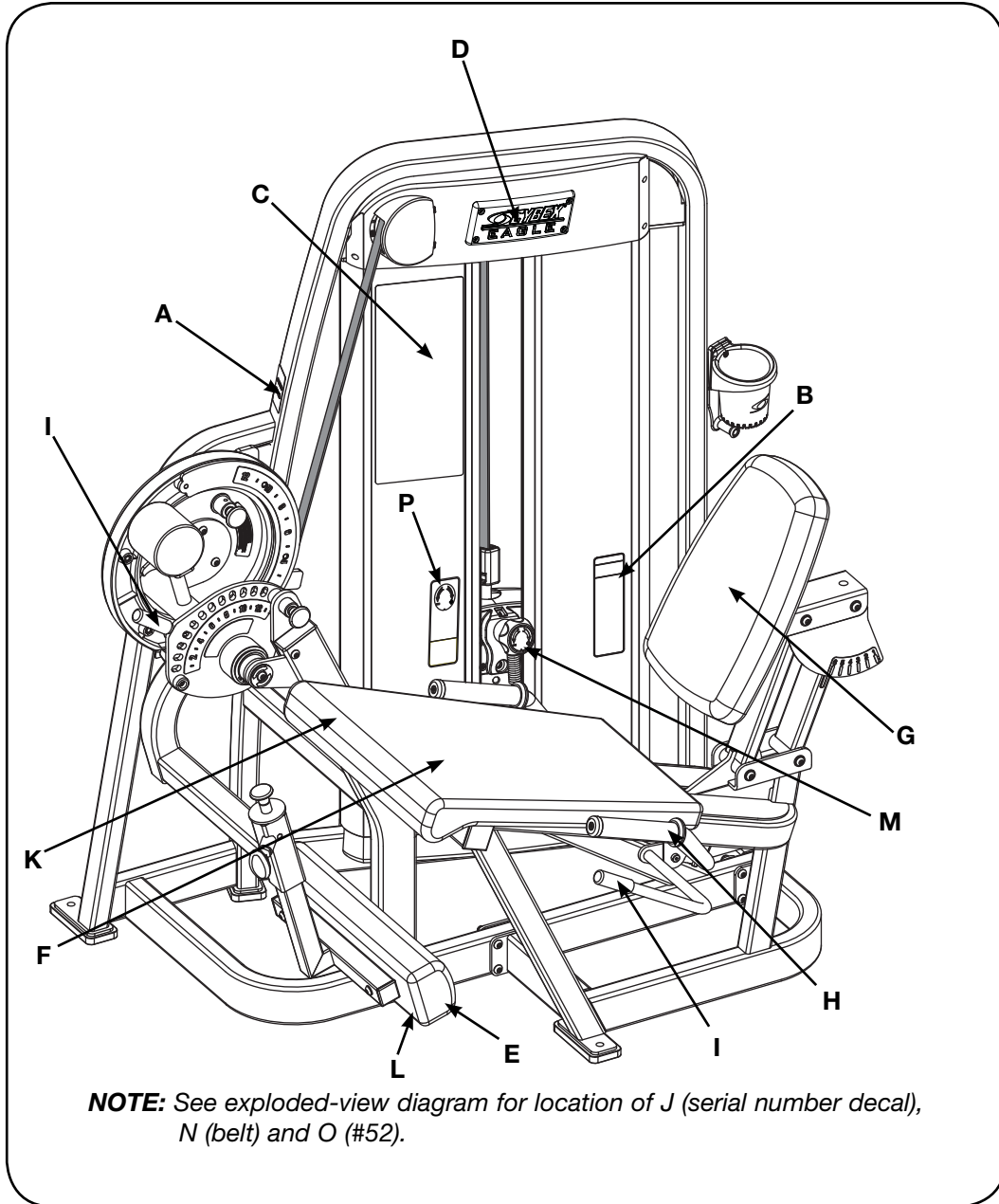
NOTE: All inspections and repairs must be performed by trained service personnel only.

Cybex will void warranty if non-Cybex replacement parts are used.

This page intentionally left blank

LEG EXTENSION

PRODUCT NO. 11050



DESCRIPTION	PART NO.	DESCRIPTION	PART NO.
A. Caution Decal	8500-026	I. Grip.....	11090-385
B. Warning Decal.....	4605-381	J. Serial Number Decal	
C. Placard Decal	11050-610	K. Wear Cover (Item F)	4800-134
D. Eagle Plaque	11040-789	L. Wear Cover (Item E)	4800-093
E. Leg Pad w/Wear Cover	4800-006	M. Weight Selector Pin	BH030207
F. Seat Pad w/Wear Cover	4800-131	N. Belt.....	GB000202
G. Back Pad	4800-176	O. Cybox Decal.....	3900-441
H. Grip.....	4605-507	P. Increment Weight Decal.	11000-407

Cybox Eagle - Leg Extension

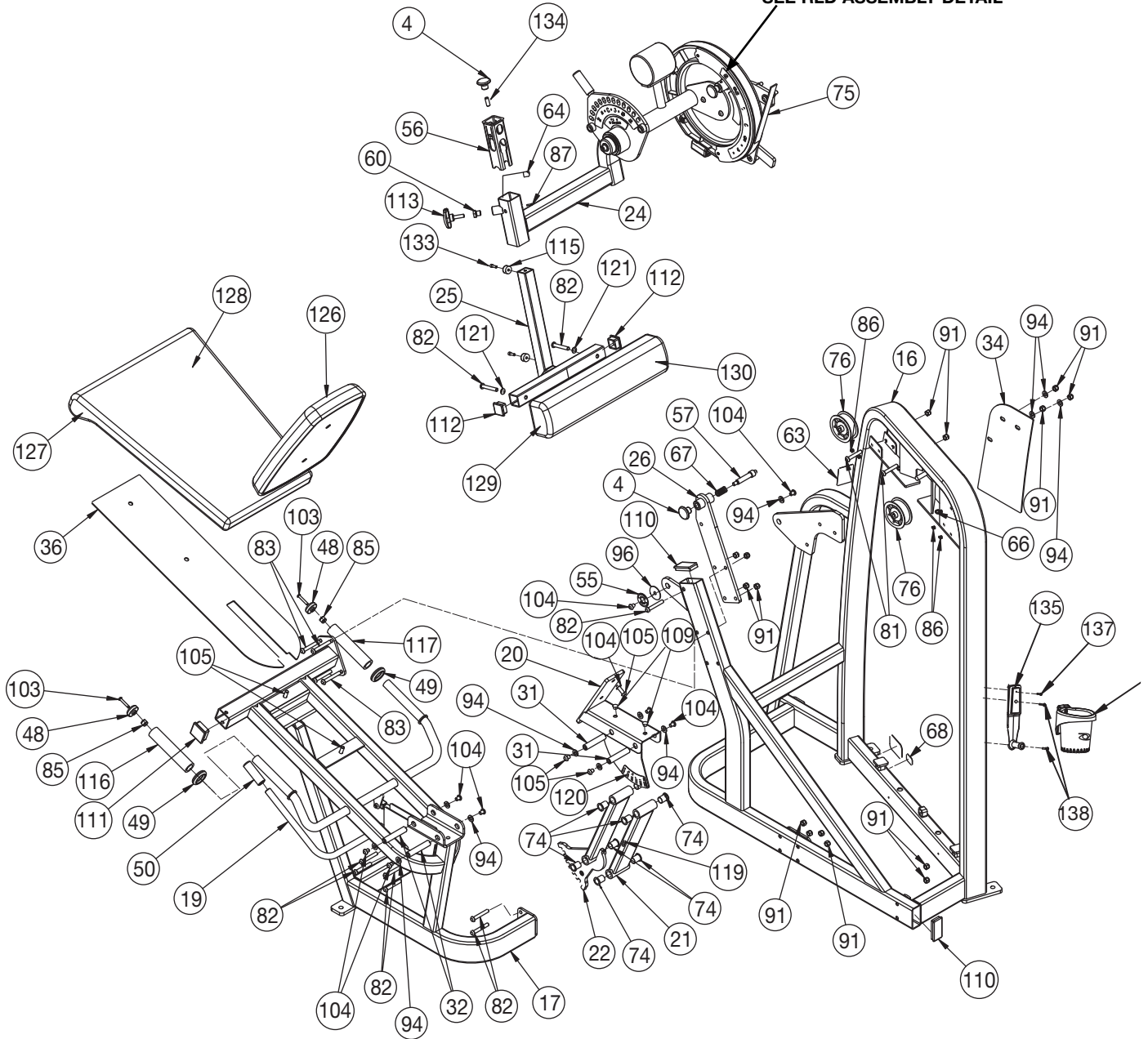
ITEM	QTY	PART NO.	DESCRIPTION
1	1	08229	PIN,DETENT
2	1	11040-301	CLAMP BLOCK INSERT
3	2	11040-401	WT ROD .625 X 47.50
4	3	11040-440	KNOB
5	2	11040-750	EXT INC WT CHANNEL
6	2	11040-754	EXTRUDED GUARD
7	2	11040-751	EXT INC WT CHANNEL
8	1	11040-771	COVER, TOP
9	1	11040-768	COVER, TOP
10	1	11040-776	CHASSIS
11	2	11040-777	TRAY, BOTTOM
12	1	11040-775	COVER, PULLEY
13	1	11040-760	PANEL, SHROUD BACK
14	2	11040-762	PANEL, SHROUD FRONT
15	1	11040-560	DECAL, WEIGHT PLATE (10 - 290)
16	1	11050-200	FRAME
17	1	11050-201	FRAME
18	1	11050-202	DETENT PLATE
19	1	11050-203	HANDLE
20	1	11050-204	CUSHION PLATE
21	1	11050-205	LINK
22	1	11050-206	DETENT LINK
23	1	11050-208	CAM PLATE
24	1	11050-209	INPUT ARM
25	1	11050-210	CUSHION BAR
26	1	11050-211	DETENT HOUSING
27	1	11050-213	CAM STOP
28	1	11050-332	ECCENTRIC PLATE
29	1	11050-333	CAM
30	1	11050-364	SHAFT, PIVOT
31	2	11050-374	PIVOT PIN
32	2	11050-375	PIVOT PIN
33	1	11050-387	PLATE, ROUND MOUNTING
34	1	11050-395	GUARD
35	1	11050-400	COUNTERWEIGHT (3.87)
36	1	11050-402	COVER SHEET
37			REMOVED 5/06
38	1	11050-407	RETAINER
39	1	11050-408	SPACER
40			REMOVED 5/06
41	1	11050-413	PLATE, DECAL, CAM
42	1	11050-414	ADJUSTMENT DECAL
43	1	12050-377	DECAL, START RLD
44	1	11050-776	CHASSIS
45	1	11050-610-X*	PLACARD, EAGLE LEG EXTENSION
46	1	11050-999-X*	OWNER'S MANUAL
47	1	11090-314	PIN,DETENT
48	2	11090-374	END CAP
49	2	11090-376	RING, HANDLE GRIP
50	2	11090-385	GRIP
51	4	11090-392	FOOT COVER
52	1	3900-441	DECAL, CYBEX INTERNATIONAL
53	1	4605-381-X*	WARNING LABEL
54	1	11100-360	END CAP, BEARING HOUSING
55	1	11100-400	ROTATION DECAL
56	1	4605-511	INSERT,PLASTIC 5.94
57	1	4613-320	PIN,DETENT
58	1	4613-328	ADJUSTMENT DECAL
59	1	4613-594	DECAL, TOTAL RLD
60	1	4705-332	INSERT, THREADED .375-16 x .562-12 UNC
61	2	4715-336	P WASHER
62	1	51198	WARRANTY BOOK (NOT SHOWN)
63	1	8500-026-X*	DECAL, CAUTION
64	1	AA033904	V PUSHER
65	2	BR030213	RETAINING RING, 2.00 EXTERNAL
66	4	BR030214	RETAINING RING, .625 DIA
67	3	BS070201	COM SPRING .56 x .66 1.50 LG
68	1	CM000211	DECAL, PATENT PENDING
69	1	EZ000006	GAS SPRING 250N
70	2	FB030232	BEARING, RADIAL 17 mm EXT.ED RACE

ITEM	QTY	PART NO.	DESCRIPTION
71	1	FB030239	CAM FOLLOWER 10mm
72	2	FB050211	BRG FLG .38 X .50 .25 LG
73	2	FB130206	BEARING, FLANGE 2.00 ID. x 2.25 OD. x 1.00 LG
74	8	FB130207	BRG FLG 17mm X 19mm X 25mm
75	80"	GB000202	BELT .95 WIDE
76	2	GP000209	PULLEY ASSEMBLY-3.50
77	2	HC620414	BHSCS .250-20 X .625
78	3	HC700416	BHSCS .375-16 X .875
79	3	HC700417	BHSCS .375-16 X 1.00
80	3	HC700426	BHSCS .375-16 X 2.00
81	2	HC700428	BHSCS .375-16 X 2.25
82	9	HC700430	BHSCS .375-16 X 2.50
83	4	HC700432	BHSCS .375-16 X 2.75
84	1	HD303312	S BOLT .250 X .500 .190-10-24
85	2	HF449063	INSERT 3/4 X 1/4-20
86	10	HF540200	GROMMET, NYLON
87	1	HM532812	SHCS .138-6-32 x .50 GR 8
88	5	HN575100	LOCKNUT .190-No 10-24
89	1	HN-60065	NUT, HEX SELF- LOCKING .312-18 BLK ZINC
90	1	HN625200	LOCKNUT, .250-20 NYLON
91	16	HN704901	LOCKNUT, .375-16 NYLON
92	2	HN704902	LOCKNUT, .375-16 NYLON
93	1	HS328300	LOCKWASHER SPLIT .312
94	12	HS347600	WASHER, SAE .375
95	3	HS347700	WASHER, USS .375
96	1	HS347702	WASHER, FLAT .387 ID x 1.753 OD X .06
97	2	HS407100	WASHER, SPRING .650 ID x .790 OD x .062 THK
98	4	HT102214	PHIL, HEX, WASHER HD, TYPE 23, 10-24
99	18	HT542514	PN HD PHIL SC # 8 X .625 BLK
100	2	HX-60184	BALL STUD, .312 - 18 UNC x 10 mm
101	2	HY740000	SET SCREW
102	1	JC620415	BHSCS .250-20 X .75
103	2	JC620422	BHSCS .250-20 x 1.50
104	10	JC700412	BHSCS .375-16 X .50
105	4	JC700420	BHSCS .375-16 X 1.25
106	1	JD343320	S BOLT .375 X 1.25 .312-18
107	2	JC700922	FHSCS .375-16 X 1.50
108	4	JC700924	FHSCS .375-16 X 1.75
109	2	PP080207	INSERT, PLASTIC .437 DIA 11 GA
110	2	PP090202	INSERT, PLASTIC 1.50 x 3.00 x 11 GA
111	1	PP090210	INSERT, PL 2.00 SQ X 10-14 GA
112	2	PP090211	INSERT, PL 1.50 SQ X 10-14 GA
113	1	PP460011	KNOB, OVAL .375-16 x 1.25 MALE
114	2	PR060005	BUMPER, WEIGHT
115	3	PR069400	BUMPER, RECESS
116	2	4605-507	GRIP 1.38 OD X .94 ID 6.50"
117	3	PR740300	MOUNT, CENTER BONDED
118	2	PR250203	STRIP, FOAM .12 X .25 X ROLL
119	1	11000-394	DECAL, INDICATOR
120	1	11050-423	DECAL, SEAT ADJUSTING
121	6	JS347400	LOCKWASHER, INT TOOTH .375
122	1	HN664900	NUT, HEX SELF-LOCKING .312-18 ZINC
123	1	HS760100	SPRING RETAINING WASHER
124	1	11040-789	EAGLE PLAQUE
125	4	HT572512	TAP SC NO. 10-24 X .50 PN HD PHIL
126	1	4800-176	BACK PAD
127	1	4800-131	SEAT PAD W/WEAR COVER
128	1	4800-134	WEAR COVER
129	1	4800-006	LEG PAD W/WEAR COVER
130	1	4800-093	WEAR COVER
131	1	11100-361	END CAP
132	2	PR069400	BUMPER, RECESS
133	2	HC622815	SHCS, .250-20X750
134	1	HP70717	STUD, .375-16 X 1.00
135	1	13000-402	MOUNT, WATER BOTTLE HOLDER
136	1	13000-400	HOLDER, WATER BOTTLE
137	1	HT552515	TAP SC NO 8-16X.75
138	2	HT512517	TAP SC 10-24 X 1.00 TYPE WB
139	1	11000-407-X*	DECAL, INCREMENT WEIGHT
140	1	11040-790	DECAL, MADE IN USA

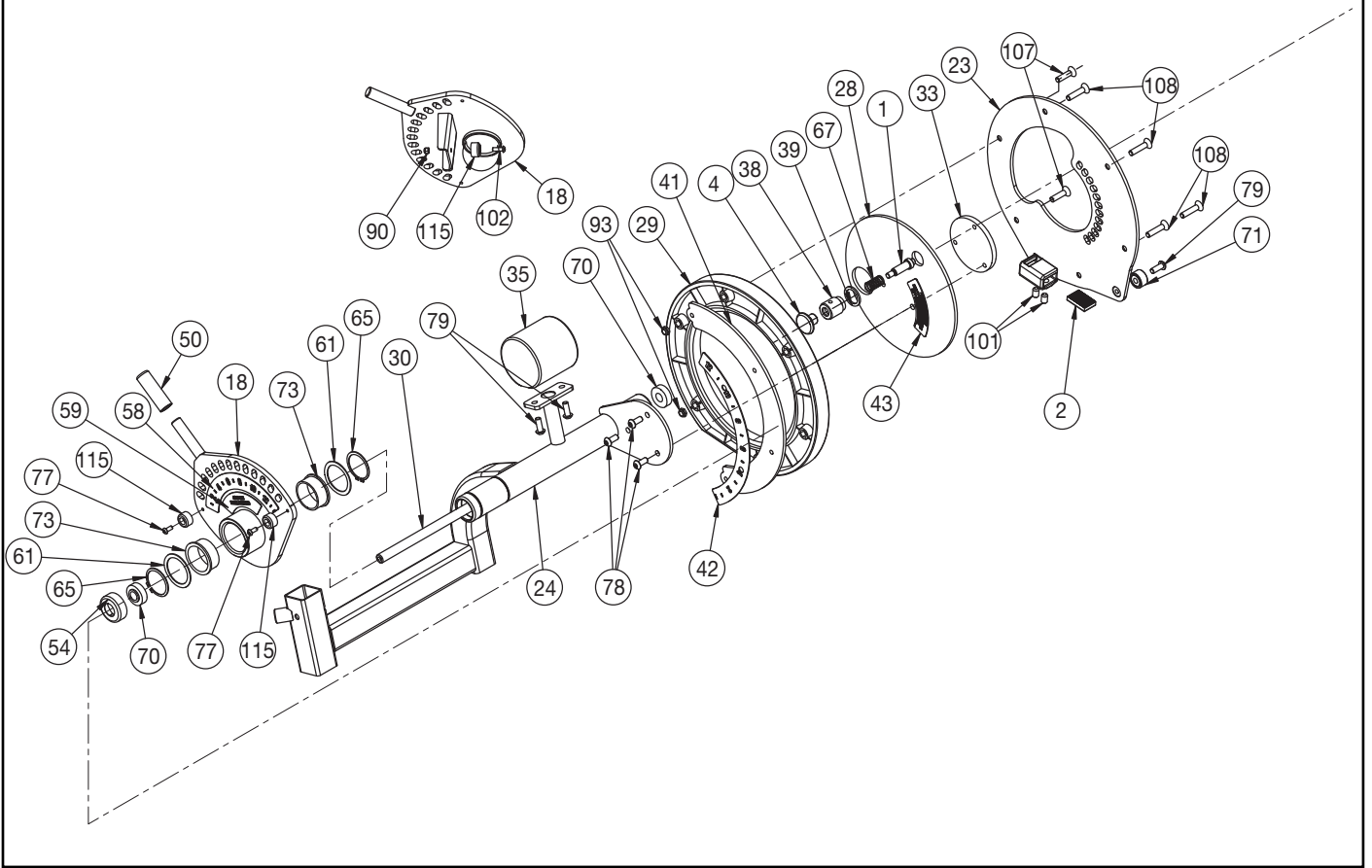
***Language Key**
1-German **6-Japanese**
2-French **7-Swedish**
3-Spanish **8-Russian**
English

EAGLE 11050,11051 MAIN ASSEMBLY DETAIL

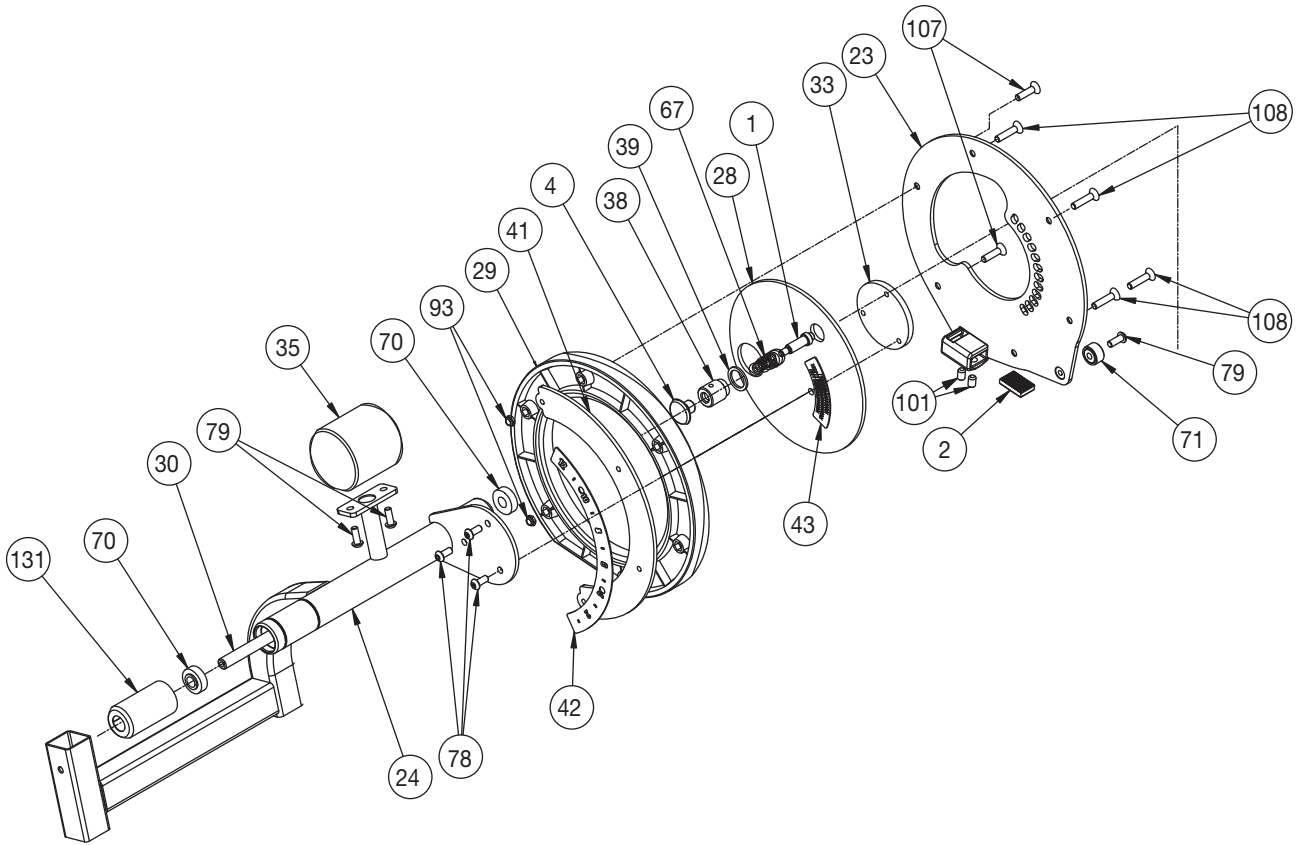
SEE RLD ASSEMBLY DETAIL



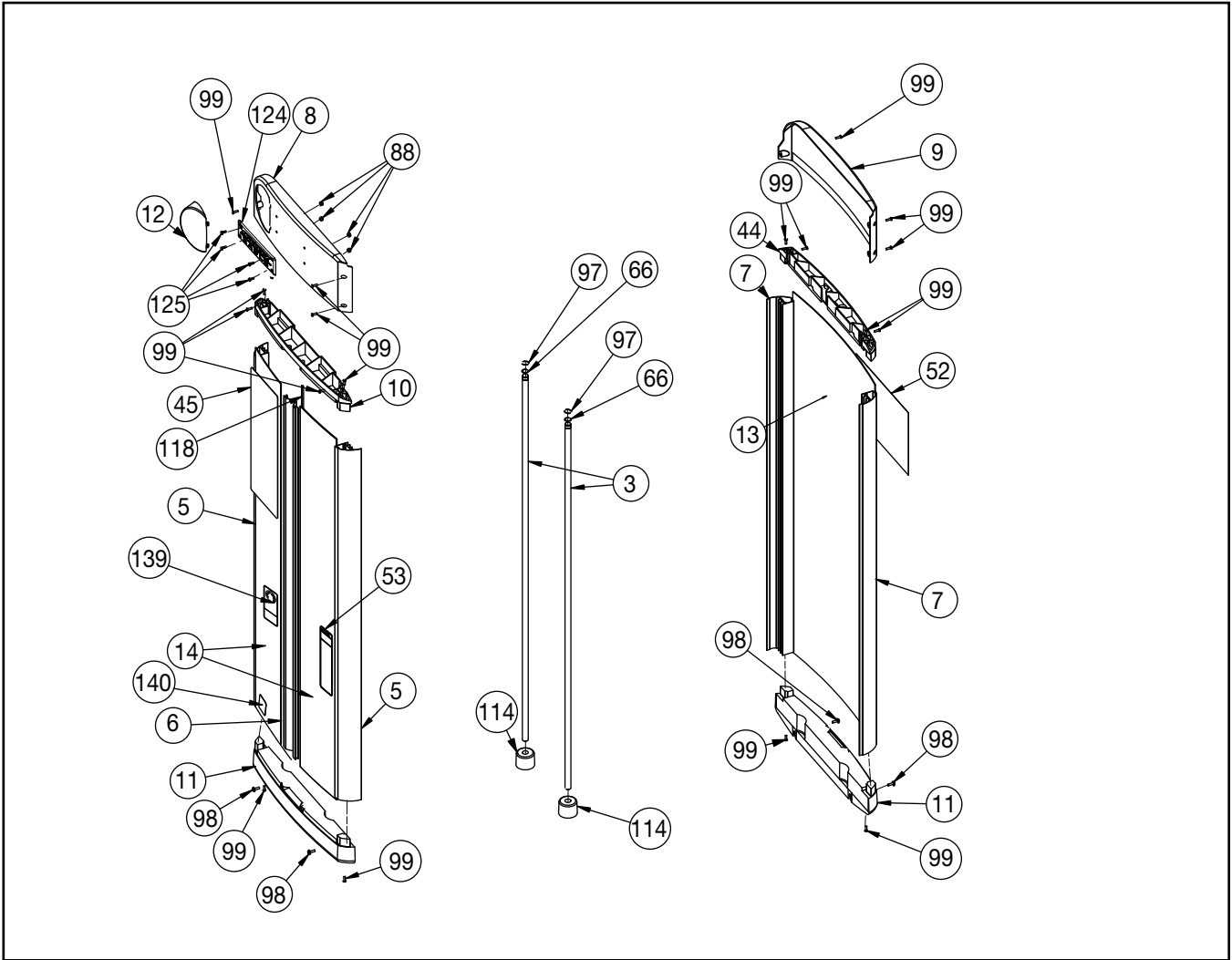
11050 CAM ASSEMBLY DETAIL



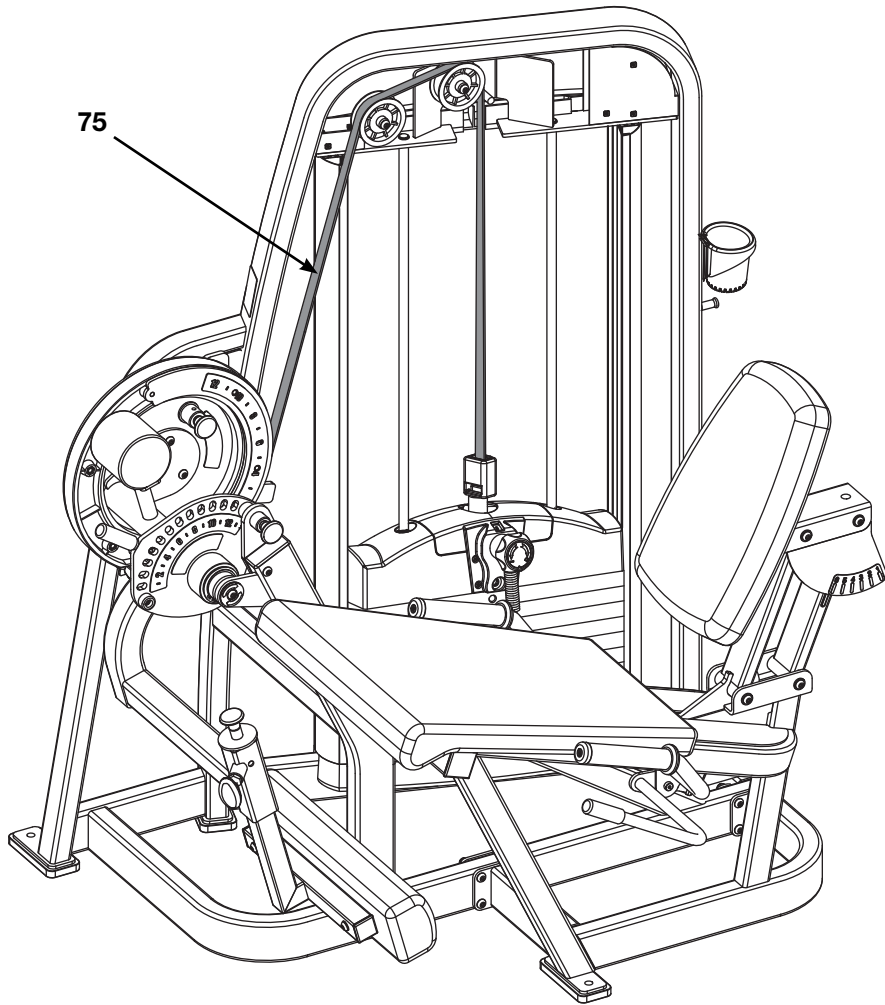
11051 CAM ASSEMBLY DETAIL



SHROUD AND GUIDE ROD ASSEMBLY DETAIL



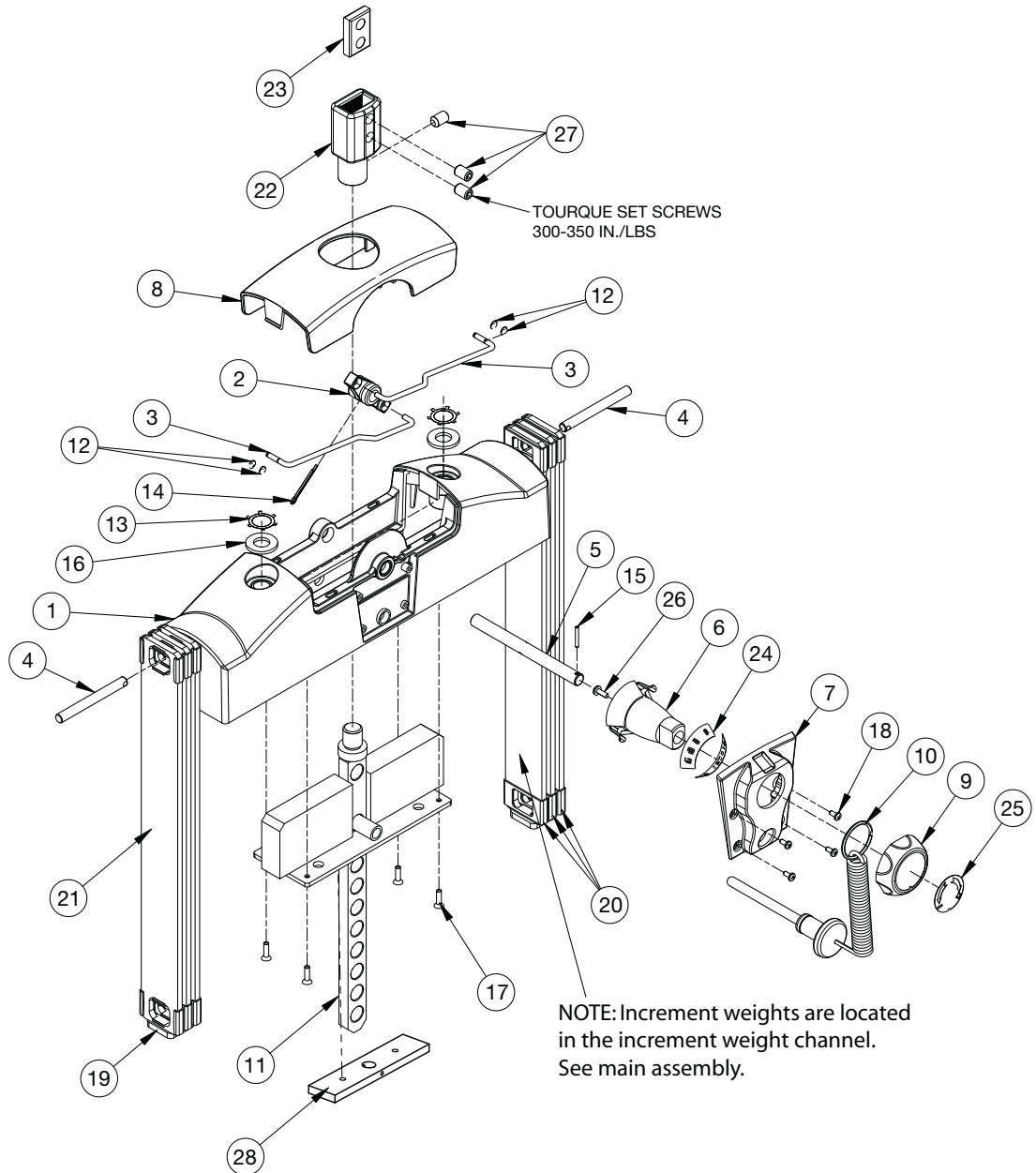
Belt Routing Assembly Detail



Top Weight Assembly Detail

ITEM	QTY	PART NO.	DESCRIPTION
1	1	11040-366	Top Weight Assembly, Molded
2	1	11040-367	Hub, Molded
3	2	11040-369	Rod, Linkage
4	2	11040-370	Pin
5	1	11040-427	Rod
6	1	11040-426	Stem
7	1	11040-424	Cover Plate
8	1	11040-416	Cover, Top Weight
9	1	11040-425	Knob
10	1	BH030207	Pin, Weight Selector
11	1	4700-251	Lifting Post 15
12	4	BR030209	External Retaining Ring .188
13	2	BR030220	Internal Retaining Ring 1.250
14	1	HP016820	Cotter Pin .125 X 1.25
15	1	HP266765	Roll Pin, .125 X .938

ITEM	QTY	PART NO.	DESCRIPTION
16	2	HS720004	Felt Washer, .641 1.250 .125 T
17	4	HT562715	Tap SC NO 10 x .750 F Phil
18	4	HT582510	Tap SC NO 10 x .375 PN HD Phil
19	2	11040-409	Molded Bumper Pad
20	12	11040-572	Guard, Increment Weight
21	6	11040-573	Weight Increment
22	1	11040-216	Belt Clamp
23	1	11040-301	Clamp Block Insert
24	1	11040-428	Adjustment Decal
25	1	11040-429	Rotation Decal
26	1	HT552512	Screw, Pan HD Phil HD Self Tapping 8-16 x .50, Type WB
27	3	HY740000	Set Screw
28	14	4000C101	Weight Stack Plate
29	1	4701-013	Weight Pack (Not Shown)





10 Trotter Drive Medway, MA 02053 • 508-533-4300 • FAX 508-533-5183
www.cybexinternational.com • techhelp@cybexintl.com