



**Cybex® Free Weight Olympic Decline Press  
Owner's and Service Manual  
Strength Systems  
Part Number 16061-999-4 A**





**Cybex® Free Weight Olympic Decline Press  
Owner's and Service Manual**

**Strength Systems**  
Part Number 16061-999-4 A

Cybex® and the Cybex logo are registered trademarks of Cybex International, Inc.

**DISCLAIMER:** Cybex International, Inc., makes no representations or warranties regarding the contents of this manual. We reserve the right to revise this document at any time or to make changes to the product described within it without notice or obligation to notify any person of such revisions or changes.

© Copyright 2010, Cybex International, Inc. All rights reserved.

Printed in the United States of America.

10 Trotter Drive Medway, MA 02053 • 508-533-4300 • FAX 508-533-5183

www.cybexinternational.com • techhelp@cybexintl.com • 16061-999-4 A • March 2010



# Table of Contents

<b>1 Safety</b>	
Safety . . . . .	1
Warning/Caution Decals . . . . .	2
Regular Maintenance Activities . . . . .	3
<b>2 Exercise</b>	
Intended Use . . . . .	3
<b>3 Customer Service</b>	
Contacting Service . . . . .	4
Ordering parts . . . . .	4
Return Material Authorization (RMA) . . . . .	5
Damaged Parts . . . . .	5
<b>4 Assembly</b>	
Assembly . . . . .	6
<b>5 Maintenance</b>	
Daily Procedures . . . . .	7
Weekly Procedures . . . . .	7
<b>6 Service</b>	
Parts Lists . . . . .	10
Exploded-View Diagram . . . . .	10



# 1 - Safety


## Safety

Read the Owner's Manual carefully before assembling, servicing or using Cybox equipment.



**WARNING: Serious injury could occur if these safety precautions are not observed:**

### User Safety Precautions

- Obtain a medical exam before beginning any exercise program.
- Stop exercising if feeling faint, dizzy or experiencing pain and consult your physician.
- Obtain instructions before using. Lisez les instructions avant l'utilisation.
- Read and understand the owner's manual and all warnings posted on the machine before using. 
- Keep all children (12 and under) away. Teenagers (13 and over) and disabled must be supervised. Garder tous les enfants (de 12 ans et moins) éloignés. Les adolescents (de 13 ans et plus) et les handicapés doivent être surveillés.
- Use a spotter.
- Keep body and clothing free from and clear of all moving parts.
- Use the machine only for the intended use. **DO NOT** modify the machine.
- Inspect machine prior to use. **DO NOT** use if it appears damaged or inoperable.
- **DO NOT** attempt to fix a broken or jammed machine.
- Report any malfunctions, damage or repairs to the facility.
- Replace any warning labels if damaged, worn or illegible

### Facility Safety Precautions

- Read the Owner's Manual carefully before assembling, servicing or using this equipment.
- Make sure that each machine is set up and operated on a solid level surface. **Do not install equipment on an uneven surface.**
- Make sure that all users are properly trained on how to use this equipment.
- Make sure there is enough room for safe access and operation of this equipment.
- Perform regular maintenance checks on this equipment. Also pay close attention to all areas most susceptible to wear.
- Immediately replace worn or damaged components. If unable to immediately replace worn or damaged components then remove from service until the repair is made.

**NOTE:** *It is the sole responsibility of the user/owner or facility operator to ensure that regular maintenance is performed.*



**Warning/Caution Decals**

Warning decals indicate a potentially hazardous situation, which, if not avoided, could result in death or serious injury.

Caution decals indicate a potentially hazardous situation, which, if not avoided, could result in minor or moderate injury.

The caution and warning decals are shown on this page.

A

**WARNING**

**SERIOUS INJURY  
COULD OCCUR IF  
THESE PRECAUTIONS  
ARE NOT OBSERVED**

1. Obtain a medical exam before beginning any exercise program.
2. Stop exercising if feeling faint, dizzy or experiencing pain and consult your physician.
3. Obtain instructions before using. *Lisez les instructions avant l'utilisation.*
4. Read and understand the owner's manual and all warnings posted on the machine before using. [A]
5. Keep all children (12 and under) away. Teenagers (13 and over) and disabled must be supervised. *Gardez tous les enfants (de 12 ans et moins) éloignés. Les adolescents (de 13 ans et plus) et les handicapés doivent être surveillés.*
6. Use a spotter.
7. Keep body and clothing free from and clear of all moving parts.
8. Use the machine only for the intended use. DO NOT modify the machine.
9. Inspect machine prior to use. DO NOT use if it appears damaged or inoperable.
10. DO NOT attempt to fix a broken or jammed machine.
11. Report any malfunctions, damage or repairs to the facility.
12. Replace any warning labels if damaged, worn or illegible.

5220-364-4

**Olympic Decline Press - 16061**

DESCRIPTION	PART NO.
A. Warning Decal.....	5220-364
B. Caution Decal.....	8500-025

B

**CAUTION**

**Failure to correctly  
adjust could result in  
personal injury.**

**Always fully engage  
the detent pin before  
use to avoid injury.**

8500-025-4 A

## Regular Maintenance Activities

Preventative maintenance activities must be performed to maintain normal operation of this equipment. Keeping a log sheet of all maintenance actions will assist you in staying current with all preventative maintenance activities.



**WARNING:** *Equipment found to have worn or damaged components must be removed from service until repair(s) is made. Failure to do so could result in injury.*

### Daily

1. Clean upholstery.

### Weekly

1. Inspect all nuts and bolts for looseness. Tighten as required.
2. Check for worn handles, and worn warning labeling. Replace all worn parts immediately.

# 2 - Exercise

## Intended Use

The intended use of this equipment is to aid or improve general physical fitness and exercise. For Commercial use.

### Before you workout

Prior to starting a training program, get a complete physical exam to make sure your physician agrees that you are ready. Always warm-up your muscles before a workout. A 5 - 10 minute cardio warm-up followed by slow stretching (no bouncing) is recommended. Continue with a lighter set (50% of normal) of intended exercises. Start your program conservatively. Choose weights you can easily lift in the first weeks. Always perform the full range of motion unless you have an injury, then consult a professional trainer. Know the terms. A "repetition" (rep) is defined as one complete movement through an exercise, returning to the start position. A "set" is a continuous series of reps usually between 6-15.

### During your workout

The number of reps you perform in a set depends on your goal. To build muscle and strength, do fewer reps (6 - 8) with heavier weight. To build endurance, do more reps (12-15) with lighter weight. Never "cheat" by shortening the range of motion, bouncing the weight, or shifting your posture. This may allow you to lift more weight, but it is dangerous and less effective. Catch your breath between sets, then continue. When "circuit training" move briskly to the next exercise; when doing multiple sets on one exercise, rest 45 - 90 seconds before the next set. Work up to three sets per exercise. When you can perform the desired reps and sets for any exercise, increase the weight by a half or full plate.

### Designing your workout

Circuit training is a good way to start. This involves doing one set per exercise, then moving to the next exercise, pausing only briefly between them (to keep your heart and breath rate up) until completing a balanced "circuit" of 8 - 10 exercises for your entire body. Then repeat the circuit. After several weeks, you can move into multiple sets (3 in a row) per exercise if you choose. For both of these, exercise the complete body every other day, up to three times a week. **NOTE:** *A full day's rest, plus proper nutrition and hydration are required for optimum muscle-building or toning.* Alternatively, work out half your body one day (e.g., the upper body) and the other half the following day (e.g. the lower body). At the end of your workout, cool down in a similar way to your warm-up.

## 3 - Customer Service

### **Contacting Service**

Hours of phone service are Monday through Friday from 8:30 to 6:00 p.m Eastern Standard Time.

For Cybex customers living in the USA, contact Cybex Customer Service at **888-462-9239**.

For Cybex customers living outside the USA, contact Cybex Customer Service at **508-533-4300** or fax **508-533-5183**.

Find information on the web at [www.cybexintl.com](http://www.cybexintl.com) or e-mail at [techhelp@cybexintl.com](mailto:techhelp@cybexintl.com).

### **Ordering Parts**

Fax orders to **508-533-5183**. To speak with a customer service representative, call **888-462-9239** (for customers living within the USA) or **508-533-4300** (for customers outside the USA). You may also contact us through e-mail at [techhelp@cybexintl.com](mailto:techhelp@cybexintl.com)

Having the following information ready when calling will assist our Cybex representatives in serving you.

- **Unit Serial Number**
- **Product Name**

The unit serial number and product name can be found on the serial number decal. See Chapter 6 for exact location of serial number decal.

- **Part Description**
- **Part Number**

Part descriptions and part numbers are located in Chapter 6 of this manual.

- **Shipping Address**
- **Contact Name**

In addition to your shipping address and contact name, your account number is helpful but not required.

## **Return Material Authorization (RMA)**

The Return Material Authorization (RMA) system outlines the procedures to follow when returning material for placement, repair or credit. The system assures that returned materials are properly handled and analyzed. Follow the following procedures carefully.

Contact your authorized Cybex dealer on all warranty-related matters. Your local Cybex dealer will request a RMA from Cybex, if applicable. Under no circumstances will defective parts or equipment be accepted by Cybex without proper RMA and an Automated Return Service (ARS) label.

1. Call the Customer Service Hot Line listed above for the return of any item that is defective.
2. Provide the technician with a detailed description of the problem you are having or the defect in the item you wish to return.
3. Provide the model and serial number of your Cybex equipment.
4. At Cybex's discretion, the technician may request that you return the problem part(s) to Cybex for evaluation and repair or replacement. The technician will assign you a RMA number and will send you an ARS label. The ARS label and the RMA numbers must be clearly displayed on the outside of the package that contains the item(s) to be returned. Include the description of the problem, the serial number of the equipment and the name and address of the owner in the package along with the part(s).
5. Forward the package through UPS to Cybex.

Attn: Customer Service Department  
Cybex International, Inc.  
1975 24th Ave SW  
Owatonna, MN 55060

**NOTE:** *Merchandise returned without an RMA number on the outside of the package or shipments sent COD will not be accepted by the Cybex receiving department.*

## **Damaged Parts**

Materials damaged in shipment should not be returned for credit. Shipping damages are the responsibility of the carrier (UPS, Federal Express, trucking companies, etc.)

**Apparent Damage** - Upon receipt of your shipment, check all items carefully. Any damage seen with a visual check must be noted on the freight bill and signed by the carrier's agent. Failure to do so will result in the carriers refusal to honor your damage claim. The carrier will provide you with the required forms for filing such claims.

**Concealed Damage** - Damage not seen with a visual check upon receipt of a shipment but notices later must be reported to the carrier as soon as possible. Upon discovery of the damage, a written or phone request to the carrier asking them to perform an inspection of the materials must be made within ten days of the delivery date. Keep all shipping containers and packing materials as they will be needed in the inspection process. The carrier will provide you with an inspection report and the necessary forms for filing a concealed damage claim. Concealed damage claim is the carrier's responsibility.

## 4 - Assembly

### Tools Required

- Rubber mallet
- Flat head screwdriver

Plastic shipping foot glides are used on Cybox Strength Systems machines to protect the bottom of machines during transportation. These foot glides must be removed before a machine is first placed in service as the shipping foot glides may cause the machine to be unstable.



**WARNING:** Failure to remove shipping foot glides before placing a machine in service may cause the machine to be unstable, therefore, creating potential for personal injury or product damage.

**NOTE:** Failure to remove shipping foot glides before placing a machine in service may void warranty on the frames.

### REMOVING FOOT GLIDES

**NOTE:** Be careful not to damage frame (such as chipping the paint) when removing foot glides.

**NOTE:** The foot of the machine will need to be raised slightly off the floor in order to remove foot glide. Do not install weight stack (if applicable) until after removing foot glides.

1. Using a rubber mallet, carefully strike foot glide.
2. With a flat blade screwdriver, carefully pry off foot glide.
3. Carefully place rubber feet (supplied with machine) on each foot of the frame.
4. Carefully Install grips (if required) part number 16030-309, see exploded view for location.

### Olympic Decline Press - Product No.16061

#### **Total Weight and Size**

Weight: 133 lbs. Size: 53" W x 73" L x 47" H

Weight: 60 kgcm. Size: 135 cm W x 185 cm L x 119 cm H

## 5 - Maintenance

All preventive maintenance activities must be performed on a regular basis. Performing routine preventive maintenance actions can aid in providing safe, trouble-free operation of all Cybox Strength Systems equipment.

**NOTE:** *Cybox is not responsible for performing regular inspection and maintenance actions for your machines. Instruct all personnel in equipment inspection and maintenance actions and also in accident reporting/recording. Cybox phone representatives are available to answer any questions or concerns that you may have.*

### **Daily Procedures**

1. **Upholstery** - Wipe down all upholstery.
2. **Frames** - Wipe down all frames using a mild solution of warm water and car wash soap. Be sure to dry thoroughly. **AVOID** acid or chlorine based cleaners and also cleaners containing abrasives as these could scratch or damage the equipment.
3. **Chrome** - Clean chrome tubes, first using chrome polish and then using a car wax seal. Neutral cleaners with a pH between 5.5 and 8.5 are recommended. Be sure to dry thoroughly. **AVOID** acid or chlorine based cleaners and also cleaners containing abrasives as these could scratch or damage the equipment.

### **Weekly Procedures**

1. Inspect all nuts and bolts for looseness. Tighten as required
2. Inspect all labeling for readability. This includes instructional placards, warning and caution decals. Replace all worn labeling immediately.

*This page intentionally left blank*

## 6 - Service

Please refer to the next page for parts lists and exploded-view diagrams

### CAUTION

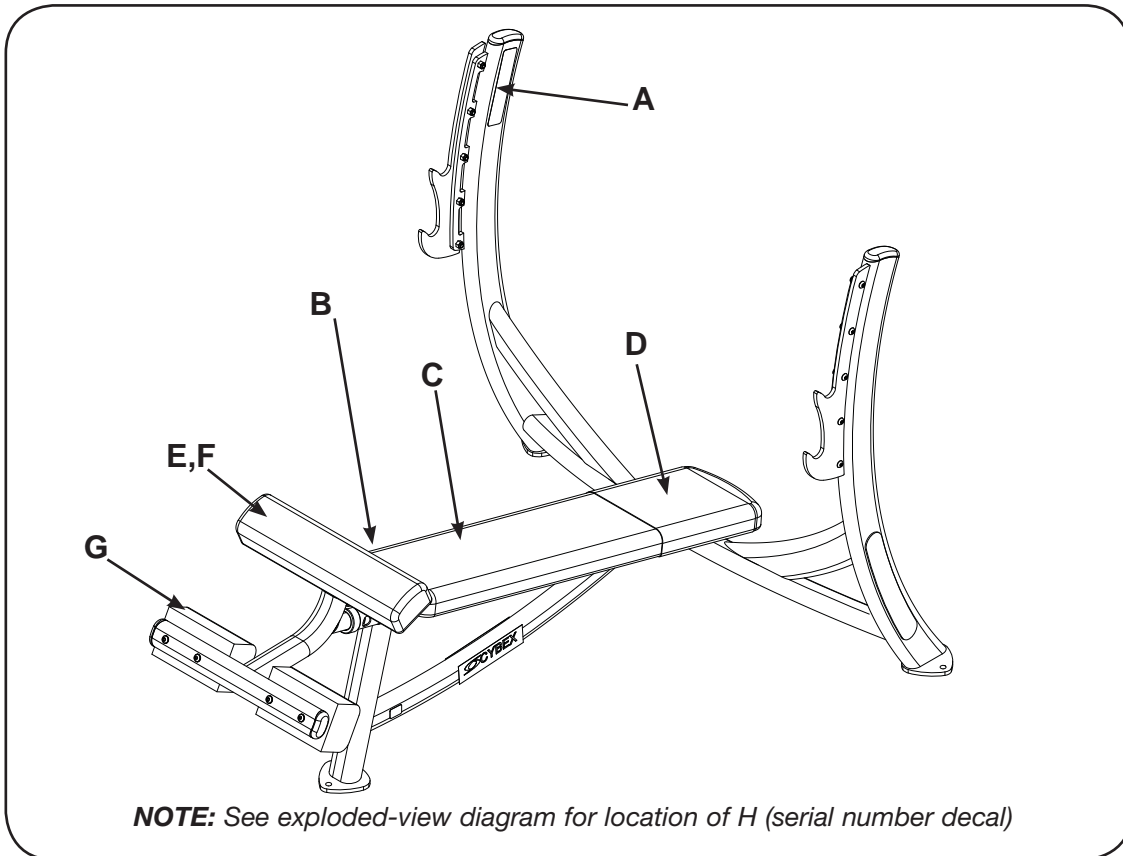
**Use only Cybox replacement parts when servicing. Failure to do so could result in personal injury.**

**NOTE:** All inspections and repairs must be performed by trained service personnel only.

Cybox will void warranty if non-Cybox replacement parts are used.

## Free Weight Olympic Decline Press

PRODUCT NO. 16061



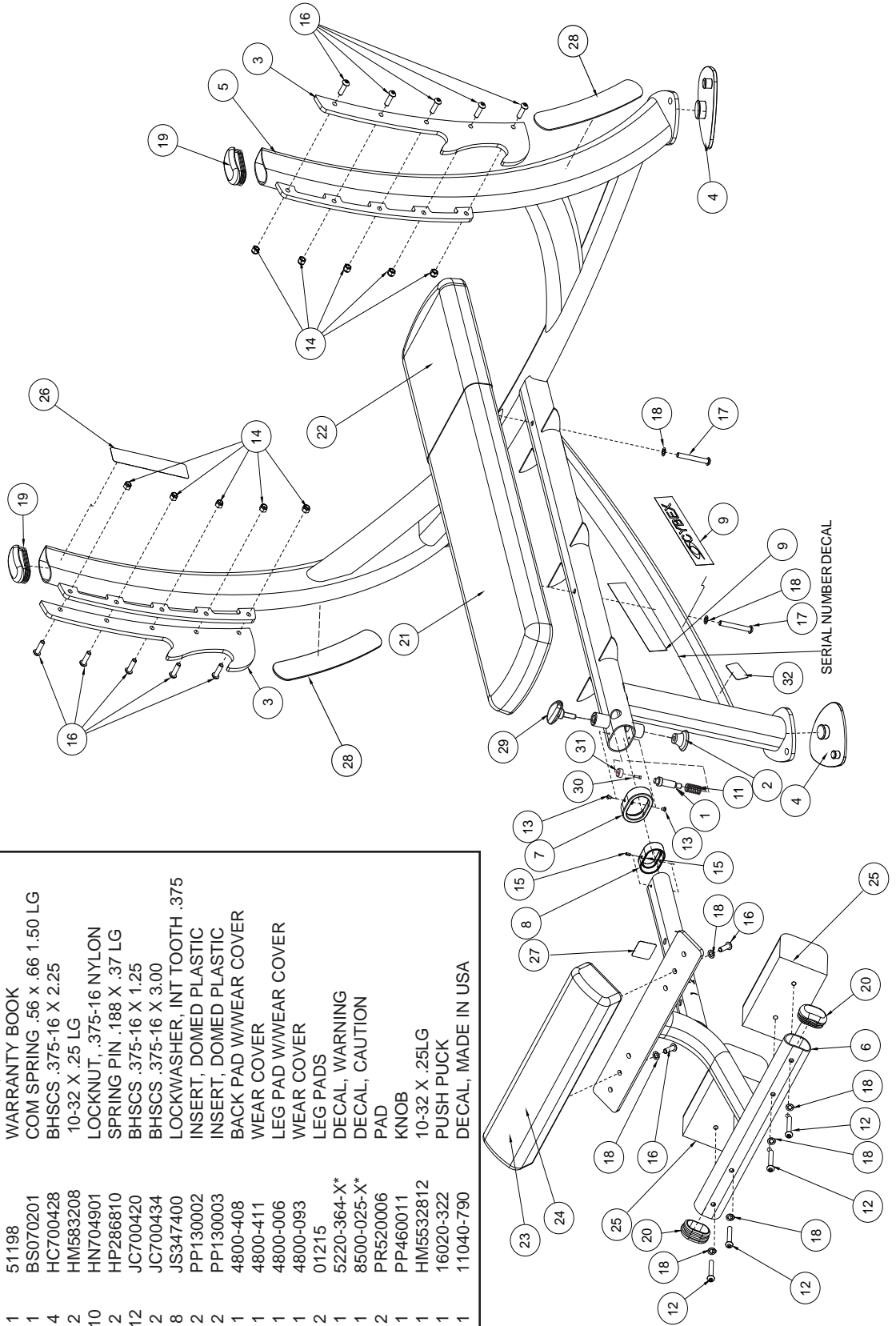
DESCRIPTION	PART NO.
A. Warning Decal.....	5220-364-X*
B. Caution Decal.....	8500-025-X*
C. Back Pad W/Wear cover.....	4800-412
D. Wear Cover.....	4800-411
E. Leg Pad W/ Wear cover .....	4800-006
F. Wear Cover.....	4800-093
G. Leg pad.....	01215
H. Serial Number Decal	

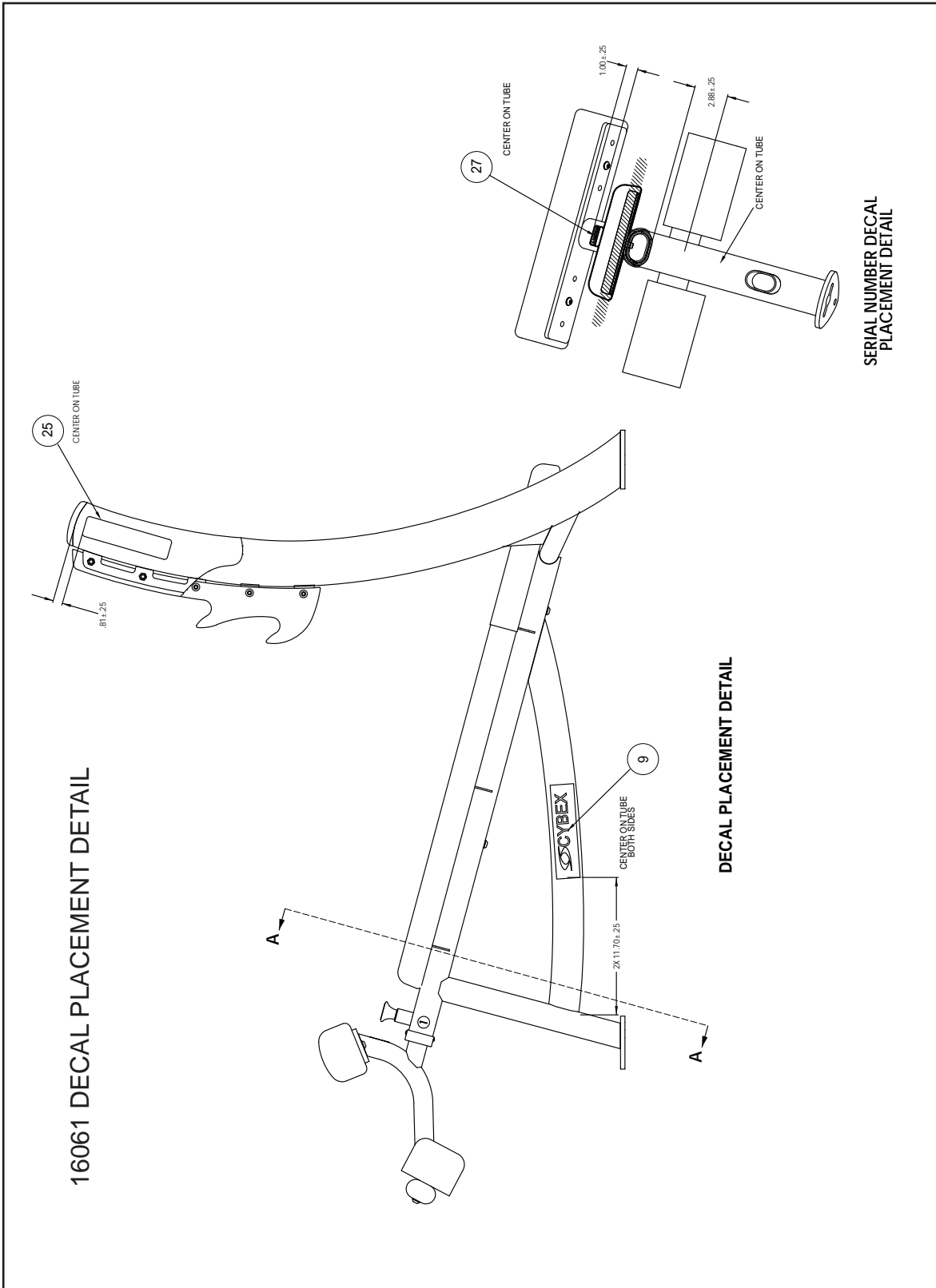
\*Language Key

1-German , 2-French, 3-Spanish, 4-English,6-Japanese, 7- Swedish, 8- Russian

16061 MAIN ASSEMBLY DETAIL

ITEM	QTY	PART NO.	DESCRIPTION
1	1	08229	P/PIN,DETENT
2	1	11040-440	KNOB
3	2	16010-309	BAR PLATE
4	3	16010-311	FOOT PAD
5	1	16061-200	W/ MAIN FRAME
6	1	16061-201	W/ LEG ADJUSTING
7	1	16060-311	PLASTIC GUIDE
8	1	16060-315	PLASTIC GUIDE
9	2	3900-445	DECAL, CYBEX BLACK
9	2	3900-446	DECAL, CYBEX SILVER
10	1	51198	WARRANTY BOOK
11	1	BS070201	COM SPRING .56 x .66 1.50 LG
12	4	HC700428	BHSCS .375-16 X 2.25
13	2	HM583208	10-32 X .25 LG
14	10	HN704901	LOCKNUT, .375-16 NYLON
15	2	HP286810	SPRING PIN .188 X .37 LG
16	12	JC700420	BHSCS .375-16 X 1.25
17	2	JC700434	BHSCS .375-16 X 3.00
18	8	JS347400	LOCKWASHER, INT TOOTH .375
19	2	PPI30002	INSERT, DOMED PLASTIC
20	2	PPI30003	INSERT, DOMED PLASTIC
21	1	4800-408	BACK PAD W/WEAR COVER
22	1	4800-411	WEAR COVER
23	1	4800-006	LEG PAD W/WEAR COVER
24	1	4800-093	WEAR COVER
25	2	01215	LEG PADS
26	1	5220-364-X*	DECAL, WARNING
27	1	8500-025-X*	DECAL, CAUTION
28	2	PR520006	PAD
29	1	PP460011	KNOB
30	1	HM5532812	10-32 X .25LG
31	1	16020-322	PUSH PUCK
32	1	11040-790	DECAL, MADE IN USA





*This page intentionally left blank*





10 Trotter Drive Medway, MA 02053 • 508-533-4300 • FAX 508-533-5183  
www.cybexinternational.com • techhelp@cybexintl.com