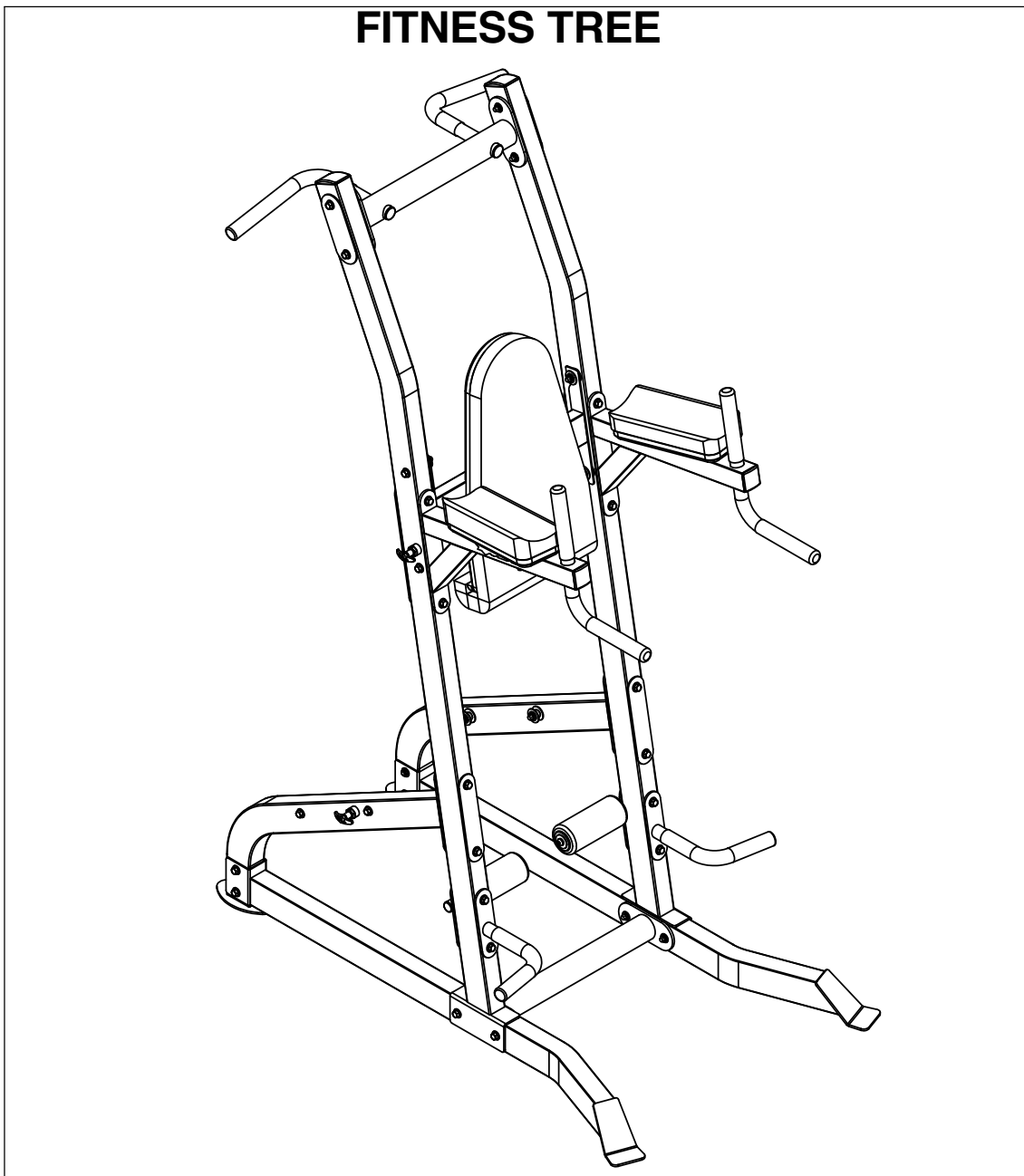


OWNERS MANUAL

HOIST

HF4962 FITNESS TREE



Note: Both Serial Number and Model Number are Required when Ordering Parts

RECORD SERIAL NUMBER HERE

CATALOG NUMBER

Customer Service

(800) 548-5438

(858) 578-7676

Fax

(858) 578-9558

OWNERS MANUAL

CONTENTS

INSTRUCTIONS	02
FRAME ASSEMBLY	04
PRE-ASSEMBLY.....	27
DECAL PLACEMENT.....	29
PART LISTING.....	33
ABBREVIATIONS LISTING.....	34
BOLT SIZING CHART.....	36
WASHER SIZING CHART.....	38
MAINTENANCE SCHEDULE.....	39
GENERAL MAINTENANCE INFORMATION.....	40
WEIGHT TRAINING TIPS.....	42
EXERCISE LOG.....	43
LIMITED WARRANTY.....	44

OWNERS MANUAL

INSTRUCTIONS

Before beginning assembly please take the time to read instructions thoroughly. Please use the various lists in this manual to make sure that all parts have been included in your shipment. When ordering, use part number and description from the lists. Use only HOIST replacement parts when servicing. Failure to do so will void your warranty and could result in personal injury.

HOIST equipment is designed to provide the smoothest, most effective exercise motion possible. After assembly, you should check all functions to ensure correct operation. If you experience problems, first recheck the assembly instructions to locate any possible errors made during assembly. If you are unable to correct the problem, call your authorized HOIST dealer. Be sure to have your serial number and this manual when calling. When all parts have been accounted for, continue on.

TOOLS REQUIRED

Socket Wrench

1/2" and 9/16" Sockets

Crescent Wrench

Rubber Mallet

Tape Measure

Level

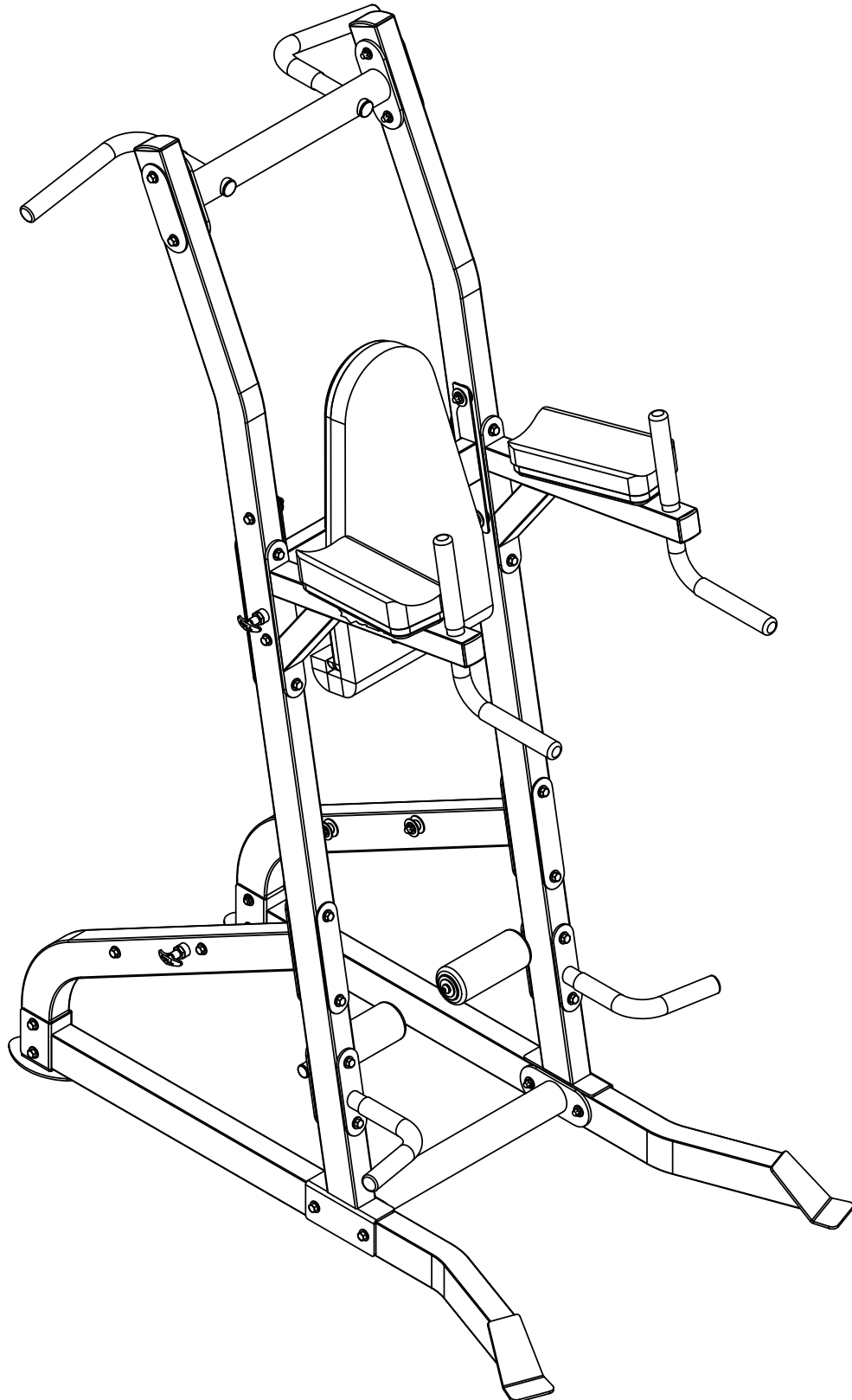
Allen Wrench Set

OWNERS MANUAL



OWNERS MANUAL

FRAME ASSEMBLY



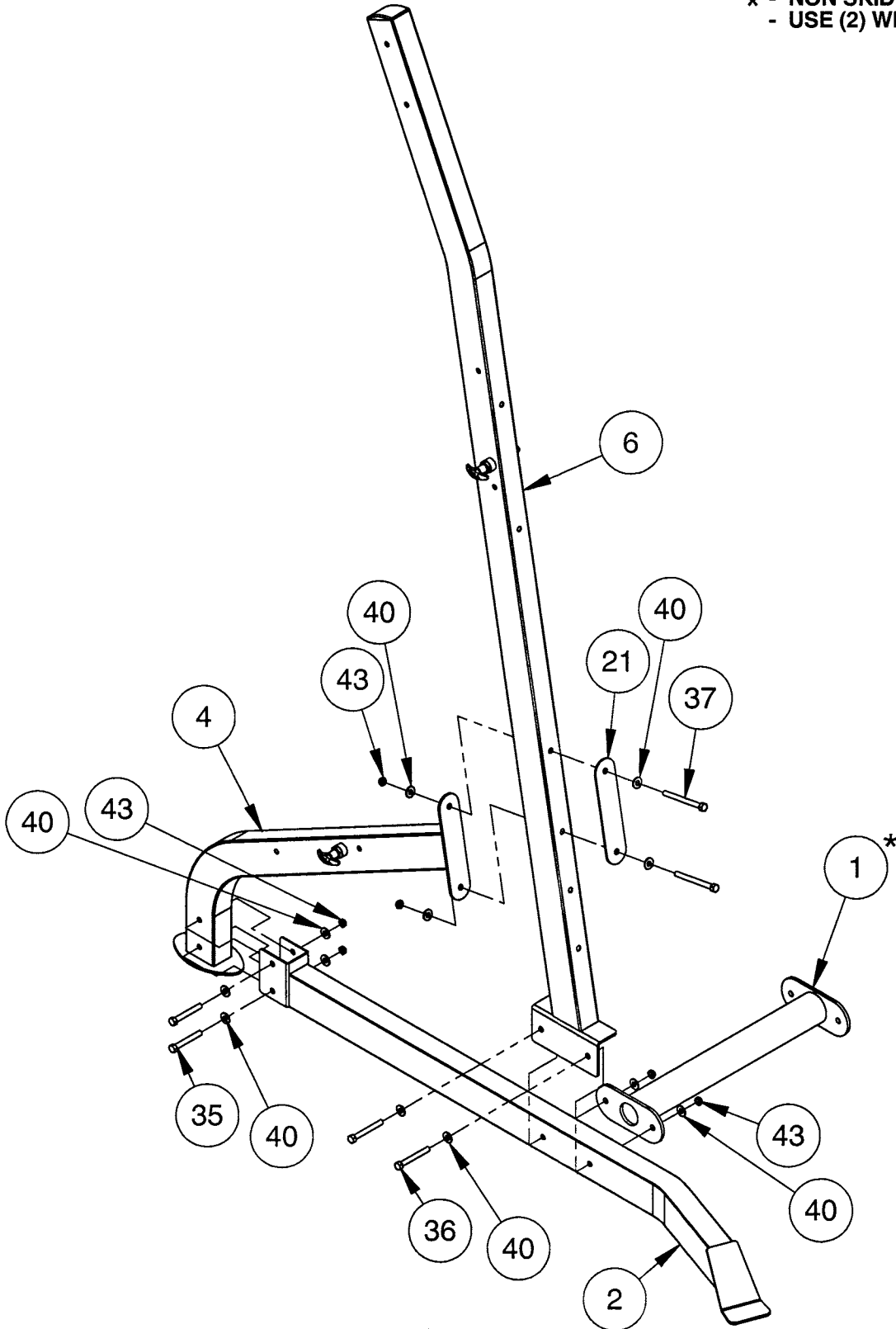
OWNERS MANUAL

FRAME ASSEMBLY STEP 1

ITEM NO.	PART NUMBER	DESCRIPTION
1	026-01X2166	CROSS MEMBER ASSEMBLY
2	026-01X2172	FRONT FOOT ASSEMBLY (LEFT)
4	026-01X2167	REAR FOOT ASSEMBLY (LEFT)
6	026-01X2173	UPRIGHT ASSEMBLY (LEFT)
21	026-01P2198	FLANGE-F 2.00" X 9.00" LG.
35	011-0407069	3/8"-16UNC X 2.75" HHB (WZ)
36	011-0107047	3/8"-16UNC X 3.00" HHB (WZ)
37	011-0407025	3/8"-16UNC X 4.00" HHB (WZ)
40	013-0402007	3/8" X 22mm FLAT WASHER (WZ)
43	012-0104008	3/8"-16UNC THIN NYLOCK NUT (WZ)

OWNERS MANUAL

- NOTE:
- HAND TIGHTEN BOLTS.
* - NON SKID FACE UP.
- USE (2) WITHOUT DECAL.



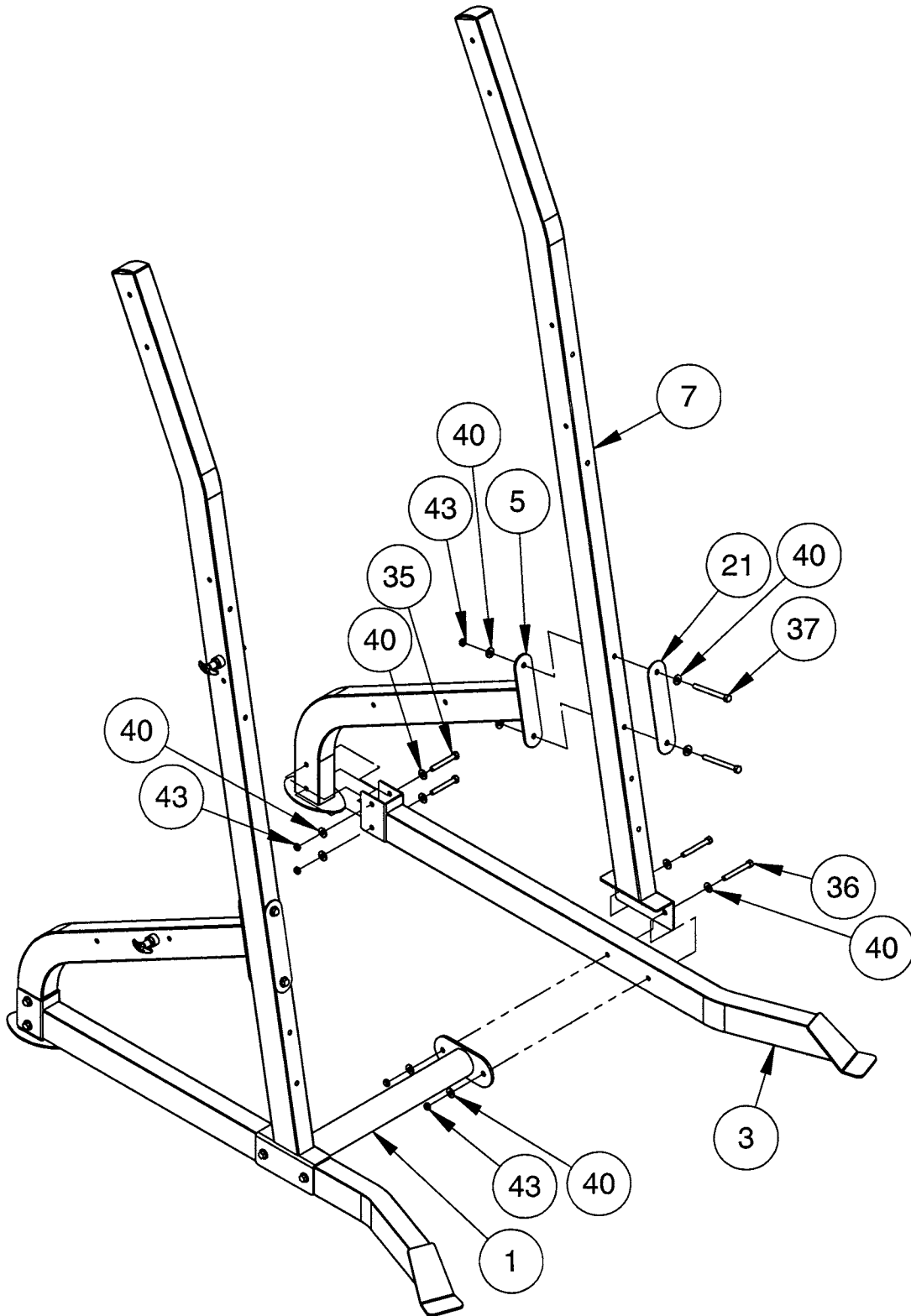
OWNERS MANUAL

FRAME ASSEMBLY STEP 2

ITEM NO.	PART NUMBER	DESCRIPTION
1	026-01X2166	CROSS MEMBER ASSEMBLY
3	026-01X2272	FRONT FOOT ASSEMBLY (RIGHT)
5	026-01X2175	REAR FOOT ASSEMBLY (RIGHT)
7	026-01X2174	UPRIGHT ASSEMBLY (RIGHT)
21	026-01P2198	FLANGE-F 2.00" X 9.00" LG.
35	011-0407069	3/8"-16UNC X 2.75" HHB (WZ)
36	011-0107047	3/8"-16UNC X 3.00" HHB (WZ)
37	011-0407025	3/8"-16UNC X 4.00" HHB (WZ)
40	013-0402007	3/8" X 22mm FLAT WASHER (WZ)
43	012-0104008	3/8"-16UNC THIN NYLOCK NUT (WZ)

OWNERS MANUAL

NOTE:
- HAND TIGHTEN BOLTS.



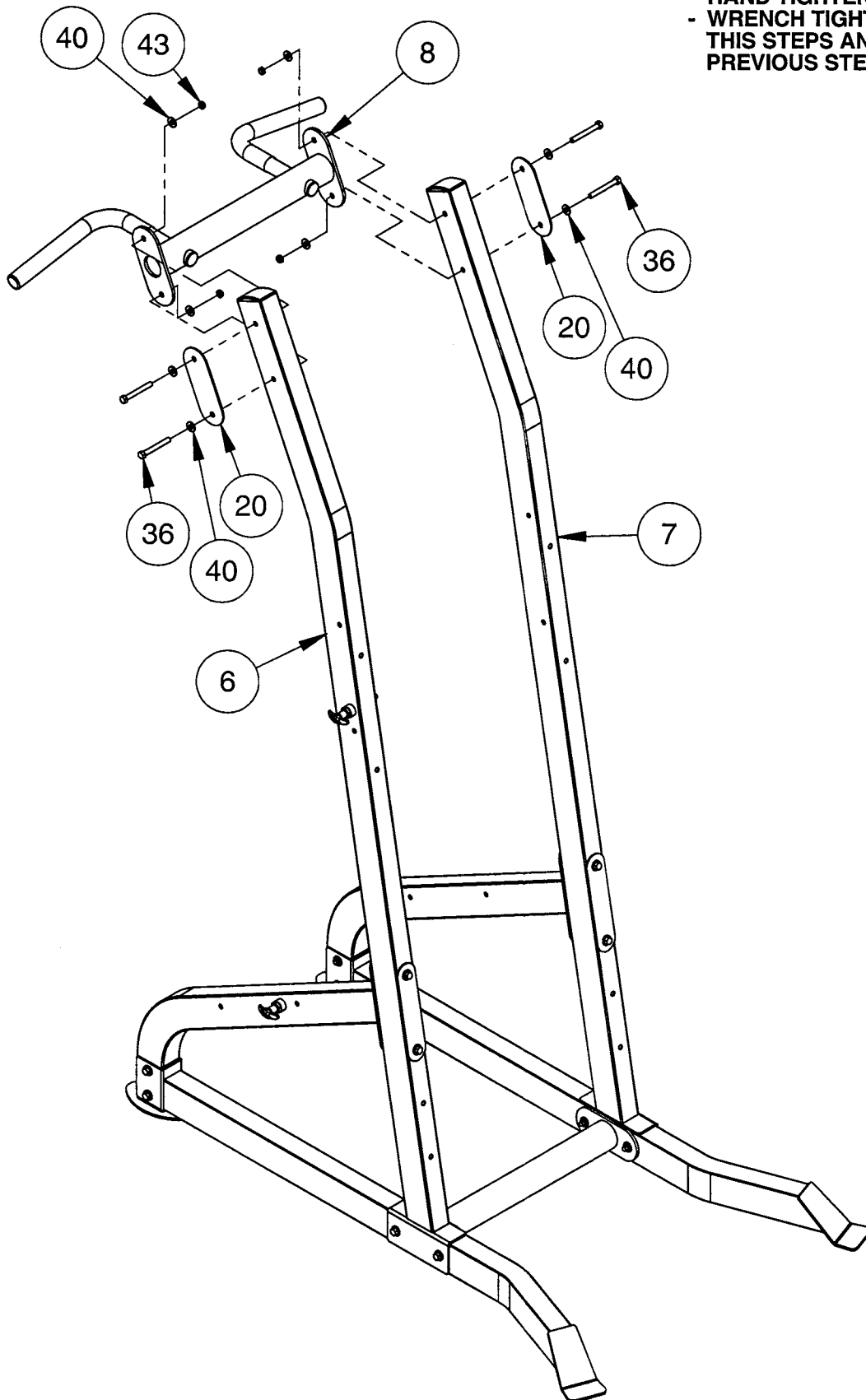
OWNERS MANUAL

FRAME ASSEMBLY STEP 3

ITEM NO.	PART NUMBER	DESCRIPTION
6	026-01X2173	UPRIGHT ASSEMBLY (LEFT)
7	026-01X2174	UPRIGHT ASSEMBLY (RIGHT)
8	026-01X2171	CROSS BEAM ASSEMBLY
20	026-01P2196	FLANGE-F 2.75" X 7.00" LG.
36	011-0107047	3/8"-16UNC X 3.00" HHB (WZ)
40	013-0402007	3/8" X 22mm FLAT WASHER (WZ)
43	012-0104008	3/8"-16UNC THIN NYLOCK NUT (WZ)

OWNERS MANUAL

NOTE:
- HAND TIGHTEN BOLTS FIRST.
- WRENCH TIGHTEN ALL BOLTS
THIS STEPS AND FROM ALL
PREVIOUS STEPS.



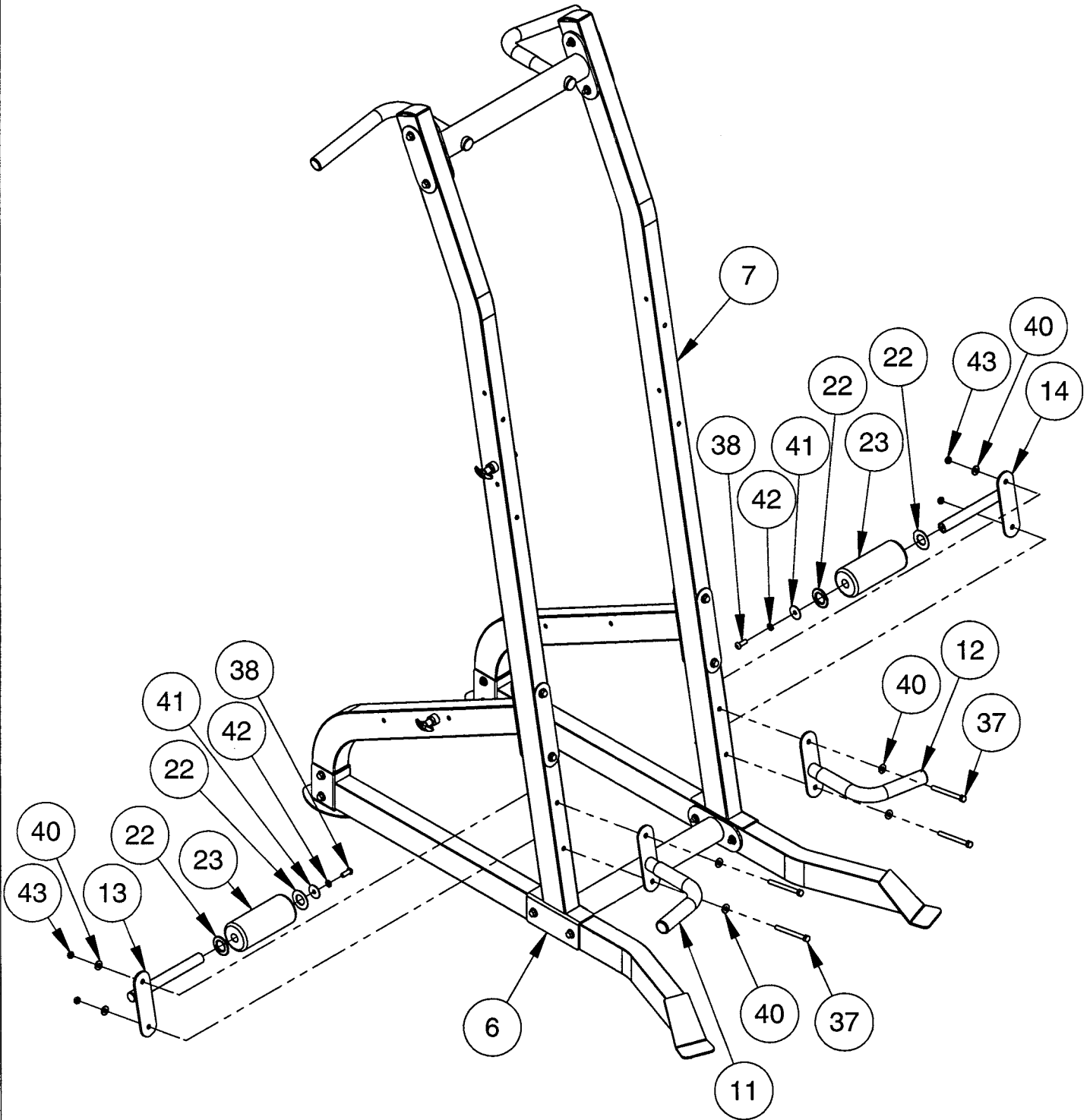
OWNERS MANUAL

FRAME ASSEMBLY STEP 4

ITEM NO.	PART NUMBER	DESCRIPTION
6	026-01X2173	UPRIGHT ASSEMBLY (LEFT)
7	026-01X2174	UPRIGHT ASSEMBLY (RIGHT)
11	026-01X2170	HANDLE ASSEMBLY (LEFT)
12	026-01X2169	HANDLE ASSEMBLY (RIGHT)
13	026-01X2177	ROLLER ASSEMBLY (LEFT)
14	026-01X2178	ROLLER ASSEMBLY (RIGHT)
22	026-01PL2009	PLASTIC WASHER 2.00" O.D. X 1.062" I.D.
23	022-01PDR013	ROLLER PAD ϕ 3.00" X 7.00" LG.
37	011-0407025	3/8"-16UNC X 4.00" HHB (WZ)
38	011-0101026	3/8"-16UNC X 1.00" BHCS (WZ)
40	013-0402007	3/8" X 22mm FLAT WASHER (WZ)
41	013-0303007	3/8" FENDER WASHER (WZ)
42	013-0102020	3/8" SPLIT LOCK WASHER (WZ)
43	012-0104008	3/8"-16UNC THIN NYLOCK NUT (WZ)

OWNERS MANUAL

NOTE:
- WRENCH TIGHTEN BOLTS
AND SCREWS.



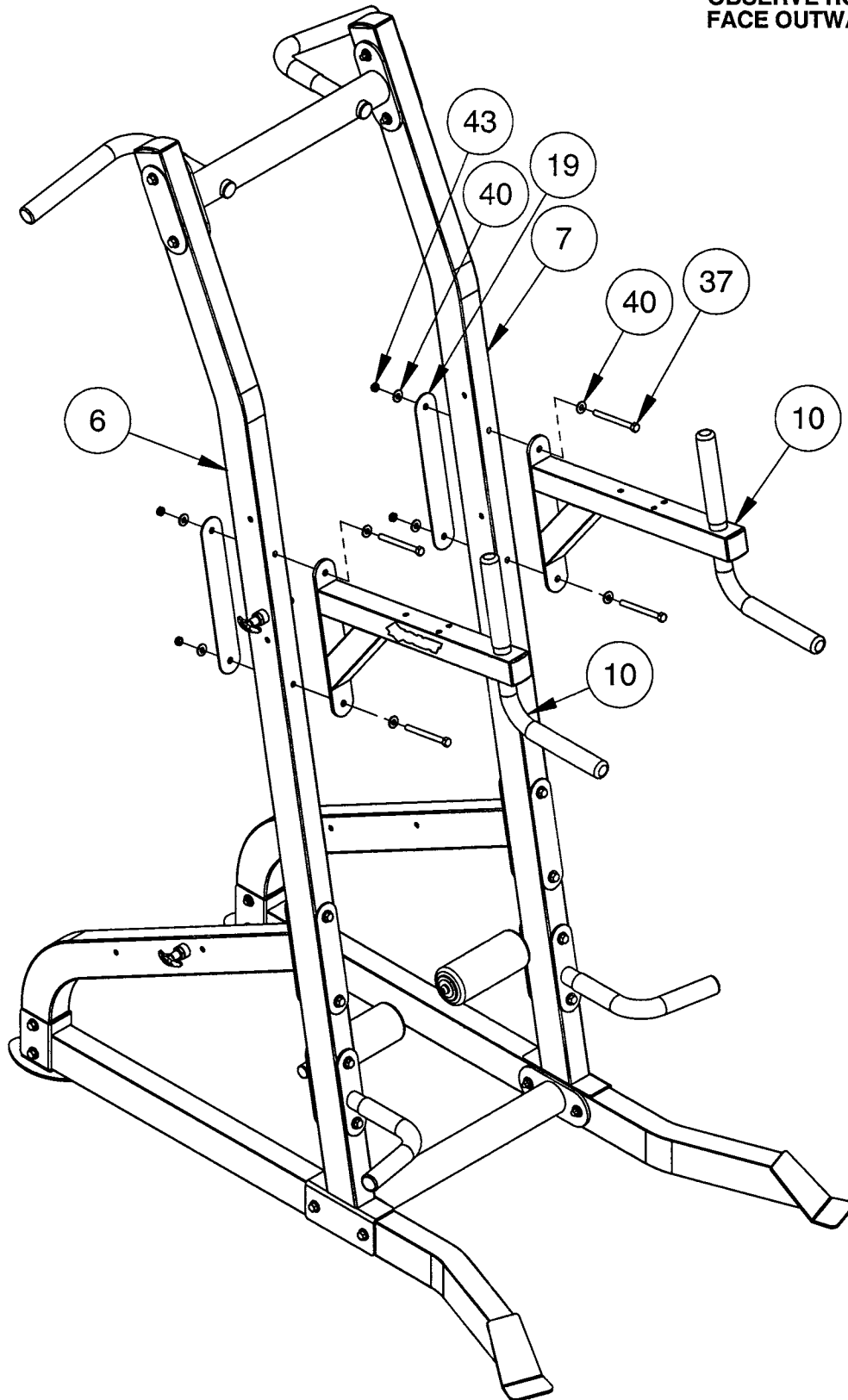
OWNERS MANUAL

FRAME ASSEMBLY STEP 5

ITEM NO.	PART NUMBER	DESCRIPTION
6	026-01X2173	UPRIGHT ASSEMBLY (LEFT)
7	026-01X2174	UPRIGHT ASSEMBLY (RIGHT)
10	026-01X2168	ARM PAD MOUNT ASSEMBLY
19	026-01P2195	FLANGE-F 2.00" X 12.75" LG.
37	011-0407025	3/8"-16UNC X 4.00" HHB (WZ)
40	013-0402007	3/8" X 22mm FLAT WASHER (WZ)
43	012-0104008	3/8"-16UNC THIN NYLOCK NUT (WZ)

OWNERS MANUAL

NOTE:
- WRENCH TIGHTEN BOLTS.
- OBSERVE HOIST DECALS
FACE OUTWARD ON (10).



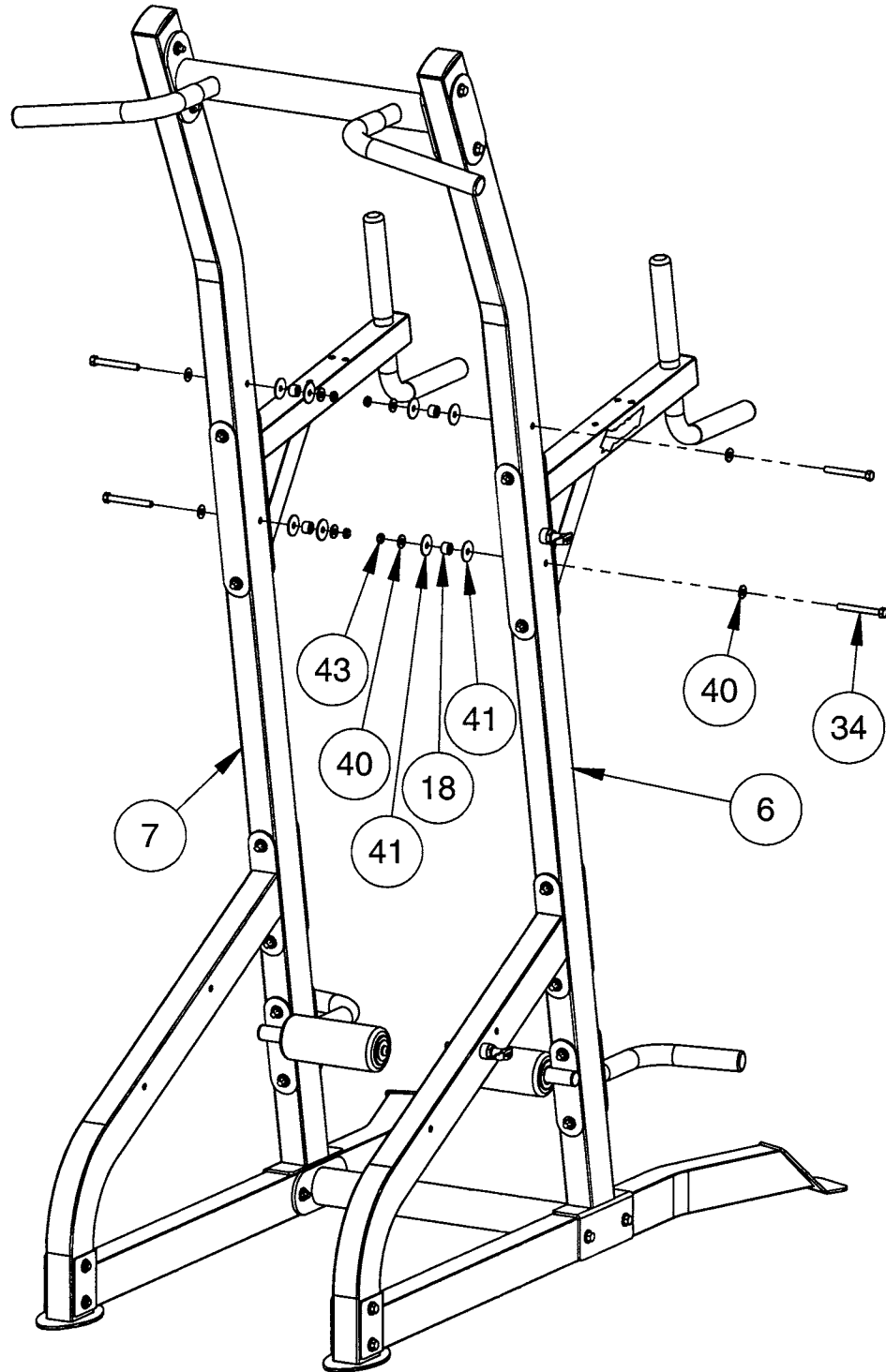
OWNERS MANUAL

FRAME ASSEMBLY STEP 6

ITEM NO.	PART NUMBER	DESCRIPTION
6	026-01X2173	UPRIGHT ASSEMBLY (LEFT)
7	026-01X2174	UPRIGHT ASSEMBLY (RIGHT)
18	026-01T2418	.50" SPACER
34	011-0407059	3/8"-16UNC X 3.25" HHB (WZ)
40	013-0402007	3/8" X 22mm FLAT WASHER (WZ)
41	013-0303007	3/8" FENDER WASHER (WZ)
43	012-0104008	3/8"-16UNC THIN NYLOCK NUT (WZ)

OWNERS MANUAL

NOTE:
- WRENCH TIGHTEN BOLTS.



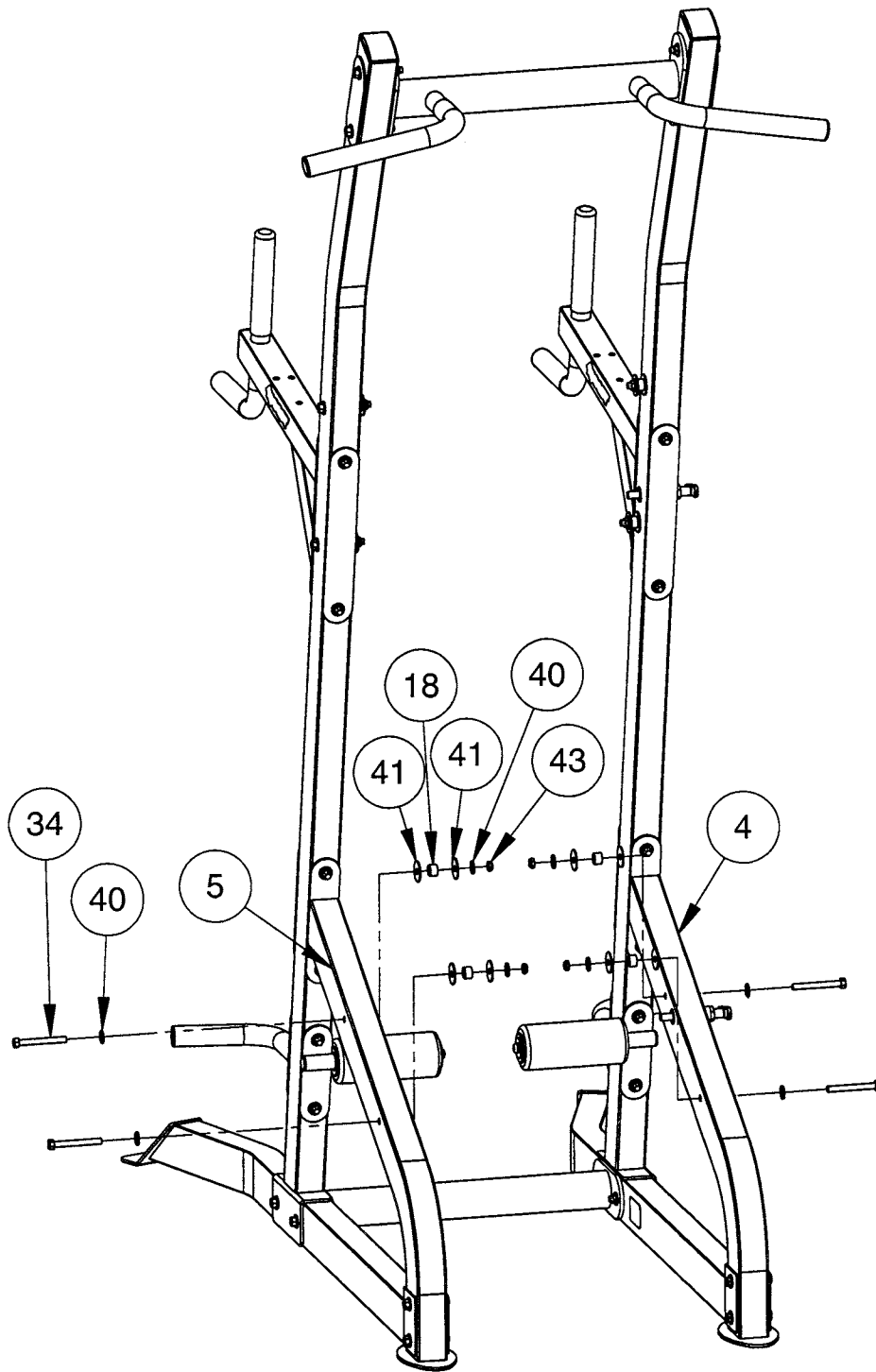
OWNERS MANUAL

FRAME ASSEMBLY STEP 7

ITEM NO.	PART NUMBER	DESCRIPTION
4	026-01X2167	REAR FOOT ASSEMBLY (LEFT)
5	026-01X2175	REAR FOOT ASSEMBLY (RIGHT)
18	026-01T2418	.50" SPACER
34	011-0407059	3/8"-16UNC X 3.25" HHB (WZ)
40	013-0402007	3/8" X 22mm FLAT WASHER (WZ)
41	013-0303007	3/8" FENDER WASHER (WZ)
43	012-0104008	3/8"-16UNC THIN NYLOCK NUT (WZ)

OWNERS MANUAL

NOTE:
- WRENCH TIGHTEN BOLTS.



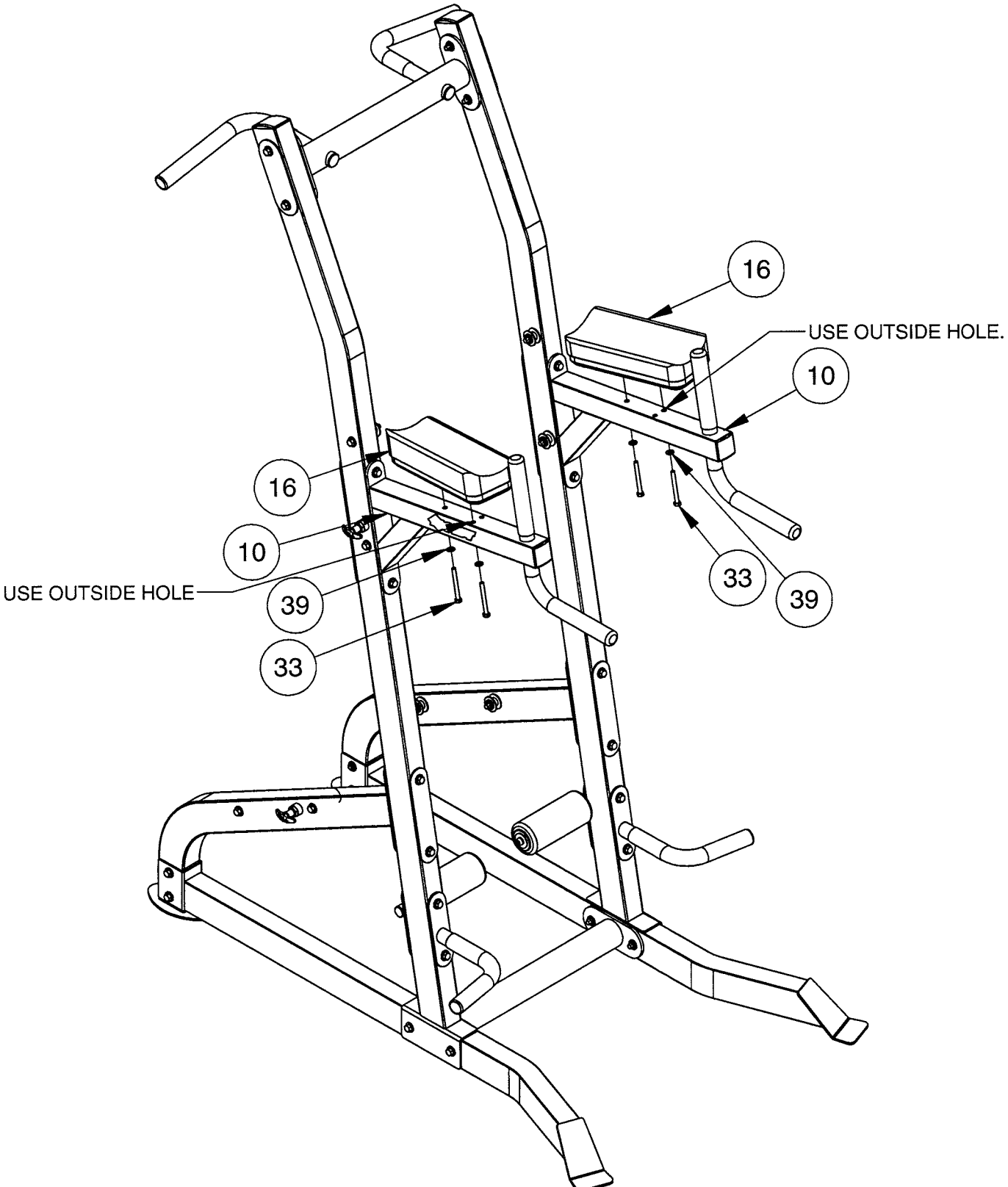
OWNERS MANUAL

FRAME ASSEMBLY STEP 8

ITEM NO.	PART NUMBER	DESCRIPTION
10	026-01X2168	ARM PAD MOUNT ASSEMBLY
16	022-01PD2029-A	UPHOLSTERY PAD W/ACX BACKING
33	011-0407030	5/16"-18UNC X 3.00" HHB (WZ)
39	013-0302008	5/16" USS FLAT WASHER (WZ)

OWNERS MANUAL

NOTE:
- WRENCH TIGHTEN BOLTS.



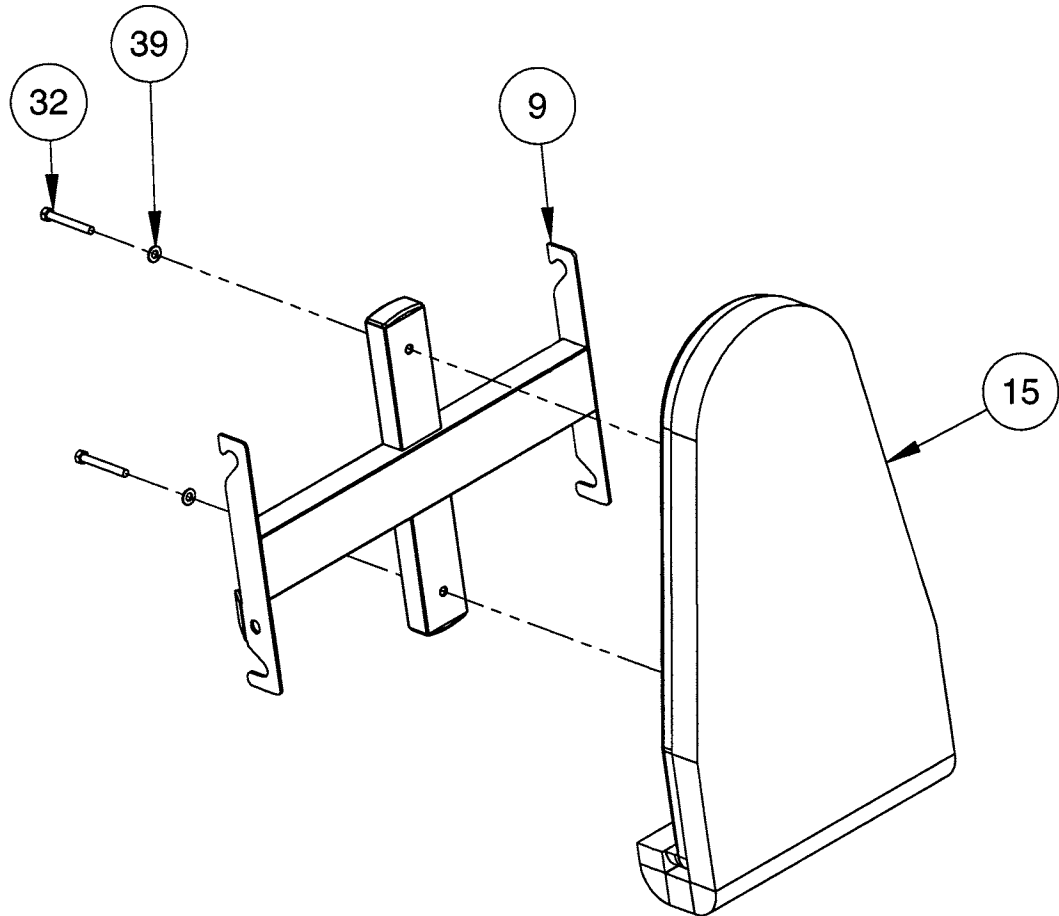
OWNERS MANUAL

FRAME ASSEMBLY STEP 9

ITEM NO.	PART NUMBER	DESCRIPTION
9	026-01X2165	PAD MOUNT ASSEMBLY
15	022-01PD2028-A	UPHOLSTERY PAD W/ACX BACKING
32	011-0407041	5/16"-18UNC X 2.50" HHB (WZ)
39	013-0302008	5/16" USS FLAT WASHER (WZ)

OWNERS MANUAL

NOTE:
- WRENCH TIGHTEN BOLTS.



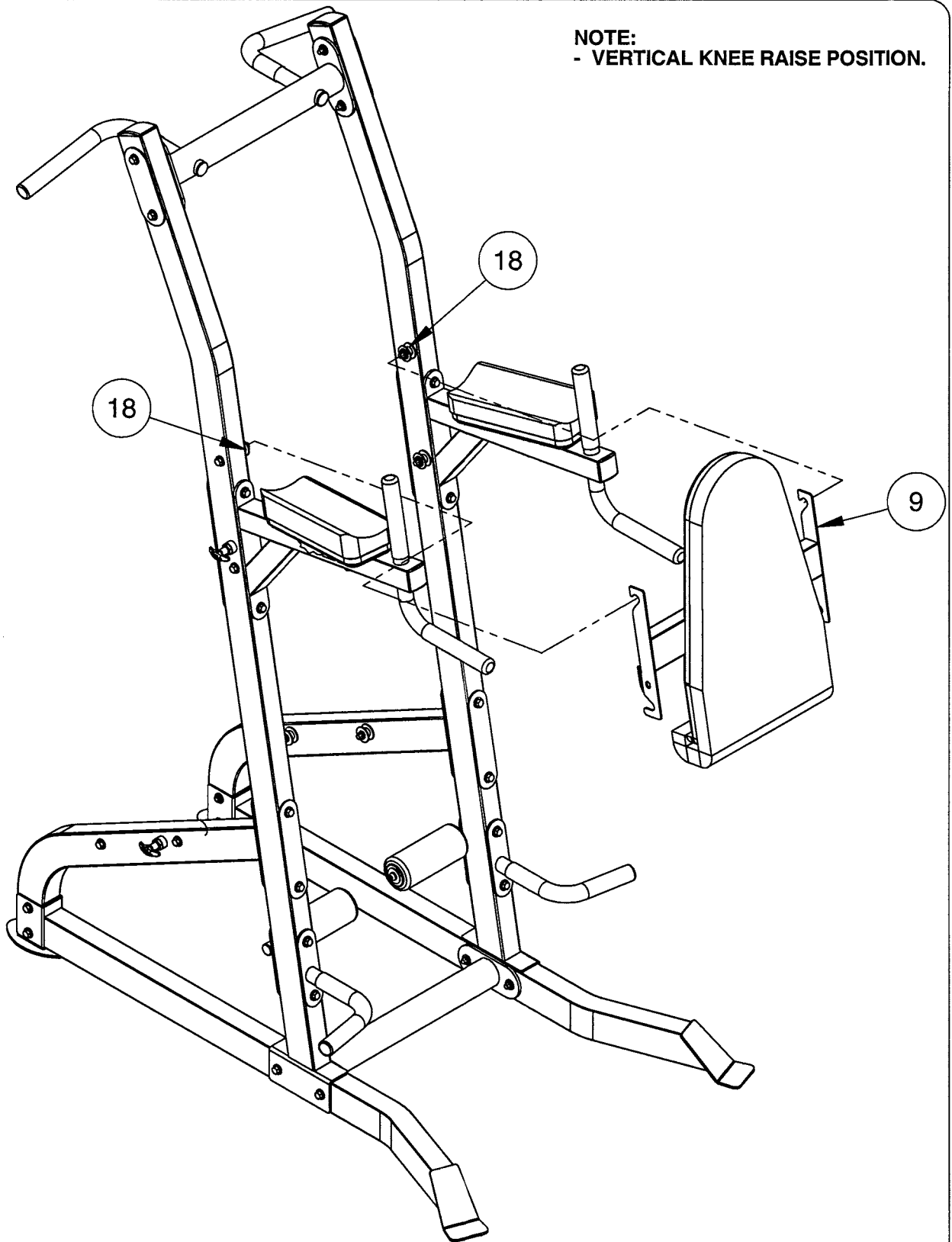
OWNERS MANUAL

FRAME ASSEMBLY STEP 10

ITEM NO.	PART NUMBER	DESCRIPTION
9	026-01X2165	PAD MOUNT ASSEMBLY
18	026-01T2418	.50" SPACER

OWNERS MANUAL

NOTE:
- VERTICAL KNEE RAISE POSITION.



IMPORTANT

NOW THAT THE HF4962 MACHINE IS COMPLETELY ASSEMBLED TAKE TIME TO ASSURE THAT YOUR UNIT IS ASSEMBLED SQUARE AND PERPENDICULAR.

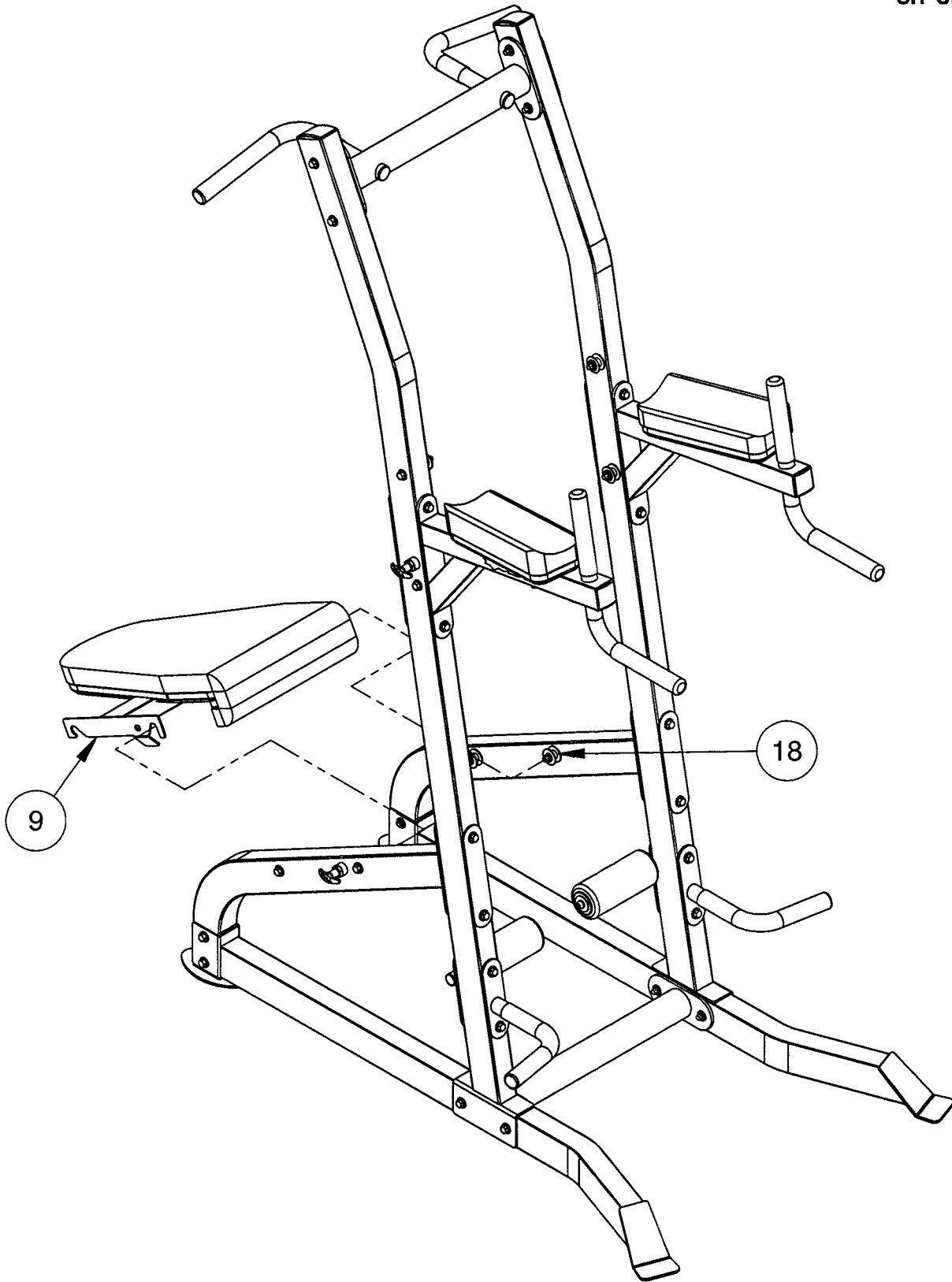
OWNERS MANUAL

FRAME ASSEMBLY STEP 11

ITEM NO.	PART NUMBER	DESCRIPTION
9	026-01X2165	PAD MOUNT ASSEMBLY
18	026-01T2418	.50" SPACER

OWNERS MANUAL

NOTE:
- SIT-UP POSITION.

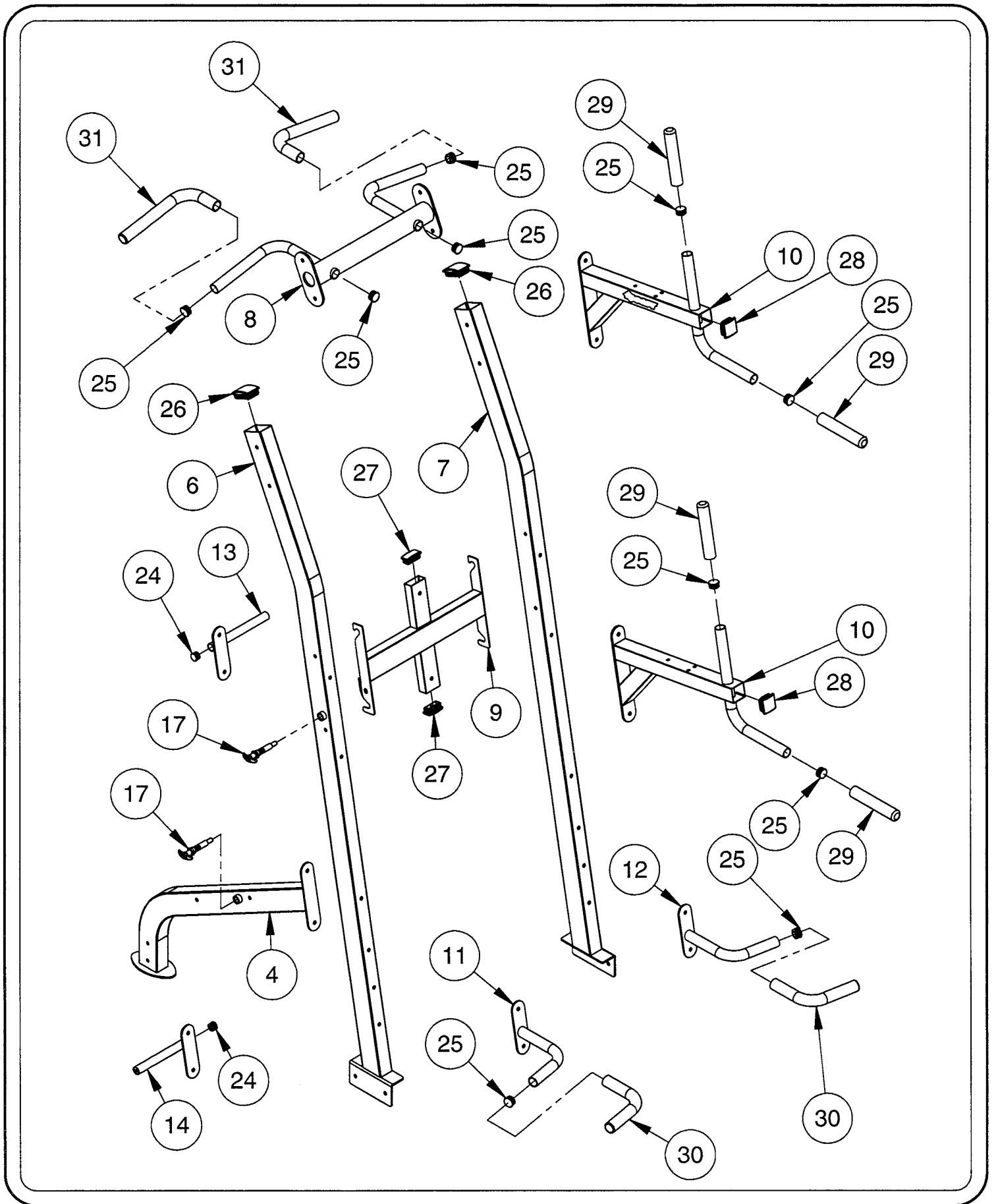


OWNERS MANUAL

PRE-ASSEMBLY

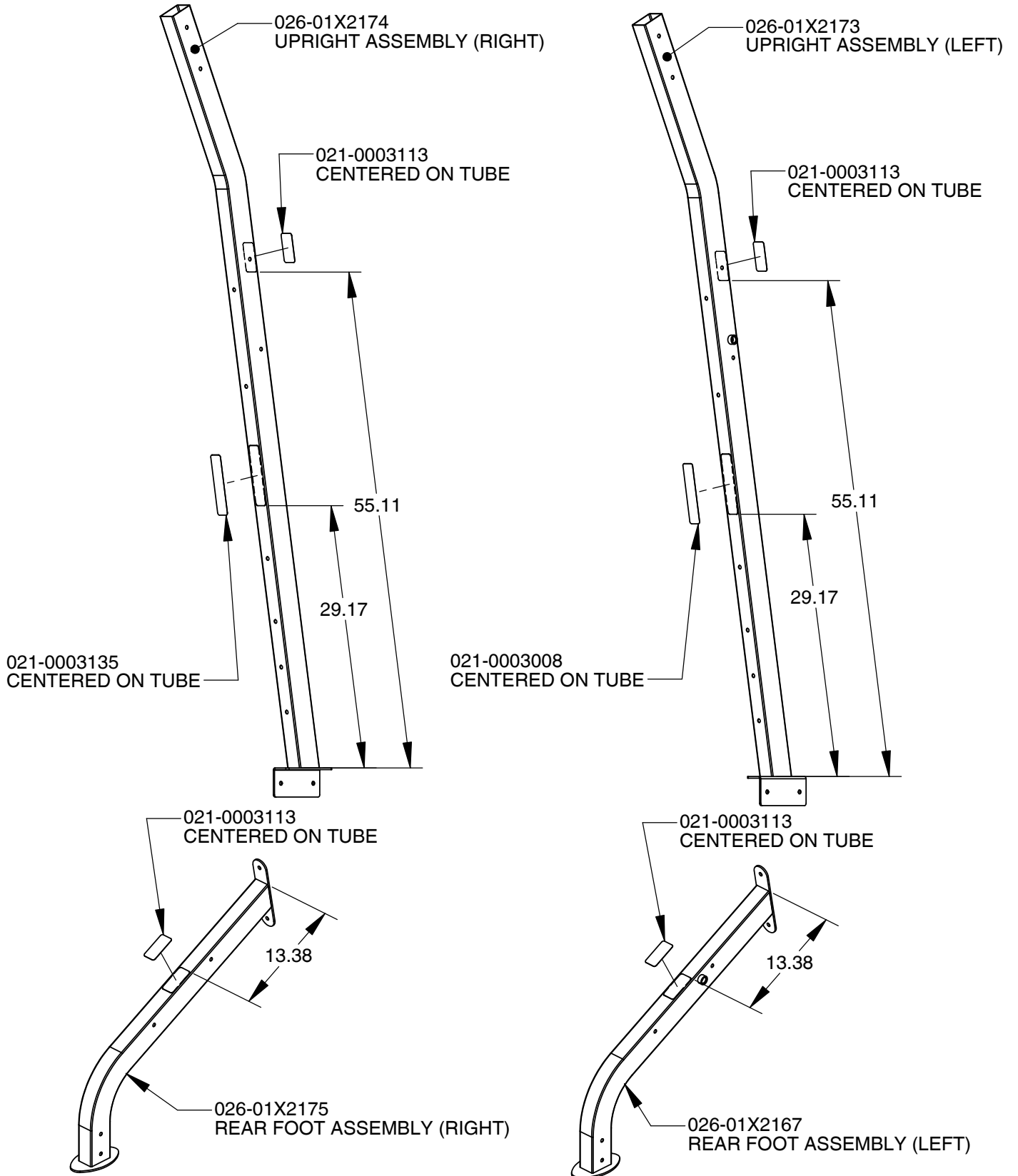
ITEM NO.	PART NUMBER	DESCRIPTION
4	026-01X2167	REAR FOOT ASSEMBLY (LEFT)
6	026-01X2173	UPRIGHT ASSEMBLY (LEFT)
7	026-01X2174	UPRIGHT ASSEMBLY (RIGHT)
8	026-01X2171	CROSS BEAM ASSEMBLY
9	026-01X2165	PAD MOUNT ASSEMBLY
10	026-01X2168	ARM PAD MOUNT ASSEMBLY
11	026-01X2170	HANDLE ASSEMBLY (LEFT)
12	026-01X2169	HANDLE ASSEMBLY (RIGHT)
13	026-01X2177	ROLLER ASSEMBLY (LEFT)
14	026-01X2178	ROLLER ASSEMBLY (RIGHT)
17	026-01X0186	PULL-PIN ASSEMBLY
24	016-0201037	Ø 1.00" ENDCAP (DOMED)
25	016-0201038	Ø 1.25" ENDCAP (DOMED)
26	016-0201034	END CAP-R 2.00" X 3.00" (BLACK)
27	016-0201048	END CAP-R 30mm X 60mm (BLACK)
28	016-0201032	END CAP-R 2.00" X 2.00" (BLACK)
29	019-0002033	CLOSED END GRIP Ø 1.25"
30	019-0002044	CLOSED END GRIP Ø 1.25"
31	019-0002045	CLOSED END GRIP Ø 1.25"

OWNERS MANUAL



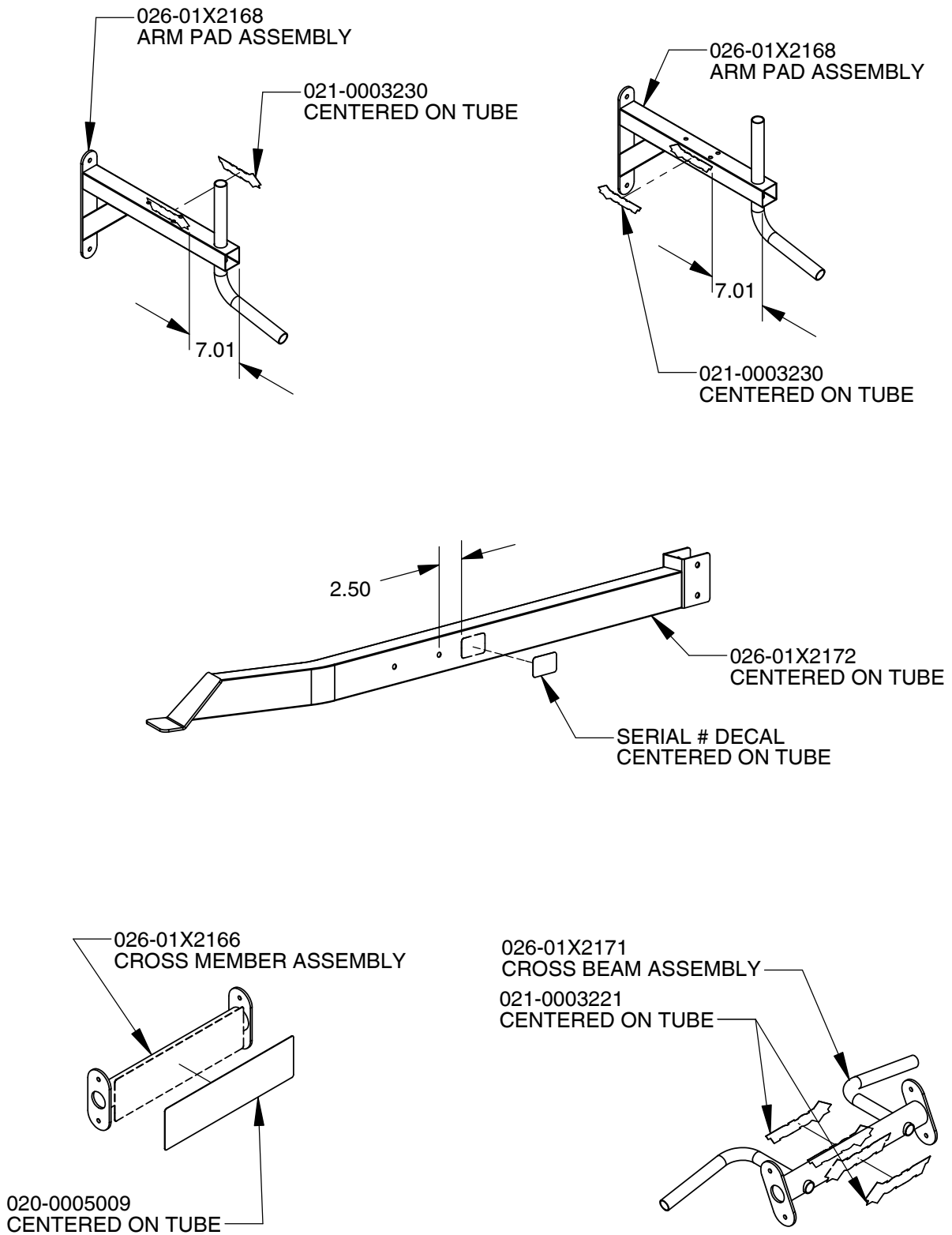
OWNERS MANUAL

DECAL PLACEMENT



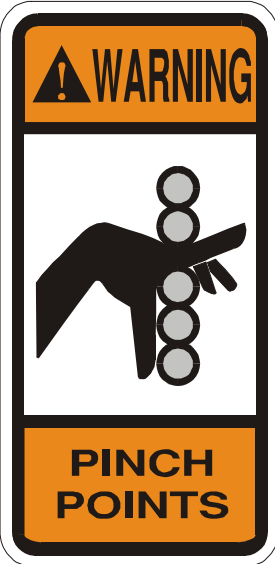
OWNERS MANUAL

DECAL PLACEMENT



OWNERS MANUAL

DECAL REFERENCE



021-0003113



021-0003135

NOTICE	COMMERCIAL MAINTENANCE	Frequency			
		Daily	Weekly	Monthly	Yearly
Inspect; Links, Pull Pins, Snap Locks, Swivels, Weight Stack Pins	X				
Clean; Upholstery		X			
Inspect; Cables or Belts and their tension	X				
Inspect; Accessory Bars and Handles		X			
Inspect; All Decals		X			
Inspect; All nuts and Bolts Tighten if Needed.		X			
Inspect; Anti-Skid Surfaces		X			
Clean & Lubricate; Guide Rods with a Teflon (PTFE) based lubricant (Superlube)			X		
Lubricate; Seat Sleeves, Turcite Bushings, Linear Bearing			X		
Clean & Wax; All Glossy Finishes				X	
Repack with Grease Linear Bearings				X	
Replace; Cables, Belts and Connecting Parts.					X

021-0003008



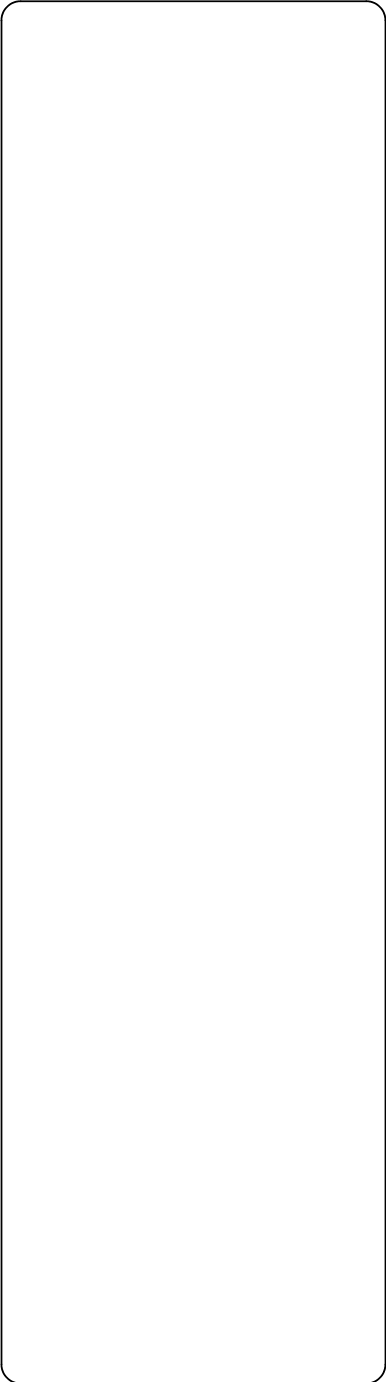
021-0003230



021-0003221

OWNERS MANUAL

DECAL REFERENCE



SERIAL # DECAL

020-0005009
5.00" X 18.00" NON SKID



OWNERS MANUAL

PART LIST

NOTE: SOME OF THESE PARTS MAY COME PRE-INSTALLED

ITEM NO.	PART NUMBER	DESCRIPTION	QTY.
1	026-01X2166	CROSS MEMBER ASSEMBLY	1
2	026-01X2172	FRONT FOOT ASSEMBLY (LEFT)	1
3	026-01X2272	FRONT FOOT ASSEMBLY (RIGHT)	1
4	026-01X2167	REAR FOOT ASSEMBLY (LEFT)	1
5	026-01X2175	REAR FOOT ASSEMBLY (RIGHT)	1
6	026-01X2173	UPRIGHT ASSEMBLY (LEFT)	1
7	026-01X2174	UPRIGHT ASSEMBLY (RIGHT)	1
8	026-01X2171	CROSS BEAM ASSEMBLY	1
9	026-01X2165	PAD MOUNT ASSEMBLY	1
10	026-01X2168	ARM PAD MOUNT ASSEMBLY	2
11	026-01X2170	HANDLE ASSEMBLY (LEFT)	1
12	026-01X2169	HANDLE ASSEMBLY (RIGHT)	1
13	026-01X2177	ROLLER ASSEMBLY (LEFT)	1
14	026-01X2178	ROLLER ASSEMBLY (RIGHT)	1
15	022-01PD2028-A	UPHOLSTERY PAD W/ACX BACKING	1
16	022-01PD2029-A	UPHOLSTERY PAD W/ACX BACKING	2
17	026-01X0186	PULL-PIN ASSEMBLY	2
18	026-01T2418	.50" SPACER	8
19	026-01P2195	FLANGE-F 2.00" X 12.75" LG.	2
20	026-01P2196	FLANGE-F 2.75" X 7.00" LG.	2
21	026-01P2198	FLANGE-F 2.00" X 9.00" LG.	2
22	026-01PL2009	PLASTIC WASHER 2.00" O.D. X 1.062" I.D.	4
23	022-01PDR013	ROLLER PAD ϕ 3.00" X 7.00" LG.	2
24	016-0201037	ϕ 1.00" ENDCAP (DOMED)	2
25	016-0201038	ϕ 1.25" ENDCAP (DOMED)	10
26	016-0201034	END CAP-R 2.00" X 3.00" (BLACK)	2
27	016-0201048	END CAP-R 30mm X 60mm (BLACK)	2
28	016-0201032	END CAP-R 2.00" X 2.00" (BLACK)	2
29	019-0002033	CLOSED END GRIP ϕ 1.25"	4
30	019-0002044	CLOSED END GRIP ϕ 1.25"	2
31	019-0002045	CLOSED END GRIP ϕ 1.25"	2
32	011-0407041	5/16"-18UNC X 2.50" HHB (WZ)	2
33	011-0407030	5/16"-18UNC X 3.00" HHB (WZ)	4
34	011-0407059	3/8"-16UNC X 3.25" HHB (WZ)	8
35	011-0407069	3/8"-16UNC X 2.75" HHB (WZ)	4
36	011-0107047	3/8"-16UNC X 3.00" HHB (WZ)	8
37	011-0407025	3/8"-16UNC X 4.00" HHB (WZ)	12
38	011-0101026	3/8"-16UNC X 1.00" BHCS (WZ)	2
39	013-0302008	5/16" USS FLAT WASHER (WZ)	6
40	013-0402007	3/8" X 22mm FLAT WASHER (WZ)	64
41	013-0303007	3/8" FENDER WASHER (WZ)	18
42	013-0102020	3/8" SPLIT LOCK WASHER (WZ)	2
43	012-0104008	3/8"-16UNC THIN NYLOCK NUT (WZ)	32

OWNERS MANUAL

ABBREVIATION LISTING

BZ = Black Zinc

WZ = White Zinc

FHCS = Flat Head Cap Screw

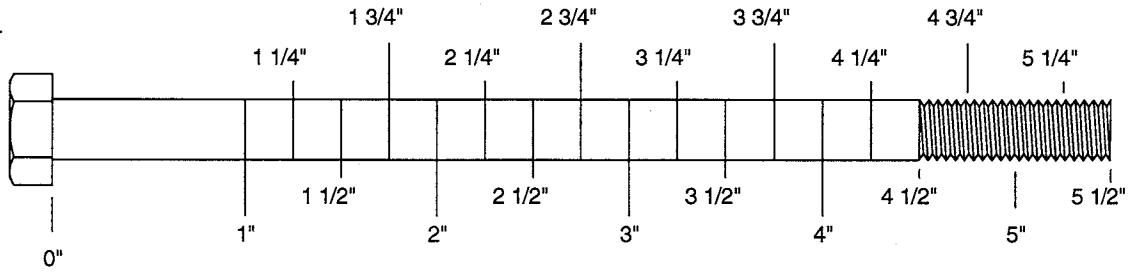
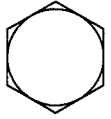
BHCS = Button Head Cap Screw

SHCS = Socket Head Cap Screw

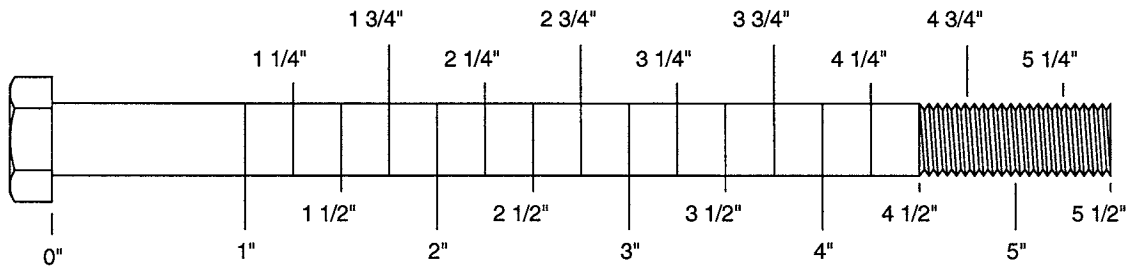
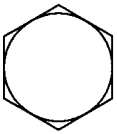
HHB = Hex Head Bolt

OWNERS MANUAL

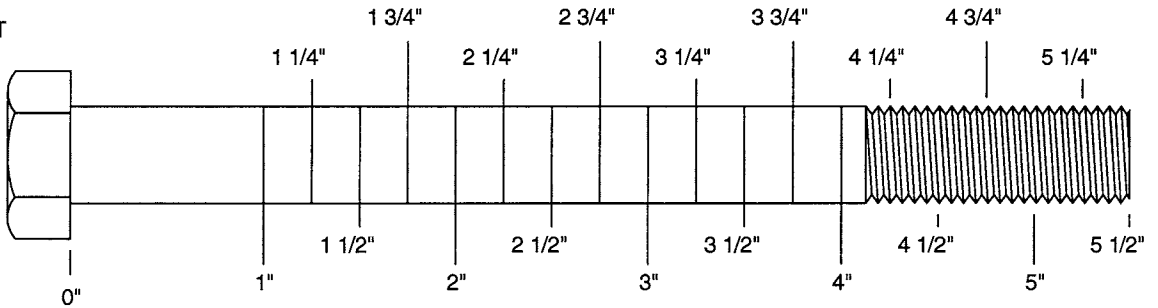
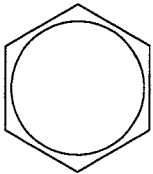
5/16" HEX BOLT



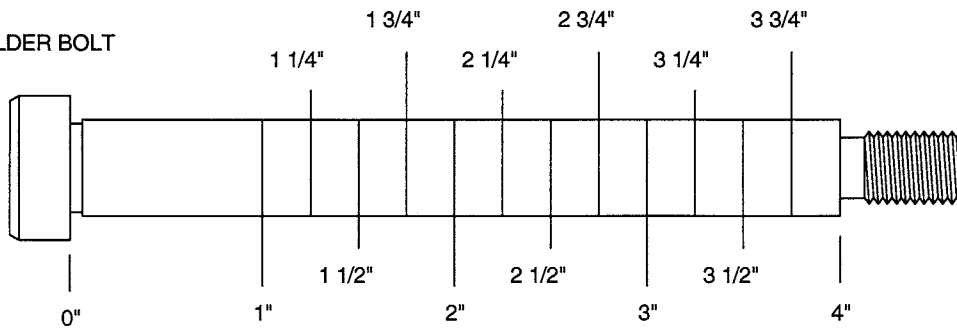
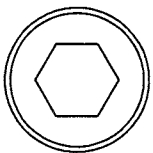
3/8" HEX BOLT



1/2" HEX BOLT

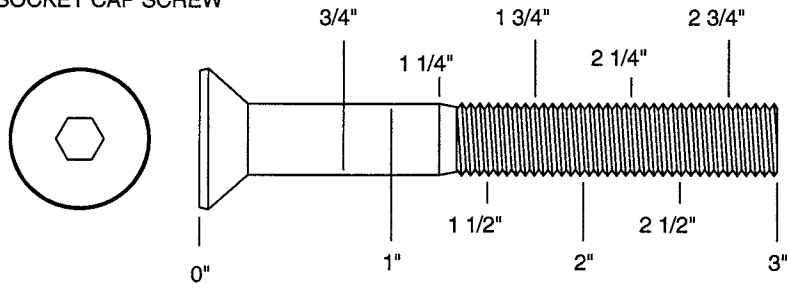


1/2" SHOULDER BOLT

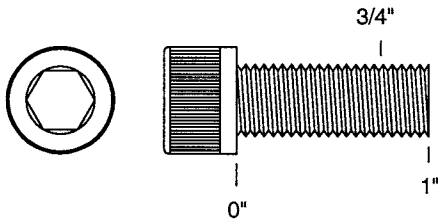


OWNERS MANUAL

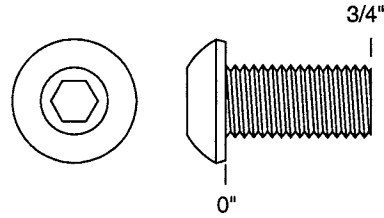
3/8" FLATHEAD
SOCKET CAP SCREW



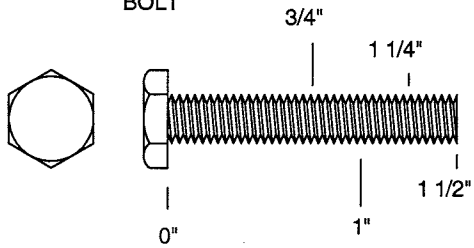
3/8" SOCKET
CAP SCREW



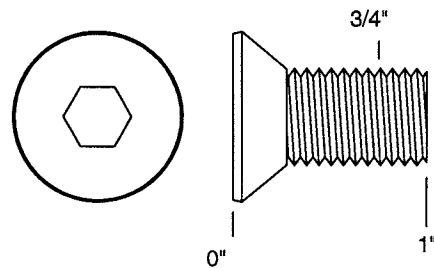
3/8" BUTTON
HEAD CAP SCREW



1/4" HEX
BOLT

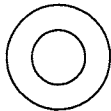


1/2" FLATHEAD
SOCKET CAP SCREW

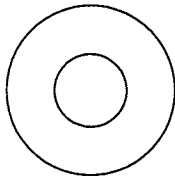


OWNERS MANUAL

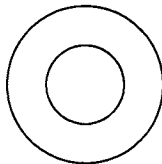
013-0002003
1/4"
FLAT WASHER
SMALL, SAE, 13mm



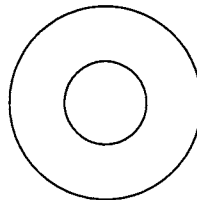
013-0102004
5/16"
FLAT WASHER
LARGE, USS, 22mm



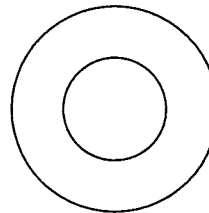
013-0002004
3/8"
FLAT WASHER
SMALL, SAE, 21mm



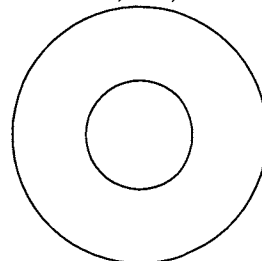
013-0402005
3/8"
FLAT WASHER
LARGE, USS, 25mm



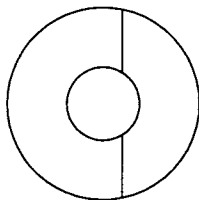
013-0102003
1/2"
FLAT WASHER
SMALL, SAE, 27mm



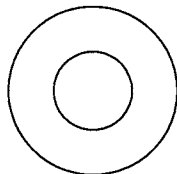
013-0102026
1/2"
FLAT WASHER
LARGE, USS, 34mm



013-0102028
3/8"
CURVED WASHER



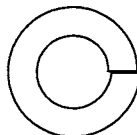
013-0402007
3/8"
FLAT WASHER
22mm O.D.



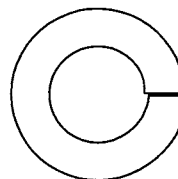
013-0102019
1/4"
LOCK WASHER



013-0102020
3/8"
LOCK WASHER



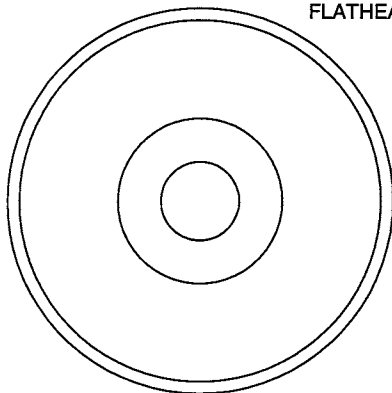
013-0102018
1/2"
LOCK WASHER



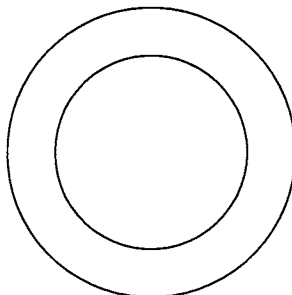
014-0018001
1/2" LONG
SPACER



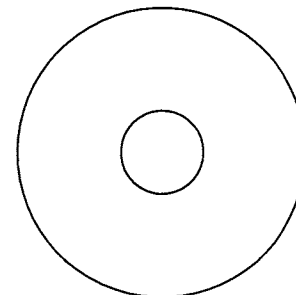
026-01M0238
2" ALUMINUM
FLATHEAD CAP



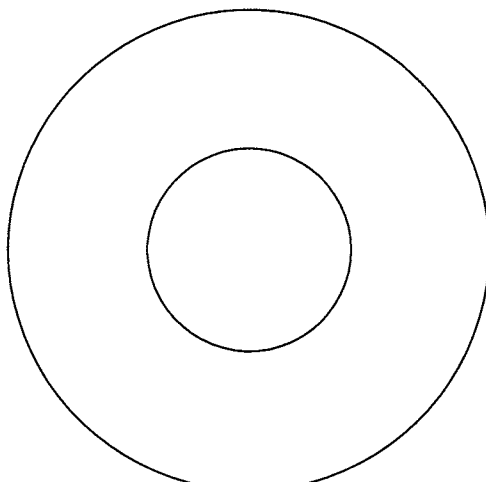
016-0009003
1" SHIM WASHER



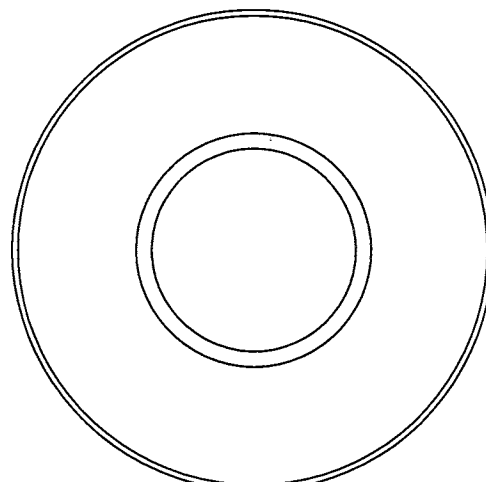
013-0003002
3/8" FENDER WASHER



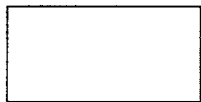
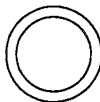
013-0003004
1 1/16"
FENDER WASHER



026-01PL151
PLASTIC 1 1/16"
FENDER WASHER

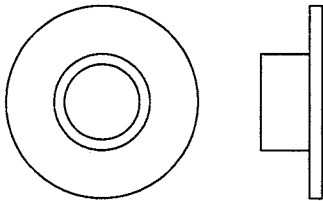


014-0018002
1" LONG
SPACER

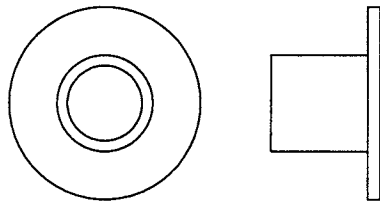


OWNERS MANUAL

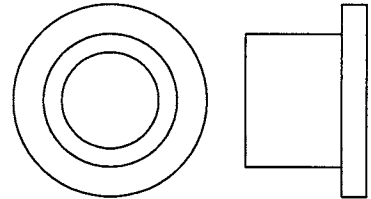
026-01M0211
1/4" LONG
FLANGED SPACER



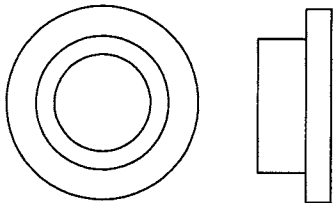
026-01M0198
1/2" LONG
FLANGED SPACER



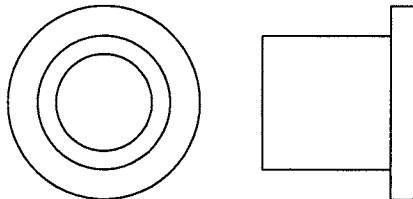
026-01M0760
1/2" LONG HEAVY
FLANGED SPACER



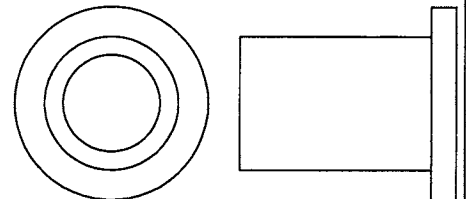
026-01M211T
1/4" LONG HEAVY
FLANGED SPACER



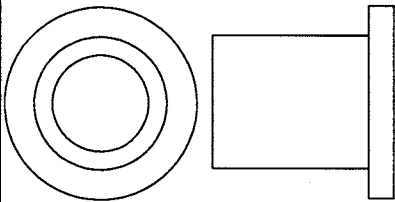
026-01M0532
11/16" LONG HEAVY
FLANGED SPACER



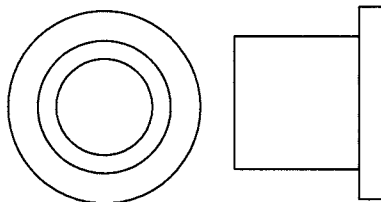
026-01M0551
1" LONG HEAVY
FLANGED SPACER



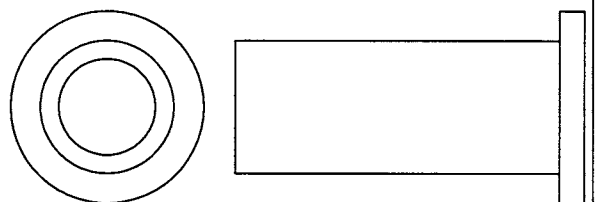
026-01M0788
.81" LONG HEAVY
FLANGED SPACER



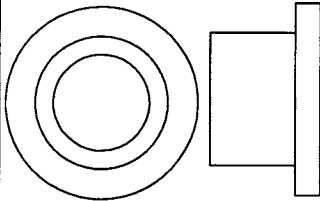
026-01M0780
.65" LONG HEAVY
FLANGED SPACER



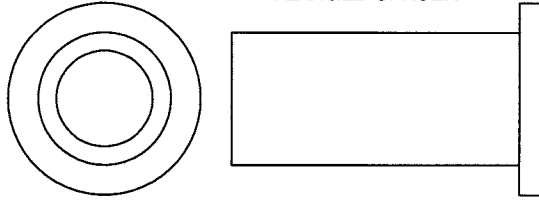
026-01M0761
1 11/16" LONG HEAVY
FLANGED SPACER



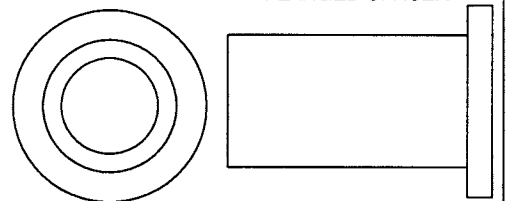
026-01M0789
.44" LONG HEAVY
FLANGED SPACER



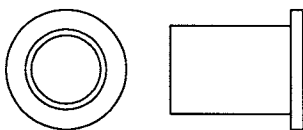
026-01M0762
1 1/2" LONG HEAVY
FLANGED SPACER



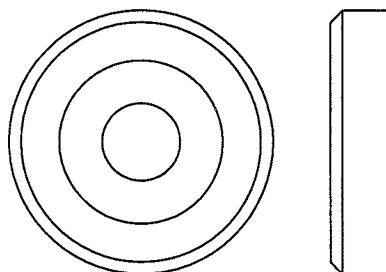
026-01M0768
1 1/4" LONG HEAVY
FLANGED SPACER



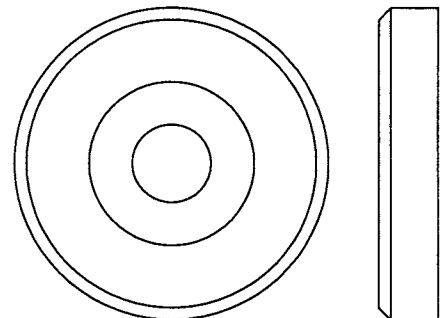
026-01M0600
.625" LONG
FLANGED SPACER



026-01M0240
1 3/8" ALUMINUM
FLATHEAD CAP



026-01M0239
1 5/8" ALUMINUM
FLATHEAD CAP



OWNERS MANUAL

MAINTENANCE SCHEDULE

ROUTINE	COMMERCIAL MAINTENANCE	HOME MAINTENANCE	LATEST DATE ENTRY																	
Inspect; Links, Pull Pins, Snap Locks, Swivels, Weight Stack Pins	DAILY	WEEKLY																		
Clean; Upholstery	DAILY	WEEKLY																		
Inspect; Cables or Belts and their tension	DAILY	WEEKLY																		
Inspect; Accessory Bars, and Handles	WEEKLY	3 MONTHS																		
Inspect; All Decals	WEEKLY	3 MONTHS																		
Inspect; All Nuts and Bolts, Tighten if needed	WEEKLY	3 MONTHS																		
Inspect; Anti-Skid Surface	WEEKLY	3 MONTHS																		
Clean & Lubricate; Guide Rods with a Teflon (PTFE) based lubricant (Superlube)	MONTHLY	3 MONTHS																		
Lubricate; Seat Sleeves, Turcite Bushings, Linear Bearing	MONTHLY	3 MONTHS																		
Clean and Wax; All Glossy Finishes	6 MONTHS	YEARLY																		
Repack with Grease; Linear Bearings	6 MONTHS	YEARLY																		
Replace; Cables, Belts and Connecting Parts	YEARLY	3 YEARS																		

*Your equipment comes with a commercial maintenance decal.
For personal, in home use, please follow the home maintenance schedule listed above.*

OWNERS MANUAL

HOIST FITNESS SYSTEMS **GENERAL MAINTENANCE INFORMATION**

Links, Pull-Pins, Snap Hooks, Swivels, Weight Stack Pins:

- *Check all pieces for signs of visible wear or damage.
- *Check springs in snap hooks and pull-pins for proper tension and alignment.
- *If the spring sticks or has lost its rigidity, replace it immediately.

Upholstery:

- *To ensure prolonged upholstery life and proper hygiene, all upholstered pads should be wiped down with a damp cloth after every workout.
- *Periodically take the time to use a mild soap or an approved vinyl upholstery cleaner to deter the onset of cracking or drying. Avoid using any abrasive cleaners or cleaners not intended for use on vinyl.
- *Replace ripped or worn upholstery immediately.
- *Keep sharp or pointed objects clear of all upholstery.

Decals:

- *Inspect and familiarize yourself with any safety warnings or other user information posted on each decal.

Nuts and Bolts:

- *Inspect all nuts and bolts for any loosening and tighten if needed.
- *Go through a re-tightening sequence periodically to ensure that all hardware is tensioned proper.

Anti-Skid Surfaces:

- *These surfaces are designed to supply secure footing and need to be replaced if they appear worn or become slippery.

Belts and Cables:

- *Hoist uses only high quality belt, and mil-spec cables.
- *Visually inspect the belts and cables for fraying, cracking, peeling or discoloration.
- *While the machine is not in use, carefully run your fingers along the belt or cable to feel for thinning or bulging areas.
- *Replace belts and cables immediately at the first signs of damage or wear. Do not use equipment until belts or cables have been replaced.

OWNERS MANUAL

GENERAL MAINTENANCE INFORMATION

(CONTINUED)

Belt and Cable Tension:

*Referring to the Owners Manual, when belts or cables are used check all bolts attachments to be sure they are properly attached.

*Check slack in cables and re-adjust cable tension if needed.

Seat Sleeves, Guide Rods:

*Wipe down adjusting tubes with a dust free rag before applying lubricant.

*Lubricate seat sleeves and Guide Rods with a Silicon or Teflon based lubricant spray.

Linear Bearings:

*Referring to the Owners Manual carefully dis-assemble the bearing from its housing and place a finger full of light grease (lithium, super lube, etc.) into the inside of the bearing. Using your finger, press the grease into the ball-bearings and their tracks. repeat until the ball-bearing tracks are full of grease. Insert the shaft back into the bearing and wipe off excess grease.

PLEASE KEEP THIS FOR YOUR RECORDS

WEIGHT TRAINING TIPS

Always consult your physician before starting any exercise program.

To be successful in your exercise program, it is important to develop an understanding of the basic principles of strength training. Now that you have your HF4962 HOIST® Fitness System, it is only natural that you want to get started immediately. First, determine a set of realistic goals and objectives for yourself. By deciding on an exercise plan that is right for you prior to starting, you will contribute significantly to your success.

Warm up properly before engaging in weight resistance training. Stretching, yoga, jogging, calisthenics or other cardiovascular exercise can help prepare your body for the heavier workload of lifting weights.

Learn how to perform the exercise correctly before using heavy weight. Correct form is important to avoid injury and to ensure that you work the proper muscle groups.

Know your limitations. If you are new to weight training or are embarking on an exercise regimen after a long layoff, start slowly and build foundational strength over a longer period of time.

Pay attention to your breathing. Exhale when you exert is a general rule of thumb. Never hold your breath.

Enjoy your HF4962 HOIST Fitness System!

OWNERS MANUAL

HOIST FITNESS SYSTEMS **LIMITED LIFETIME WARRANTY**

Hoist Fitness Systems warrants this product to the **original purchaser** to be free from defects in workmanship and/or materials under normal use or service. If at any time a component part is defective, Hoist Fitness Systems shall repair or replace it (at Hoist Fitness Systems option) within a reasonable period of time. This warranty does not cover costs of removal, transportation or reinstallation. This warranty shall not apply if the defect was caused by misuse, neglect or normal wear and tear.

Starting from the original date of purchase, normal wear and tear shall be considered as the following:

COMMERCIAL USE: All malfunctions of upholstery, grips, paint, and chrome that occur after one year; all malfunctions of electronic components, belts, or cables after one year; all malfunctions of pulleys, bearings, or bushings that occur after five years. The frame and all welded components are warranted for the life of the product.

HOME USE: All malfunctions of grips, paint, and chrome that occur after ten years; all malfunctions of electronic components, belts, cables, or upholstery that occur after ten years; all malfunctions of pulleys, bearings, or bushings that occur after ten years. The frame and all welded components are warranted for the life of the product.

PLEASE NOTE THAT NOT ALL HOIST PRODUCTS ARE MADE FOR COMMERCIAL USE.

Refer to the instructions page of your owners manual or consult with your fitness product dealer to establish if a product is made for commercial use or not. Using a non-commercial product in a commercial setting can result in serious injury or death!

Hoist Fitness Systems sole responsibility shall be to repair or replace the component within the terms stated above. Hoist Fitness Systems shall not be liable for any loss or damage of any kind including any incidental or consequential damages resulting, directly or indirectly from any warranty expressed or implied or any other failure of this product.

WHAT IS NOT COVERED BY THIS WARRANTY

Hoist's sole obligation under this warranty is limited to either repair or replacement of parts, subject to the additions below. This warranty neither assumes nor authorizes any person to assume obligations other than expressly covered by this warranty.

NO CONSEQUENTIAL DAMAGES. Hoist is not responsible for economic loss; profit loss; or special, indirect, or consequential damages.

WARRANTY IS NOT TRANSFERABLE. This warranty is not assignable and applies only in favor of the original purchaser/user to whom delivered. Any such assignment or transfer shall void the warranties herein made and shall void all warranties, expressed, implied or statutory, except the one (1) and five (5) year warranties described above. These warranties are exclusive and in lieu of all other warranties, including implied warranty and merchantability or fitness for a particular purpose. There are no warranties which extend beyond the description on the face hereof.

TRANSPORTATION COSTS. Hoist will accept parts covered under this warranty freight collect, provided that shipment has received prior approval. Hoist is not responsible for any other transportation costs, but will ship freight collect parts either repaired or replaced under these warranties.

WARRANTY CLAIMS. All claims should include: model number, the serial number, proof of purchase, date of installation, and all pertinent information supporting the existence of the alleged defect.

Hoist Fitness Systems
9990 Empire St. #130
San Diego, Calif. 92126
(800)548-5438

Web Site - www.hoistfitness.com

PLEASE KEEP THIS FOR YOUR RECORDS