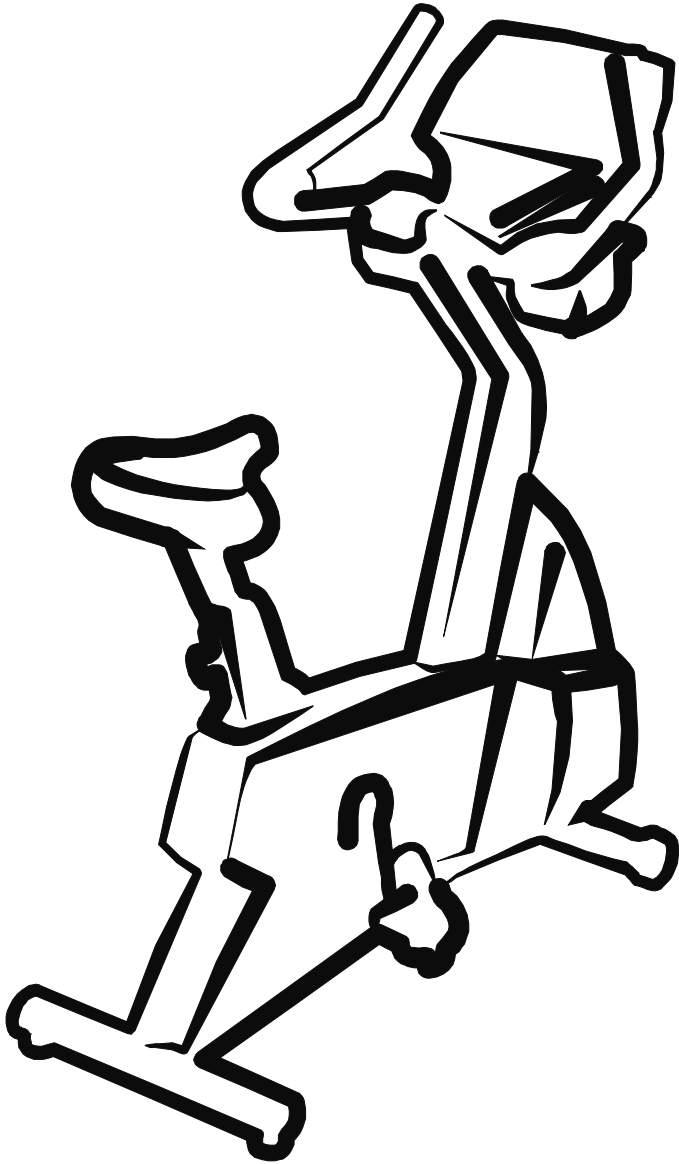


# C SERIES

**C9i / C7i Exercise Bikes**

OPERATION MANUAL



*LifeFitness*

## CORPORATE HEADQUARTERS

10601 West Belmont Avenue  
Franklin Park, Illinois 60131 • U.S.A.  
847.288.3300 • FAX: 847.288.3703  
800.735.3867 (Toll-free within U.S.A., Canada)

## INTERNATIONAL OFFICES

### LIFE FITNESS ASIA PACIFIC LTD

Room 2610, Miramar Tower  
132 Nathan Road  
Tsimshatsui, Kowloon  
HONG KONG  
Telephone: (+852) 2891.6677  
FAX: (+852) 2575.6001

### LIFE FITNESS ATLANTIC BV

#### LIFE FITNESS BENELUX

Bijdorpplein 25-31  
2992 LB Barendrecht  
THE NETHERLANDS  
Telephone: (+31) 180.646.666  
FAX: (+31) 180.646.699

### LIFE FITNESS DO BRAZIL

Av. Dr. Dib Sauaia Neto 1478  
Alphaville, Barueri, SP  
06465-140  
BRAZIL  
Telephone (+55) 11.4193.8282  
FAX: (+55) 11.4193.8283

### LIFE FITNESS AUSTRIA

Vertriebs GmbH  
Hintschiggasse 1  
1100 Vienna  
AUSTRIA  
Telephone: (+43) 1.61 57 198  
FAX: (+43) 1.61 57 198.20

### LIFE FITNESS IBERIA

Pol. Ind. Molí dels Frares. c/C, nº 12  
08620 Sant Vicenç dels Horts (Barcelona)  
España  
Telephone: (+34) 93.672.4660  
Fax: (+34) 93.672.4670

### LIFE FITNESS EUROPE GMBH

Siemensstrasse 3  
85716 Unterschleissheim  
GERMANY  
Telephone: (+49) 89.31 77 51.0  
FAX: (+49) 89.31 77 51.99

### LIFE FITNESS ITALIA S.R.L.

Via Elvas 92  
39042 Bressanone (BZ)  
ITALY  
Telephone: (+39) 0472.835 470  
FAX: (+39) 0472.833 150

### LIFE FITNESS LATIN AMERICA and CARIBBEAN

10601 West Belmont Avenue  
Franklin Park, Illinois 60131  
U.S.A.  
Telephone: (+1) 847.288.3300  
FAX:(+1) 847.288.3762

### LIFE FITNESS UK LTD

Queen Adelaide  
Ely, Cambs CB7 4UB  
UNITED KINGDOM  
Telephone: (+44) 1.353.666 017  
FAX: (+44) 1.353.666 018

### LIFE FITNESS JAPAN

Nippon Brunswick Bldg., #8F  
5-27-7 Sendagaya  
Shibuya-Ku, Tokyo  
Japan 151-0051  
Telephone: (+81) 3.3359.4309  
FAX: (+81) 3.3359.4307

Before using the Lifecycle<sup>®</sup> Exercise Bike, it is essential to read this ENTIRE Operation Manual and ALL Assembly Instructions. These documents provide instructions for setting up the bike quickly and using it correctly.

### **FCC Warning - Possible Radio / Television Interference**

**NOTE:** *This equipment has been tested and found to comply with the limits for a Class B digital device, pursuant to part 15 of the FCC rules. These limits are designed to provide reasonable protection against harmful interference in a residential installation. This equipment generates, uses and can radiate radio frequency energy, and if not installed and used in accordance with the instructions, may cause harmful interference to radio communications. However, there is no guarantee that the interference will not occur in a particular installation. If this equipment does cause harmful interference to radio or television reception, which can be determined by turning the equipment off and on, the user is encouraged to try to correct the interference by one or more of the following measures:*

- Reorient or relocate the receiving antenna.
- Increase the separation between the equipment and the receiver.
- Connect the equipment into an outlet on a circuit different from that to which the receiver is connected.
- Consult the dealer or an experienced radio/TV technician for help.



**CAUTION:** Any changes or modifications to this equipment could void the product warranty!

An authorized service representative must perform any service, other than cleaning or user maintenance. There are no user serviceable parts.

## TABLE OF CONTENTS

Section	Description	Page
1.	Getting Started.....	5
1.1	Important Safety Instructions .....	5
1.2	Set Up.....	7
	Where to Place the Lifecycle Exercise Bike // How to Stabilize the Lifecycle Exercise Bike // How to Adjust the Seat // How to Adjust the Pedal Straps // Starting Up the Bike Console	
2.	The Display Console.....	10
2.1	Display Console Overview.....	10
2.2	Display Console Descriptions .....	11
2.3	The Accessory Tray (Standard on the C9i optional on the C7i) .....	12
3.	Heart Rate Zone Training® + Exercise .....	13
3.1	Why Heart Rate Zone Training Exercise? .....	13
3.2	Heart Rate Monitoring.....	14
	The Lifepulse® Digital Heart Rate Sensors (C9i only) // The Polar® Heart Rate Chest Strap	
4.	The Workouts .....	15
4.1	Workout Overviews.....	15
4.2	Using the Workouts .....	16
	To Begin Any Workout // Selecting and Using Quick Start // Selecting a Workout // Entering Age // Entering Time // Selecting and Adjusting an Intensity Level // Selecting a Workout Mode // Switching Workouts “On-the-Fly” // Pausing Workouts // Ending Workouts Early	
4.3	Workout Descriptions.....	18
	Quick Start // Hill // Random // Manual // Sport Training // EZ Resistance // Fat Burn // Cardio // Heart Rate Hill™ Workout // Heart Rate Interval™ Workout // Extreme Heart Rate™ Workout // Watts (C9i only) // METS (C9i only) // Aerobics Trainer (C9i only) // Six Pre-set Workouts (C9i only)	
4.4	My Workouts.....	24
	Using a Workout Saved Under My Workouts // Editing Settings for Workouts Saved Under My Workouts	
5.	Internal Settings.....	25
5.1	Optional Settings .....	25
	Entering and Using the Optional Settings Feature	
6.	Service and Technical Data.....	26
6.1	Preventive Maintenance Tips .....	26
6.2	Preventative Maintenance Schedule .....	27
6.3	Troubleshooting the Heart Rate Chest Strap .....	27
	Heart Rate Reading Is Erratic or Absent Entirely // Heart Rate Reading Is Erratic Or Extremely High	
6.4	Troubleshooting the Lifepulse sensors.....	27
6.5	How to Obtain Product Service .....	28
7.	Specifications.....	29
7.1	C9i Lifecycle Exercise Bike Specifications .....	29
7.2	C7i Lifecycle Exercise Bike Specifications .....	30

© 2002 Life Fitness®, a division of Brunswick Corporation. All rights reserved. Life Fitness, Lifecycle, Heart Rate Zone Training, and Lifepulse are registered trademarks of Brunswick Corporation. Heart Rate Hill, Heart Rate Interval, and Extreme Heart Rate are trademarks of Brunswick Corporation. Polar is a registered trademark of Polar Electro, Inc. Any use of these trademarks, without the express written consent of Life Fitness or the corresponding companies is forbidden.

This Operation Manual describes the functions of the following products:

Lifecycle Exercise Bike Models:

**C9i C7i**

See "Specifications" page in this manual for product specific features.

Statement of Purpose: The Exercise Bike is an exercise machine that enables users to simulate cycling in an upright position.



Health-related injuries may result from incorrect or excessive use of exercise equipment. Life Fitness **STRONGLY** recommends seeing a physician for a complete medical exam before undertaking an exercise program, particularly if the user has a family history of high blood pressure or heart disease; or is over the age of 45; or smokes, has high cholesterol, is obese, or has not exercised regularly in the past year. Life Fitness also recommends consulting a fitness professional on the correct use of this product.

If, at any time while exercising, the user experiences faintness, dizziness, pain, or shortness of breath, he or she must stop immediately.



Des problèmes de santé peuvent être causés par une utilisation incorrecte ou excessive de l'équipement. Life Fitness conseille **VIVEMENT** de consulter un médecin pour subir un examen médical complet avant de commencer tout programme d'exercice, et tout particulièrement si l'utilisateur a des antécédents familiaux d'hypertension ou de troubles cardiaques, ou s'il a plus de 45 ans, s'il fume, s'il a du cholestérol, s'il est obèse ou n'a pas fait d'exercice régulièrement depuis un an. Life Fitness recommande également de consulter un professionnel du conditionnement physique pour savoir comment utiliser correctement ce produit.

Si, pendant l'utilisation de l'appareil, l'utilisateur ressent un malaise, des vertiges, des douleurs ou des difficultés à respirer, il doit s'arrêter immédiatement.

# 1 GETTING STARTED

## 1.1 IMPORTANT SAFETY INSTRUCTIONS

- Before using this product, it is essential to read this ENTIRE operation manual and ALL instructions. The Lifecycle Exercise Bike is intended for use solely in the manner described in this manual.
- Always follow the console instructions for proper operation.
- Close supervision is necessary when used by or near children, invalids or disabled persons.
- If a Lifecycle Exercise Bike does not function properly after it has been dropped, damaged, or even partially immersed in water, contact Life Fitness Customer Support Services for assistance.
- Never insert objects into any opening in the Lifecycle Exercise Bike. If an object should drop inside, carefully retrieve it. If the item is beyond reach, contact Life Fitness Customer Support Services.
- Never place liquids of any type directly on the unit, except in an accessory tray. Containers with lids are recommended.
- Do not use the Lifecycle Exercise Bike outdoors, near swimming pools or in areas of high humidity.
- Keep all loose clothing, shoelaces, and towels away from the Lifecycle Exercise Bike pedals.
- Keep the area around the Lifecycle Exercise Bike clear of any obstructions, including walls and furniture.
- Always be careful and exercise caution when mounting or dismounting the Lifecycle Exercise Bike. Use the handlebar whenever additional stability is required.
- Wear shoes with rubber or high-traction soles. Do not use shoes with heels, leather soles, cleats or spikes. Do not use the bike in bare feet.
- Do not tip the Lifecycle Exercise Bike on its side during operation.



**CAUTION:** Life Fitness STRONGLY recommends seeing a physician for a complete medical exam before undertaking an exercise program, particularly if the user has a family history of high blood pressure or heart disease, or is over the age of 45, or smokes, has high cholesterol, is obese, or has not exercised regularly in the past year.

- If faintness, dizziness, pain, or shortness of breath is experienced during a workout, stop immediately.

**SAVE THESE INSTRUCTIONS FOR FUTURE REFERENCE**

## 1.1 CONSIGNES DE SÉCURITÉ IMPORTANTES

- Avant d'utiliser ce produit, lire impérativement ce manuel d'utilisation en ENTIER, ainsi que TOUTES les instructions. Le vélo d'exercice Lifecycle est conçu pour être utilisé uniquement de la manière décrite dans ce manuel.
- Les instructions de la console doivent toujours être suivies pour obtenir un fonctionnement correct.
- Une surveillance étroite est nécessaire lorsque cet appareil est utilisé en présence d'enfants, d'invalides ou de handicapés, ou par ces personnes.
- Si un vélo d'exercice Life Cycle ne fonctionne pas correctement après avoir subi une chute, des dommages ou une immersion même partielle dans l'eau, contactez le service d'assistance clientèle de Life Fitness.
- Ne jamais insérer d'objets dans un orifice du vélo d'exercice Lifecycle. Tout objet accidentellement tombé à l'intérieur doit être récupéré. S'il est impossible de l'atteindre, contacter le service clientèle de Life Fitness.
- Ne jamais placer de liquides quelconques directement sur l'appareil, sauf dans le plateau pour accessoires. Il est conseillé d'utiliser des conteneurs munis de couvercles.
- Ne pas utiliser le vélo d'exercice Lifecycle à l'extérieur, près d'une piscine ou dans des endroits très humides.
- Maintenir les vêtements lâches, les lacets et les serviettes à l'écart des pédales du vélo d'exercice Lifecycle.
- Maintenir la zone autour de l'appareil libre de toute obstruction, y compris murs et meubles.
- L'utilisateur doit toujours faire attention et procéder avec précaution lorsqu'il monte ou descend d'un vélo d'exercice Lifecycle. Utiliser le guidon afin de ne pas perdre l'équilibre.
- Porter des chaussures avec des semelles en caoutchouc ou fournissant une très bonne adhérence. Ne pas utiliser de chaussures à talons, de semelles en cuir ou de crampons. Ne pas utiliser ce vélo pieds nus.
- Ne pas renverser le vélo Lifecycle sur le côté pendant son fonctionnement.



**MISE EN GARDE:** Life Fitness conseille VIVEMENT de consulter un médecin pour suivre un examen médical complet avant de se lancer dans un programme d'exercice. Ceci concerne surtout les utilisateurs avec des antécédents familiaux de tension élevée ou d'affections cardiaques, les personnes de plus de 45 ans, les fumeurs et les obèses, ainsi que tous ceux qui ont un taux élevé de cholestérol ou qui n'ont pas fait d'exercice régulièrement depuis un an.

- Si, à tout moment pendant l'exercice, l'utilisateur ressent un malaise, un étourdissement ou une douleur, ou s'il se trouve à bout de souffle, il doit s'arrêter immédiatement.

**CONSERVER CES INSTRUCTIONS POUR TOUT USAGE ULTÉRIEUR.**

## 1.2 SETUP

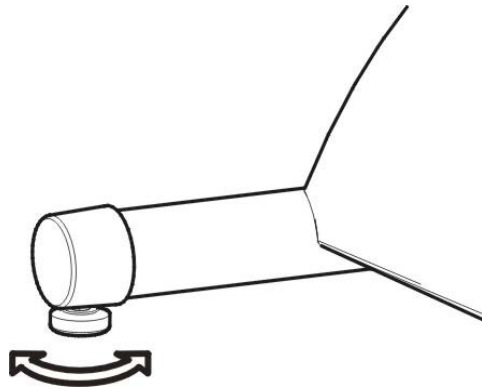
Read the entire Operation Manual before setting up the Lifecycle Exercise Bike.

### WHERE TO PLACE THE LIFECYCLE<sup>®</sup> EXERCISE BIKE

Following all safety instructions in Section 1.1, move the bike to the location in which it will be used. See Section 7, titled *Specifications*, for the dimensions of the footprint. Allow a distance of 8 to 12 inches, or 21 to 30 centimeters, between the bike and other objects or surfaces on either side. Allow a distance of 3 feet, or 1 meter, from the front or rear of the bike to any other object or surface.

### HOW TO STABILIZE THE LIFECYCLE EXERCISE BIKE

After placing the bike in position, check the unit's stability by attempting to rock it in all directions. Any slight rocking indicates that the unit must be leveled. Determine which foot is not resting completely on the floor. Loosen the jam nut with an open-end 9/16-inch wrench, and rotate the stabilizing foot to lower it. Verify that the bike is stable, and repeat the adjustment as necessary until the unit no longer rocks. Lock the adjustment by tightening the jam nut against the stabilizer bar.



## HOW TO ADJUST THE SEAT

It is important to adjust the seat to an optimal height for pedaling on the Lifecycle Exercise Bike. Pedaling with the seat too low can place excessive strain on the knees and quadriceps muscles. Pedaling with the seat too high can irritate the feet, ankles, hips, and knees. To determine whether or not the seat requires adjustment, sit on it and place the balls of the feet on the pedals. The knee should bend slightly when the pedal is at the lowest point of its rotation. It should be possible to pedal without locking the knees or shifting in the seat.

The bike features a vertical locking pin seat adjustment system, which makes it easy and safe to change the height of the seat quickly.

To raise the seat, first get off the bike. Then, simply pull the pull-pin on the back of the seat post, pull the seat upward to the desired height, and let it lock into place. Test and re-adjust the seat height as necessary.

To lower the seat, get off the bike. Hold the seat, and pull the pull-pin on the back of the seat post to unlock the post from its present position. Let the seat slide down to the desired height, and release the pull-pin, which locks the post into place. Test and re-adjust the seat height as necessary.

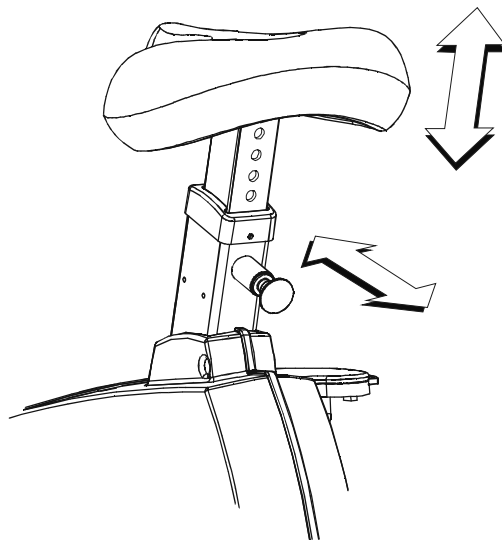


**CAUTION:** When using the height adjustment mechanism to change the height of a partially raised seat, hold the seat to prevent it from falling on the hand.



**MISE EN GARDE** - Lorsque vous utilisez le mécanisme de réglage de la hauteur pour monter une selle déjà partiellement surélevée, maintenez cette dernière afin qu'elle ne vous tombe pas sur la main.

The bike's seat post can be adjusted in one-inch increments within a 13-inch range. A total of 13 height settings are possible.

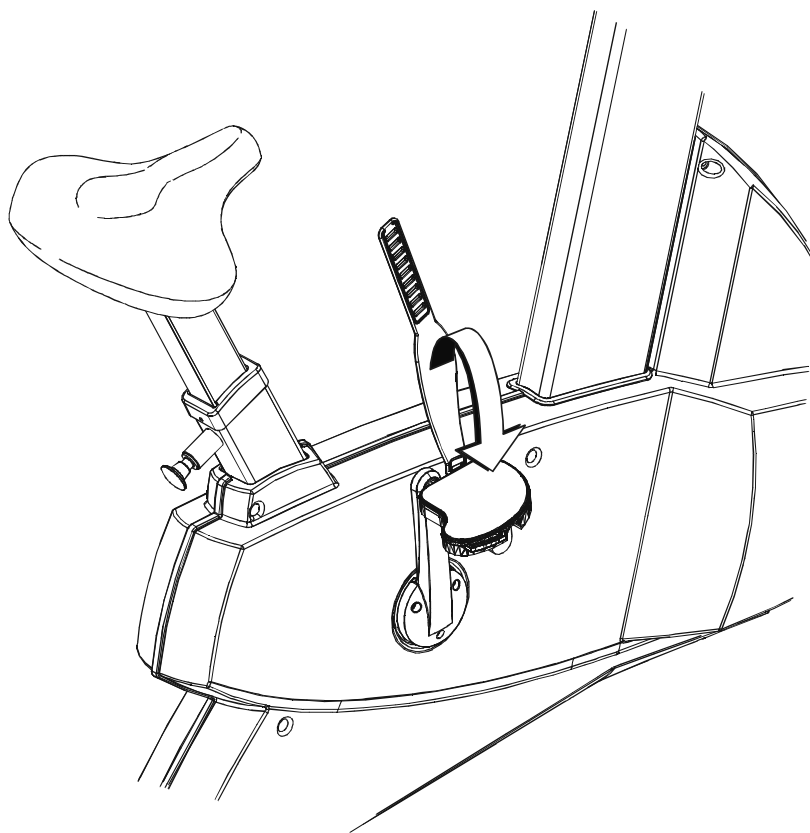


## HOW TO ADJUST THE PEDAL STRAPS

The bike pedal straps keep the user's shoes on the pedals during a workout. The straps should fit comfortably, but they also should be tight enough to prevent shoes from slipping at any point in the pedaling rotation. Before working out, a user should test and adjust the tightness of the straps.

The safety straps on the foot pedals of the Lifecycle Exercise Bike can be adjusted to fit a variety of shoe sizes. The straps are held in place by two knobs that extend from either side of each pedal. The "inner" knob extends sideways, that is, toward the bike. The "outer" knob extends downward. The ends of each strap are perforated with slots that fit tightly over the knobs. The "inner" end of each strap is perforated with two slots, and the "outer" segment of the strap is perforated with a row of slots.

To tighten or loosen a strap, grasp either end and pull it back, away from the knob, until the strap slides off. Select a new slot, and pull that slot down over the knob, until the top of the knob pops through the slot. A click indicates that the strap is locked into place.



## STARTING UP THE BIKE CONSOLE

**For the C9i:** When a user begins pedaling on the Lifecycle Exercise Bike, the unit's Auto-Start feature powers up the console, causing the console display to light up and the MESSAGE CENTER to flash a prompt to select a workout or press QUICK START.

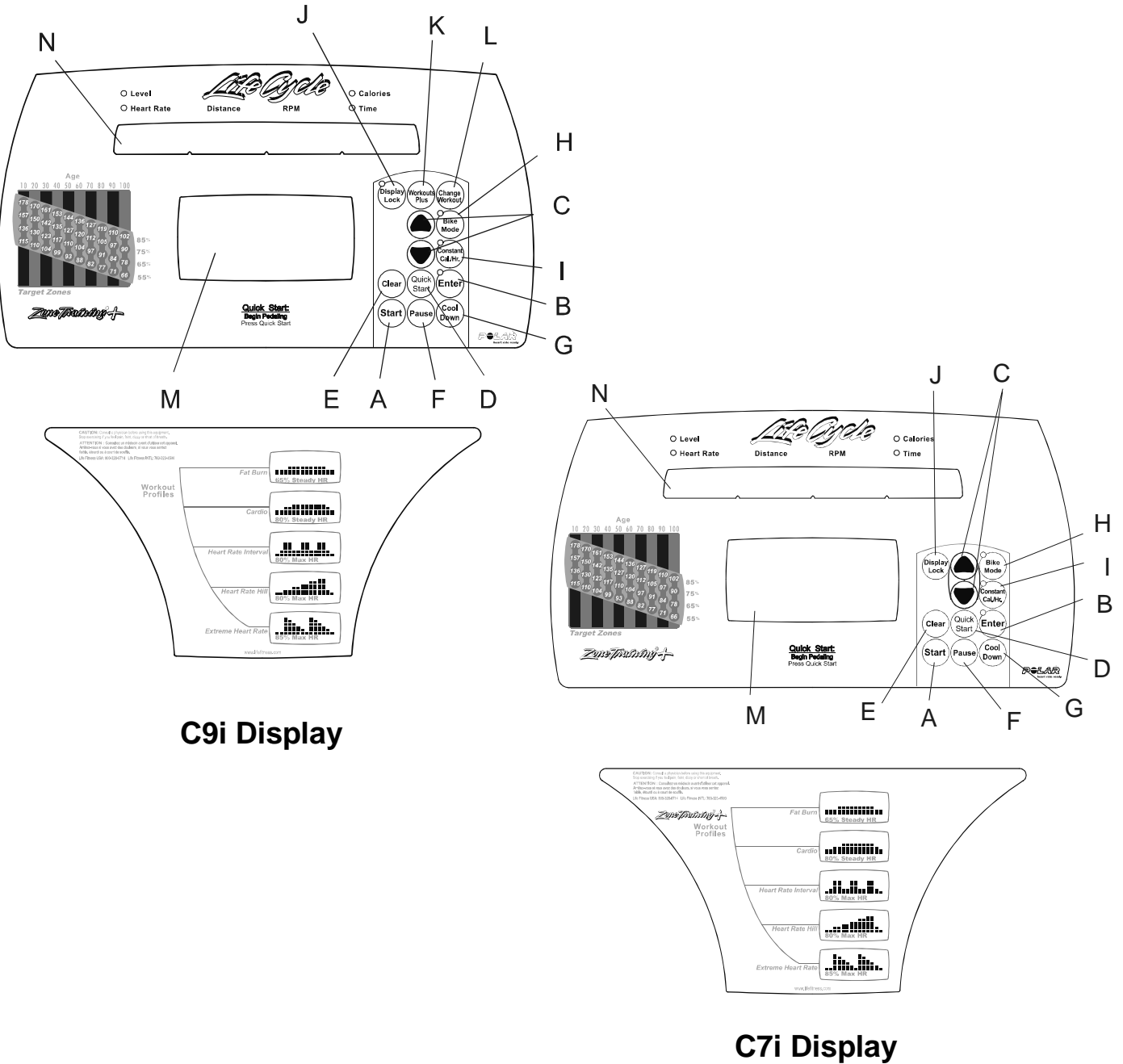
**For the C7i or the C9i:** Start pedaling, and press the START key. The console display lights up, and the MESSAGE CENTER flashes a prompt to select a workout or press QUICK START.

For both models, if the user does not make a selection in 15 seconds, the console automatically starts a MANUAL workout. For information on setting up a workout, see Section 4.2, titled *Using the Workouts*. If the user stops pedaling, the console shuts down.

# 2 THE DISPLAY CONSOLE

## 2.1 DISPLAY CONSOLE OVERVIEW

The computerized display console on the Lifecycle Exercise Bike allows the user to tailor a workout to personal fitness abilities and goals and to monitor progress. With this easy-to-use console, the user can track fitness improvement from one workout to the next.



## 2.2 DISPLAY CONSOLE DESCRIPTIONS

This section lists and describes the functions for the keys and display windows on the Lifecycle Exercise Bike console. See Section 4, titled *The Workouts*, for detailed information on using the console to set up workouts.

- A **START**: Press this key, while pedaling at a predefined rate, to activate the console for programming a new workout. The activated console lights up and displays **SELECT WORKOUT USING ARROW KEYS OR PRESS QUICK START**.

**NOTE:** *The C9i model's AutoStart feature activates the console when the user simply begins pedaling at a predefined rate. See the topic titled Starting Up the Bike Console, which appears in Section 1.*

- B **ENTER**: Press this key after entering each value, such as weight or workout time, when prompted by console display messages.
- C **ARROW** keys: When prompted by the MESSAGE CENTER to select a workout, use these keys to scroll through displayed choices, including **HILL, RANDOM, MANUAL, SPORT TRAINING, EZ RESISTANCE, FAT BURN, CARDIO, HEART RATE HILL, HEART RATE INTERVAL, EXTREME HEART RATE, and MY WORKOUTS 1-7** (C9i only). When setting up a workout, use these keys to change workout parameters displayed on the console, such as length of workout, weight, age, target heart rate, and intensity level. During a workout, pressing the ARROW keys changes intensity levels or target heart rate.
- D **QUICK START**: Press this key to begin a manual workout immediately, without having to select a workout program. Once the workout is in progress, use the ARROW KEYS to change the intensity level as desired.
- E **CLEAR**: Press this key, when programming a workout, to clear incorrect data before pressing the ENTER key. Pressing CLEAR during a workout stops it immediately, at which point, the MESSAGE CENTER displays a summary of the workout, including total time elapsed, total distance traveled, and total calories burned. Pressing CLEAR a second time causes the MESSAGE CENTER to prompt the user to set up a new workout.
- F **PAUSE**: Press this key to pause the current workout. Continue the workout by pressing the PAUSE key again. For more information, see the topic titled *Pausing a Workout* in Section 4.2, titled *Using the Workouts*.
- G **COOL DOWN**: Press the COOL DOWN key at any desired point during a workout to go immediately into Cool Down mode. In this phase of a workout the body begins to remove lactic acid and other accumulated by-products of exercise, which build up in muscles during a workout and contribute to muscle soreness.
- H **BIKE MODE**: Press this key to activate the Bike workout mode in which the rate of calories burned and total distance traveled increase automatically as the user increases the pedaling speed.
- I **CONSTANT CAL./HOUR**: Press this key to activate this alternate workout mode, which enables a user to maintain a consistent rate of calories burned per hour.

For more information about Bike Mode and Constant Calories Per Hour Mode, see the topic titled *Selecting a Workout Mode* in Section 4.2, titled, the *Using the Workouts*.

- J **DISPLAY LOCK**: During a workout, a section of the MESSAGE CENTER alternately displays the number of CALORIES burned and the amount of TIME elapsed. Pressing the DISPLAY LOCK key when the MESSAGE CENTER displays either statistic, forces the MESSAGE CENTER to display that statistic continuously throughout the workout. Pressing DISPLAY LOCK again allows the MESSAGE CENTER to resume toggling between both statistics.
- K **WORKOUTS PLUS** (C9i only): When prompted by the MESSAGE CENTER to select a workout, press this key to select **WATTS** (when enabled), **METs** (when enabled), **AEROBICS TRAINER, INTERVAL, AROUND THE WORLD, CASCADES, FOOT HILLS, SPEED TRAINING, or KILIMANJARO**.
- L **CHANGE WORKOUT** (C9i only): Press this key to change workout programs during a workout (on the fly).

M **WORKOUT PROFILE WINDOW:** This window displays shapes, made of columns of lights, that represent the levels of intensity in a workout-in-progress. The height of the column furthest to the left is proportional to the level of the intensity. During a Heart Rate Zone Training workout (**FAT BURN**, **CARDIO**, **HEART RATE HILL**, **HEART RATE INTERVAL**, or **EXTREME HEART RATE**), which requires the use of the Lifepulse sensors (C9i only) or a Polar telemetry heart rate chest strap, the **WORKOUT PROFILE WINDOW** displays a flashing heart shape to request the user's heart rate signal. On the C9i, if the console does not detect a signal, the MESSAGE CENTER displays the prompt, "NEED HEART RATE - PLACE HANDS ON SENSORS OR CHECK TELEMETRY STRAP." On the C7i, if the console does not detect a signal, the MESSAGE CENTER displays the prompt, "NEED HEART RATE - CHECK TELEMETRY STRAP". If the console does not receive the signal within three minutes, the workout automatically is converted to a **MANUAL** program. Profiles are not available for Heart Rate Zone Training programs. In these workouts, the level is based on the heart rate. Therefore, the profile cannot be displayed.

N **MESSAGE CENTER:** This window displays step-by-step instructions for setting up a workout. During a workout, it displays statistics about the progress of the workout:

- **Level:** the programmed intensity level. It is displayed continuously unless the heart rate is being measured, in which case, **Heart Rate** is displayed.
- **Heart Rate:** the detected heart rate if the user is wearing the chest strap or grasping the Lifepulse sensors. If the heart rate is not being measured during a workout, then **Level** is displayed instead.
- **Distance:** the total distance traveled.
- **RPM (Revolutions Per Minute):** the pedaling speed or rate.
- **Calories:** the number of calories burned since the beginning of the workout, alternates with **Time**.
- **Time:** the time elapsed since the beginning of the workout; alternates with **Calories**.

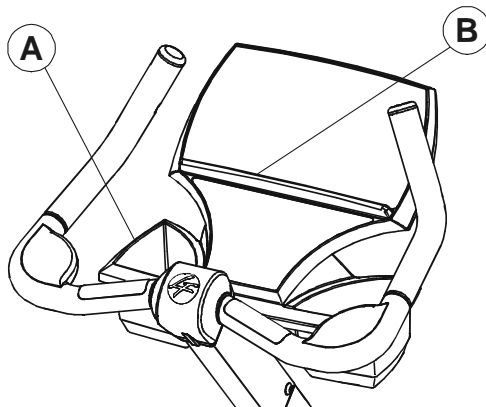
If programmed to do so, the MESSAGE CENTER briefly displays other values each time the intensity level changes during the workout:

- **Calories per Hour:** the rate of calories burned per hour  
OR  
**Watts:** effort level in Watts. The Watt is a unit of power output or the expression of the mechanical rate of work.
- **METs:** effort level in METs. The MET is an expression of the rate of work for the human body at rest, or a metabolic equivalent; one MET is approximately equal to the metabolism of a person at rest.

See Chapter 5, titled *Internal Settings* for information about enabling the MESSAGE CENTER to display these additional settings.

## 2.3 THE ACCESSORY TRAY (STANDARD ON THE C9I, OPTIONAL ON THE C7I)

The accessory tray (A), which is mounted near the base of the console, provides dual storage trays with space for items such as water bottles, personal stereos, and cell phones. Additionally, an integrated reading rack for supporting a book or magazine (B) is located at the base of the upper panel of the console.



# 3 HEART RATE ZONE TRAINING® + EXERCISE

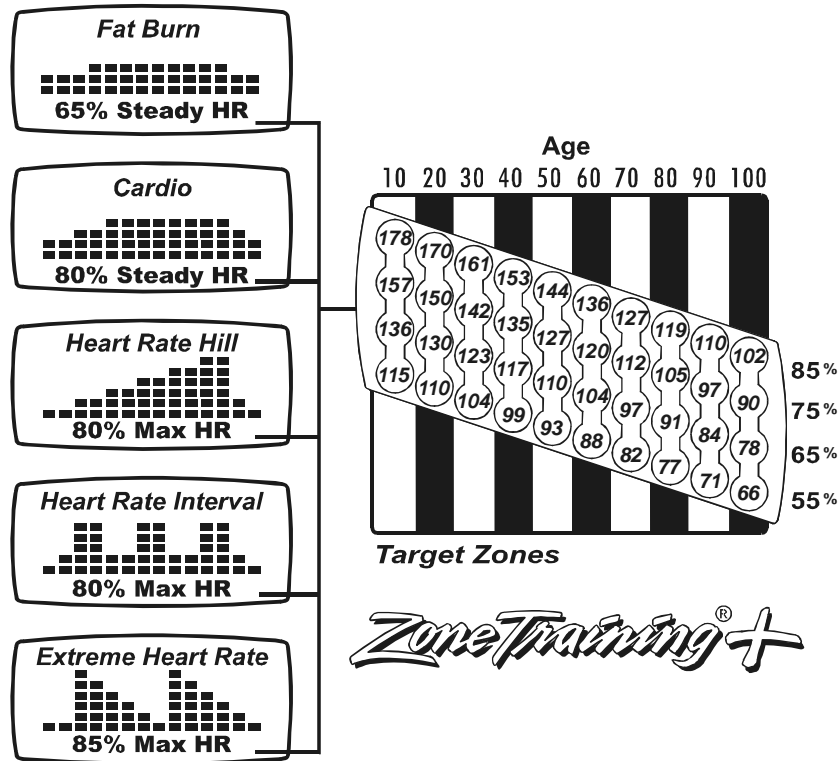
## 3.1 WHY HEART RATE ZONE TRAINING EXERCISE?

Research shows that maintaining a specific heart rate while exercising is the optimal way to monitor the intensity of a workout and to achieve maximum results. That is the idea behind the Life Fitness Heart Rate Zone Training+ approach to exercise.

Zone Training identifies an exerciser's ideal heart rate range, or zone, for burning fat or increasing cardiovascular fitness. The values within the zone depend on the workout. The Lifecycle Exercise Bike features five exclusive workouts designed to take full advantage of the benefits of Heart Rate Zone Training+ exercise: **FAT BURN**, **CARDIO**, **HEART RATE HILL**, **HEART RATE INTERVAL**, and **EXTREME HEART RATE**. Each workout offers different benefits, as discussed in Section 4, titled *The Workouts*.

**NOTE:** Consulting a fitness trainer is recommended for defining specific fitness goals and designing a workout program.

All Zone Training workouts measure heart rate. Grasp the Lifepulse Sensors (C9i only), or wear the telemetry chest strap to enable the bike's on-board computer to monitor the heart rate during a workout. The computer automatically adjusts the intensity level to maintain the target heart rate\* based on the actual heart rate.

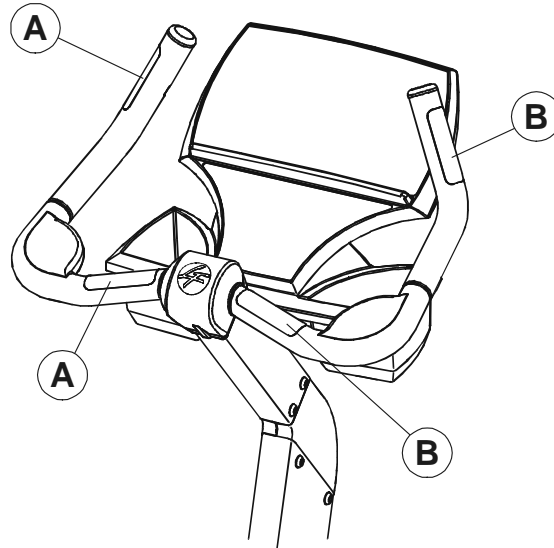


\* Target Heart Rate (THR) is a percentage of the theoretical maximum. For example, a 40-year-old user's recommended THR for the HEART RATE INTERVAL workout is 144. The HEART RATE INTERVAL workout targets 80 percent of the maximum, so the equation would be  $(220-40) \cdot 80 = 144$ .

## 3.2 HEART RATE MONITORING

### THE LIFEPUULSE® DIGITAL HEART RATE SENSORS (MODEL C9i ONLY)

The patented Lifepulse Digital Heart Rate Sensors are the built-in heart rate monitoring system on the Lifecycle C9i Exercise Bike. During a workout, grasp two of the four sensors (A and B) that are set into the handlebars. The console displays the heart rate after 10 to 40 seconds.



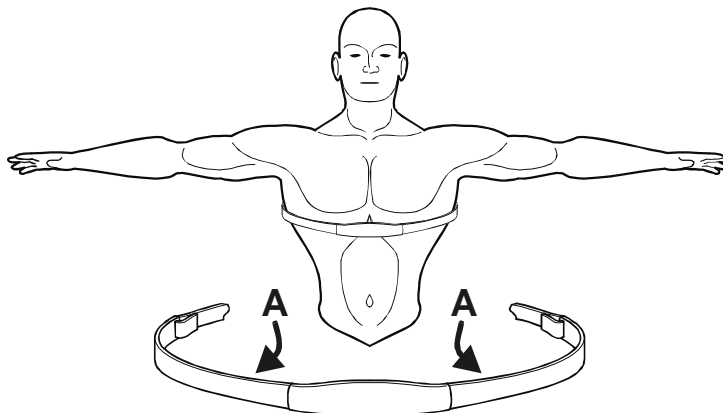
### THE POLAR® HEART RATE CHEST STRAP

The Lifecycle Exercise Bike is equipped with Polar telemetry, a heart rate monitoring system in which electrodes that are pressed against the skin transfer heart rate signals to the bike console. These electrodes are attached to a chest strap that the user wears during the workout. The chest strap is included with the bike.

See the diagram below for correct positioning of the strap. The electrodes (A), which are the two grooved surfaces on the underside of the strap, must remain wet to transmit accurately the electrical impulses of the heart back to the receiver. Moisten the electrodes. Then, secure the strap as high under the chest muscles as possible. The strap should be snug, but comfortable enough to allow for normal breathing.

The transmitter strap delivers an optimal heart rate reading when the electrodes are in direct contact with bare skin. However, it functions properly through a thin layer of wet clothing.

If it becomes necessary to re-moisten the chest strap electrodes, grasp the center of the strap, pull it away from the chest to expose the two electrodes, and re-moisten them.



# 4 THE WORKOUTS

## 4.1 WORKOUT OVERVIEWS

This section lists the Lifecycle Exercise Bike's workout programs. For more detailed information, see Section 4.2, titled *Using the Workouts* and Section 4.3, titled *Workout Descriptions*.

**QUICK START** is the fastest way to begin exercising, and it bypasses the steps involved in selecting a specific workout program. After the QUICK START key is pressed, a constant-level workout begins. The intensity level does not change automatically.

**HILL** is an interval-training workout combining "hills" and "valleys" of different intensity levels, which is proven to provide effective, time-efficient cardiovascular results.

**RANDOM** is an interval training workout of constantly changing intensity levels that occur in no regular pattern or progression.

**MANUAL** is a workout in which the intensity level does not change automatically.

**SPORT TRAINING** simulates an outdoor cycling terrain by setting different hills, or intensity levels, throughout the course.

**EZ RESISTANCE** features a gradual, subtle increase in resistance, lowering perceived exertion. A peak in resistance is followed by an equally subtle decrease in resistance.

**FAT BURN** is a low-intensity workout for burning the body's fat reserves. The user must grasp the Lifepulse sensors (C9i only) continuously or wear a heart rate chest strap. The workout program automatically adjusts the intensity level, based on the actual heart rate, to maintain the rate at 65 percent of the theoretical maximum<sup>†</sup>.

**CARDIO** is a higher intensity workout for more fit users, emphasizing cardiovascular benefits and maximum fat burning. The user must grasp the Lifepulse sensors (C9i only) continuously or wear a heart rate chest strap. The workout program automatically adjusts the intensity level, based on the actual heart rate, to maintain the rate at 80 percent of the theoretical maximum.

**HEART RATE HILL** consists of three hills that target three heart rate goals: The first hill brings the heart rate to 90 percent of the target rate\*. The second hill increases the rate to 95 percent. The third hill matches the target heart rate. The valley always is defined as 85 percent of the target. The user must grasp the Lifepulse sensors (C9i only) continuously or wear a heart rate chest strap.

**HEART RATE INTERVAL** alternates between a hill, which brings the heart rate up to the target rate, and a valley, which brings the heart rate down to 90 percent of the target. The user must grasp the Lifepulse sensors (C9i only) continuously or wear a heart rate chest strap.

**EXTREME HEART RATE** alternates between two target heart rate goals as quickly as possible. The effect is similar to that of running sprints. The user must grasp the Lifepulse sensors (C9i only) continuously or wear a heart rate chest strap.

<sup>†</sup> Defined by the American College of Sports Medicine's "Guidelines for Exercise Testing and Prescription" as being equal to 220 minus an individual's age.

\* Target Heart Rate (THR) is a percentage of the theoretical maximum. For example, a 40-year-old user's recommended THR for the **HEART RATE HILL** workout is 144. The **HEART RATE HILL** workout targets 80 percent of the maximum, so the equation would be  $(220-40) \times .80 = 144$ .

**MY WORKOUTS** is not a workout program but a feature that allows the user to pre-set up to seven workouts with personal setup information, such as age or level, and then store the workouts in the console memory. These workouts are accessed with an ARROW key.

The following workouts (available on the C9i only) are accessed by pressing the WORKOUTS PLUS key:

**AROUND THE WORLD** is an interval-training workout in which the hills resemble scenes of various geographical areas.

**FOOT HILLS** is a rolling hill workout with low intensity levels.

**KILIMANJARO** is a **HILL** workout in which the intensity levels gradually incline toward one ultimate peak and then gradually decline.

**INTERVAL** is a **HILL** workout in which intensity levels rise and fall. The higher levels gradually incline toward a peak and then gradually decline.

**CASCADES** is a two-peak workout in which intensity levels gradually increase and decrease.

**SPEED TRAINING** is a **HILL** workout in which the intensity level alternates between high and low settings very quickly to simulate a typical speed-training workout.

**WATTS** (when enabled) targets a rate of effort equal to a certain number of Watts

**METS** (when enabled) targets a rate of effort equal to a certain number of METs.

**AEROBICS TRAINER** is a varied workout in which the MESSAGE CENTER displays prompts at different times to change pedaling speeds.

## 4.2 USING THE WORKOUTS

### TO BEGIN ANY WORKOUT

Check and adjust seat height and pedal strap tightness. Get on the bike, and simply start pedaling (C9i); or start pedaling, and press the START key (C7i) to activate the console. The MESSAGE CENTER displays the prompt: SELECT WORKOUT USING ARROW KEYS OR PRESS QUICK START. If it displays a different message, press the CLEAR key twice rapidly.

### SELECTING AND USING QUICK START

**QUICK START** is the fastest way to begin exercising, and it bypasses the steps of selecting a specific workout program. At the MESSAGE CENTER prompt to select a workout, press the QUICK START key. The workout begins at an intensity level that remains the same unless manually changed.

### SELECTING A WORKOUT

For **MANUAL**, **FAT BURN**, **CARDIO**, **RANDOM**, **HILL**, **HEART RATE HILL**, **HEART RATE INTERVAL**, and **EXTREME HEART RATE**, and **MY WORKOUTS** (C9i only) workouts: When prompted to select a workout, use the ARROW KEYS to scroll through the workout program names as they appear in the MESSAGE CENTER. When the desired program appears, press ENTER.

For **WATTS** (when enabled), **METS** (when enabled), **AROUND THE WORLD**, **KILIMANJARO**, **INTERVAL**, **SPEED TRAINING**, **CASCADES**, **FOOT HILLS**, **AEROBICS TRAINER**: These workouts are available on the C9i only. When prompted by the MESSAGE CENTER to select a workout, press the WORKOUTS PLUS key. The MESSAGE CENTER then displays the name of one of these workouts. Press ENTER to select the displayed workout; or continue to press the WORKOUTS PLUS key to display each of the other options, and then press ENTER to select the desired program.

For **MY WORKOUTS**, once a workout is configured and saved, no further setup steps are necessary. For more information, see Section 4.4, titled *Using My Workouts*.

The following chart lists the steps involved for setting up each workout.

<b>LIFECYCLE EXERCISE BIKE WORKOUT SETUP STEPS</b>			
<b>HILL</b> Select time Select level Begin workout	<b>FAT BURN</b> Select time Enter age Enter Target Heart Rate or accept displayed value Begin workout	<b>EXTREME HEART RATE</b> Select time Enter age Enter Target Heart Rate or accept displayed value Begin workout	<b>KILIMANJARO (C9i only)</b> Select time Select level Begin workout
<b>RANDOM</b> Select time Select level Begin workout	<b>CARDIO</b> Select time Enter age Enter Target Heart Rate or accept displayed value Begin workout	<b>AROUND THE WORLD (C9i only)</b> Select time Select level Begin workout	<b>INTERVAL (C9i only)</b> Select time Select level Begin workout
<b>MANUAL</b> Select time Select level Begin workout	<b>HEART RATE HILL</b> Select time Enter age Enter Target Heart Rate or accept displayed value Begin workout	<b>CASCADES (C9i only)</b> Select time Select level Begin workout	<b>WATTS (C9i only)</b> Select time Select level Begin workout
<b>SPORT TRAINING™</b> Select time Select level Begin workout	<b>HEART RATE INTERVAL</b> Select time Enter age Enter Target Heart Rate or accept displayed value Begin workout	<b>FOOT HILLS (C9i only)</b> Select time Select level Begin workout	<b>METS (C9i only)</b> Select time Select level Begin workout
<b>EZ RESISTANCE</b> Select time Select level Begin workout		<b>SPEED TRAINING (C9i only)</b> Select time Select level Begin workout	<b>AEROBICS TRAINER (C9i only)</b> Select time Select level Begin workout
			<b>MY WORKOUTS (C9i only)</b> Select a workout from 1 to 7 Begin workout

## ENTERING AGE

When prompted by the MESSAGE CENTER to enter age, use the ARROW keys to increase or decrease the displayed age to the correct value, and press ENTER.

Lifecycle Exercise Bike workout programs that set a target heart rate zone first calculate the user's theoretical maximum<sup>†</sup> heart rate by subtracting the user's age from the number 220. The programs then calculate the target zone as a percentage of the theoretical maximum.

## ENTERING TIME

When prompted by the MESSAGE CENTER to enter a time, use the ARROW keys to increase or decrease the displayed time to the desired value.

## SELECTING AND ADJUSTING THE INTENSITY LEVEL

When prompted by the message center, use the ARROW KEYS to increase or decrease the displayed intensity level or target heart rate\* to the desired value and press ENTER. Adjust the level as needed or desired during the workout.

- Intensity level: The Lifecycle Exercise Bike provides a selection of 20 intensity levels. The intensity level appears in the Workout Profile window as columns of lights. Selecting a low intensity level at first is recommended. As physical conditioning improves, the levels can be increased.
- Target heart rate: Exercise bike programs that calculate a target heart rate base this number on the age of the user and the type of workout. The user accepts or adjusts the rate when setting up the workout. During the workout itself, the program reads the heart rate, which is transmitted via the Lifepulse Sensors (C9i only) or the chest strap; and it uses this data to adjust the resistance. Manually raising the rate increases the intensity of the cardiovascular exercise.

<sup>†</sup> Defined by the American College of Sports Medicine's "Guidelines for Exercise Testing and Prescription" as being equal to 220 minus an individual's age.

\* Target Heart Rate (THR) is a percentage of the theoretical maximum. For example, a 40-year-old user's recommended THR for the **HEART RATE HILL** workout is 144. The **HEART RATE HILL** workout targets 80 percent of the maximum, so the equation would be  $(220-40) \times .80 = 144$ .

## SELECTING A WORKOUT MODE

Two workout mode options on the Lifecycle Exercise Bike feature alternate ways to vary workouts.

- **Bike Mode:** This workout mode simulates the experience of riding a real bicycle. The rate of calories burned and total distance traveled increase automatically as the user increases the pedaling speed. This mode can be used with all workouts, except for the Heart Rate Zone Training+ workouts: **FAT BURN**, **CARDIO**, **HEART RATE HILL**, **HEART RATE INTERVAL**, and **EXTREME HEART RATE**. To select Bike mode, press BIKE MODE key.
- **Constant-Calories-Per-Hour Mode:** This workout mode enables a user to maintain a consistent rate of calories burned per hour. As the pedaling speed increases, the resistance level automatically decreases. As the pedaling speed decreases, the resistance level automatically increases. This mode can be used with all workouts. To select it, press the CONSTANT CAL./HR. key.

If the user selects a Heart Rate Zone Training+ workout during the setup, the default mode is Constant-Calories-Per-Hour. For all other workouts, the default mode is Bike. The user may select or change a mode during a workout setup or during a workout.

## SWITCHING WORKOUTS “ON-THE-FLY” (C9i ONLY)

It is possible, during a workout, to switch to another workout program. After a switch, the console retains all the progress information about the workout since its beginning. To change workouts “on the fly,” press the CHANGE WORKOUT key. The MESSAGE CENTER then displays a prompt to keep pressing this key to scroll through workout options. Press the key repeatedly until the MESSAGE CENTER displays the desired workout. Then, press ENTER.

## PAUSING WORKOUTS

To pause a workout, press the PAUSE key. To continue the workout, press the PAUSE key again. Pause mode essentially suspends the current workout, holding its statistics in memory, and allowing the user to pedal at zero-level resistance. If the user stops pedaling, however, the console automatically shuts down, and the workout information is erased.

The C9i model's Infinite Pause feature allows the user to stop pedaling and still retain the current workout information. The console shuts down, but the information is stored in memory. When the console is activated again, the MESSAGE CENTER displays a prompt to continue the paused workout. To do so, press ENTER. To begin a new workout, press CLEAR.

## ENDING WORKOUTS EARLY

To end a workout before the pre-set duration expires, press CLEAR once. The MESSAGE CENTER then displays a workout summary, which includes the distance travelled, the total calories burned, and other statistics. Press CLEAR a second time, and the MESSAGE CENTER displays SELECT WORKOUT USING ARROW KEYS OR PRESS QUICK START for a new workout.

## 4.3 WORKOUT DESCRIPTIONS

### QUICK START

**QUICK START** is the fastest way to begin exercising, and it bypasses the steps of selecting a specific workout program. The intensity level for the workout is set automatically and remains the same unless manually changed. To increase or decrease the level, press the UP or DOWN ARROW keys.

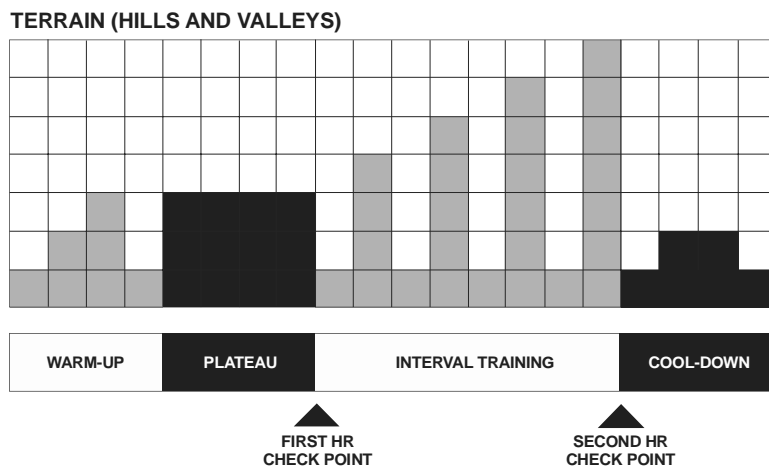
### HILL

The Life Fitness-patented **HILL** workout offers a variety of configurations for interval training. Intervals are periods of intense aerobic exercise separated by regular periods of lower-intensity exercise. The **WORKOUT PROFILE** window represents these high and low intervals as columns of light, which together have the appearance of hills

and valleys. The computerized interval training workout has been scientifically demonstrated to promote greater cardio-respiratory improvement than steady-pace training.

The **HILL** workout goes through four phases, each marked by different intensity levels. The **WORKOUT PROFILE** window displays the progress of these phases. As noted in the descriptions below, the heart rate should be measured at two stages in the workout to gauge its effectiveness. Grasp the sensors (C9I only), or wear the chest strap.

- 1 **Warm-up** is a phase of low, gradually rising resistance, which brings the heart rate into the lower end of the target zone and increases respiration and blood flow to working muscles.
- 2 **Plateau** increases the intensity slightly, and keeps it steady, to bring the heart rate to the low end of the target zone. Check the heart rate at the end of this phase.
- 3 **Interval Training** is a series of increasingly steeper hills, alternating with valleys, or stints of recovery. The heart rate should rise to the high end of the target zone. Check the heart rate at the end of this phase.
- 4 **Cool-down** is a low-intensity phase that allows the body to begin removing lactic acid, and other exercise by-products, which build up in muscles and contribute to soreness.



Each column, as seen in the **WORKOUT PROFILE WINDOW** and the chart above, represents one interval. The overall duration of the workout determines the length of each interval.

**1 to 9 minutes:** A workout with a duration of less than 10 minutes is insufficient for the Hill program to complete all four phases adequately. The program, therefore, condenses a workout of this duration at various stages.

**10 to 19 minutes:** The interval durations initially are set at 30 seconds for a 10-minute workout. For every minute over 10, each interval increases by three seconds. A 15-minute workout consists of 20 intervals at 45 seconds each.

**20 to 99 minutes:** All intervals last 60 seconds. If the user adds minutes to the previously set duration while the workout is in progress, the program adds hills and valleys that are identical to the first eight intervals of the Interval Training phase. This pattern repeats until the workout is completed.

## **RANDOM**

The **RANDOM** program creates a terrain of hills and valleys that varies with each workout. More than one million different patterns are possible.

## **MANUAL**

The **MANUAL** program sets an intensity level that does not change automatically. While the workout is in progress, increase or lower the intensity level as desired, using the arrow keys.

## SPORT TRAINING

This program simulates an outdoor cycling terrain by setting different hills, or intensity levels, throughout the course. Hills #1 and #2 simulate going downhill. Hill #3 simulates riding on a flat road. Hills #4 and above simulate climbing, with each hill matching a progressive degree of difficulty. Hills last between 30 and 60 seconds, depending on the workout duration.

## EZ RESISTANCE

In this workout, the gradual changes in resistance are extremely subtle, lowering perceived exertion. The cardiovascular workout is effective, efficient, and enjoyable at the same time.



The program consists of one hill. The user determines the elevation of the peak during the setup. This peak is reached after 75 percent of the workout is completed. Afterward, the incline gradually returns to zero percent.

## FAT BURN

The **FAT BURN** workout is designed to maintain a user's heart rate at 65 percent of the theoretical maximum<sup>†</sup> for optimal results. Throughout the workout, the user grasps the Lifepulse sensors (C9i only) or wears a chest strap. On the C9i, the **WORKOUT PROFILE WINDOW** displays a heart shape, and the **MESSAGE CENTER** displays a prompt to grip the sensors (C9i only) or wear the Polar heart rate chest strap. The console continuously monitors and displays the heart rate, adjusting the intensity level of the Lifecycle Exercise Bike to reach and maintain the target\*. This system eliminates over- and under-training, and it maximizes the aerobic benefits of exercise by using the body's fat stores for fuel.

## CARDIO

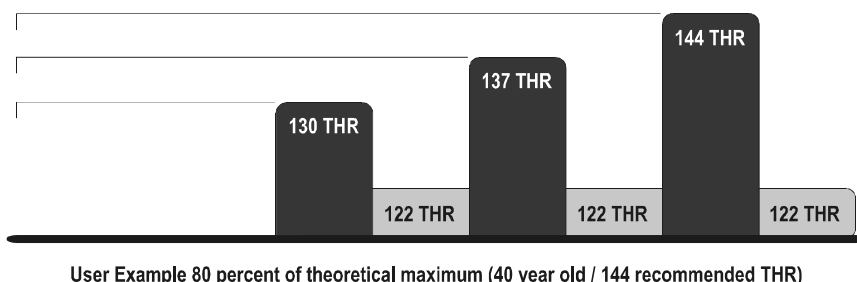
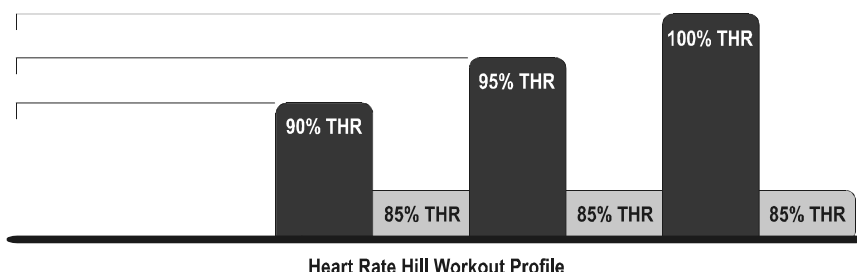
The **CARDIO** workout is virtually identical to **FAT BURN**; however the target heart rate is calculated at 80 percent of the theoretical maximum. As with **FAT BURN**, the user grasps the Lifepulse sensors (C9i only) or wears a chest strap throughout the **CARDIO** workout. The higher target promotes cardiovascular improvement by placing a heavier workload on the heart muscle.

<sup>†</sup> Defined by the American College of Sports Medicine's "Guidelines for Exercise Testing and Prescription" as being equal to 220 minus an individual's age.

\*Target Heart Rate (THR) is a percentage of the theoretical maximum. For example, a 40-year-old user's recommended THR for the **FAT BURN** workout is 117. The **FAT BURN** workout targets 65 percent of the maximum, so the equation would be  $(220-40) \cdot 65 = 117$ .

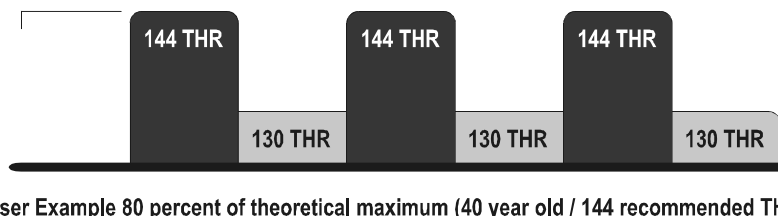
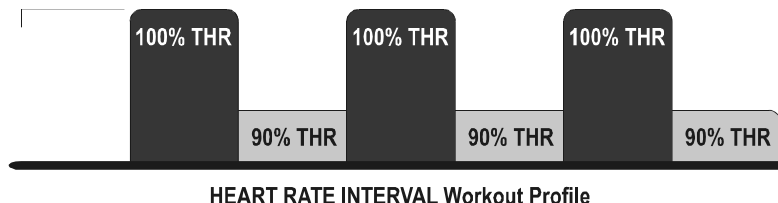
## HEART RATE HILL™ WORKOUT

This program consists of three hills that target three heart rate goals: The first hill brings the heart rate to 90 percent of the target rate\*. The second hill increases the rate to 95 percent. The third hill matches the target heart rate. The valley always is defined as 85 percent of the target. After a warm-up, the workout progresses toward the first hill and heart rate goal. Once the user reaches 90 percent of the target heart rate, the hill continues for one minute. When the minute expires, the level decreases into a valley. Once the user's heart rate falls to 85 percent of the target, the valley continues for one minute. Then, the next hill begins with its corresponding heart rate goal. After the user completes the third hill/valley pair, the program returns to the first hill and repeats the cycle as long as the duration allows. See the chart on the following page. Throughout the workout, the user must grasp the Lifepulse sensors (C9i only) or wear a Polar chest strap to enable the program to monitor the heart rate.



## HEART RATE INTERVAL™ WORKOUT

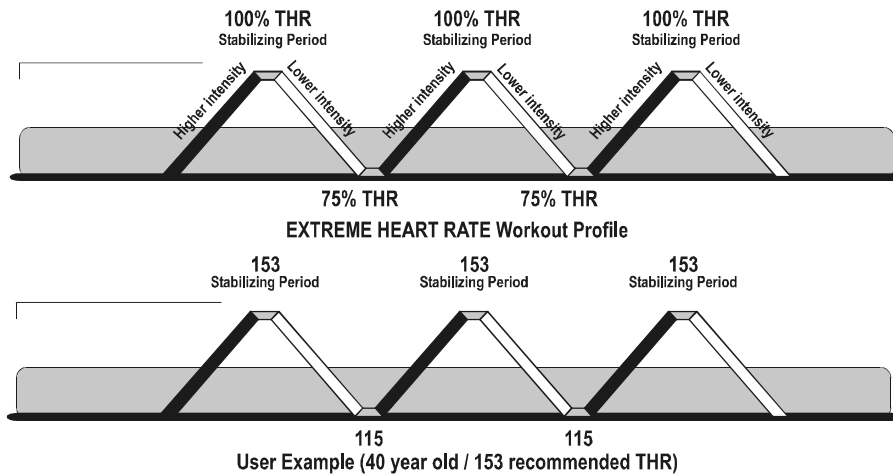
This program alternates between a hill, which brings the heart rate up to the target rate, and a valley, which brings the heart rate down to 90 percent of the target. After a warm-up, the workout progresses toward the first hill and heart rate goal. Once the goal is reached, the hill continues for three minutes. Then the level decreases into a valley. Once the 90 percent goal is reached, the valley continues for three minutes, after which the next hill begins. The user's fitness level determines the number of hills and valleys encountered within the duration. Throughout the workout, the user must grasp the Lifepulse sensors (C9i only) or wear a Polar chest strap to enable the program to monitor the heart rate.



\* Target Heart Rate (THR) is a percentage of the theoretical maximum. For example, a 40-year-old user's recommended THR for the HEART RATE HILL workout is 144. The HEART RATE HILL workout targets 80 percent of the maximum, so the equation would be  $(220-40) \cdot 80 = 144$ .

## EXTREME HEART RATE™ WORKOUT

This intense, varied workout is designed to help more experienced users to break through fitness improvement plateaus. The workout alternates between two target heart rate goals as quickly as possible. The effect is similar to that of running sprints. When setting up the workout, the user enters a target heart rate. After a warm-up, the intensity gradually increases until the user reaches the 100 percent target heart rate goal. Then, that target rate is maintained for a stabilizing period. Afterward, the intensity decreases. When the heart rate falls to the 75 percent goal, it is maintained there for a stabilizing period. The program repeats the alternating of intensity levels, continuing this pattern for the duration. Throughout the workout, the user must grasp the Lifepulse sensors (C9i only) or wear a Polar chest strap to enable the program to monitor the heart rate.



## WATTS (C9i ONLY)

This workout targets a rate of effort equal to a certain number of Watts. A Watt is a unit of power that measures the amount of mechanical work required to operate a device, such as a Lifecycle Exercise Bike. It is roughly equal to .25 calories per hour. The workout program automatically alters the intensity level to maintain the appropriate rate of effort. This workout must be enabled in Optional Settings. For details, see Section 5, titled *Internal Settings*.

## METS (C9i ONLY)

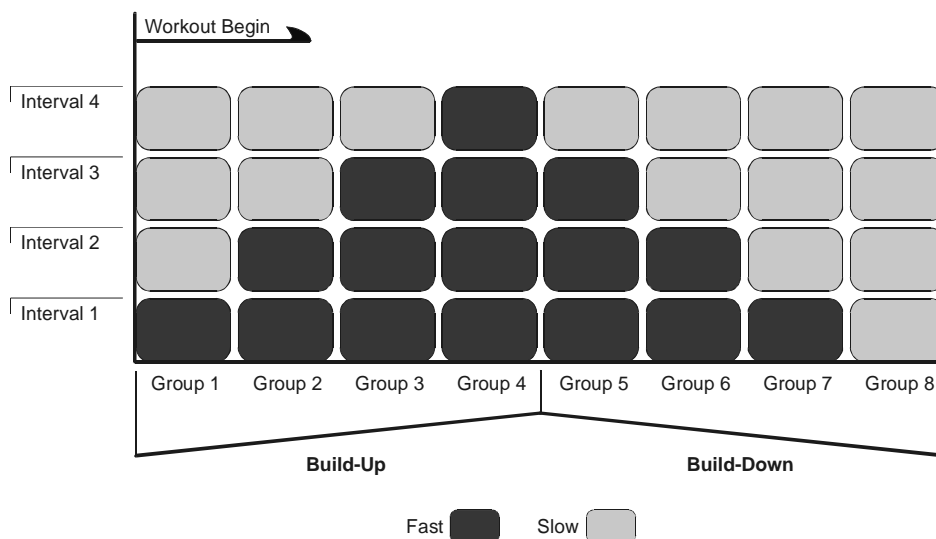
This workout targets a rate of effort equal to a certain number of METs. A MET is a unit of measurement used to express the metabolic rate of work (oxygen consumption per unit of body weight) required to perform a task. One MET is approximately equal to a person's metabolism when seated and relaxed. This workout must be enabled in Optional Settings. For details, see Section 5, titled *Internal Settings*.

\* Target Heart Rate (THR) is a percentage of the theoretical maximum. For example, a 40-year-old user's recommended THR for the **EXTREME HEART RATE** workout is 144. The **EXTREME HEART RATE** workout targets 80 percent of the maximum, so the equation would be  $(220-40) \cdot 80 = 144$ .

## AEROBICS TRAINER (C9i ONLY)

In this workout, the MESSAGE CENTER continuously prompts the user to switch between a high pedaling speed and a low pedaling speed. These speed intervals alternate in a pattern that promotes a “build-up” in the intensity of the workout, followed by a “build-down” in intensity.

The workout consists of 32 intervals, which are divided into groups of four. In the first group, the user encounters one fast interval followed by three slow intervals. The second group features two fast intervals followed by two slow intervals. The third group features three fast intervals followed by one slow interval. The fourth group, which is the most intense point of the workout, features four fast intervals. Afterward, the workout decreases in intensity, concluding with a group of four, consecutive, slow intervals. See the chart below:



The length of the intervals depends on the workout duration selected by the user.

## SIX PRE-SET WORKOUTS (C9i ONLY)

**CASCADES**, **AROUND THE WORLD**, **FOOT HILLS**, **INTERVAL**, **KILIMANJARO**, and **SPEED TRAINING** are variations of the **HILL** workout. These workouts cannot be changed “on the fly.”

**AROUND THE WORLD** is an interval-training workout in which the hills resemble scenes of various geographical areas.

**CASCADES** is a two-peak workout in which intensity levels gradually increase and decrease.

**FOOT HILLS** is a rolling hill workout with low intensity levels.

**INTERVAL** is a Hill workout in which intensity levels rise and fall. The higher levels gradually incline toward a peak and then gradually decline.

**KILIMANJARO** is a Hill workout in which the intensity levels gradually incline toward one ultimate peak and then gradually decline.

**SPEED TRAINING** is a Hill workout in which the intensity level alternates between high and low levels very quickly to simulate a typical speed-training workout.

## 4.4 MY WORKOUTS

The **MY WORKOUTS** feature on the C9i exercise bike makes it possible to pre-set up to seven workouts with personal setup information, such as age or desired speed, and then store the workouts in the console memory. These workouts are accessed with the **WORKOUTS PLUS** key.

Any workout can be pre-set and stored, including **FAT BURN, CARDIO, HEART RATE HILL, HEART RATE INTERVAL, EXTREME HR, HILL, RANDOM, MANUAL, SPORT TRAINING,** and **EZ RESISTANCE.**

### USING A WORKOUT SAVED UNDER MY WORKOUTS

Press the **WORKOUTS PLUS** key. Scroll through the names displayed in the **MESSAGE CENTER**, either by pressing the **WORKOUTS PLUS** key repeatedly or by pressing the **ARROW** keys. When the desired name appears, press **ENTER**. The workout then begins.

By factory default, the workouts are stored under the names **MY WORKOUT 1** through **MY WORKOUT 7**. Each workout must be set up before it can be accessed. See the following section for steps to set up and change workouts stored under **MY WORKOUTS**.

### EDITING SETTINGS FOR WORKOUTS SAVED UNDER MY WORKOUTS

Use the following steps to change settings for a stored workout or to change a workout name.

1. When the **MESSAGE CENTER** displays the prompt “**SELECT WORKOUT USING ARROW KEYS OR PRESS QUICK START,**” press the **CHANGE WORKOUT** key.
2. Scroll through the user names displayed in the **MESSAGE CENTER** by pressing the **ARROW** keys.
3. When the desired name appears, press the **ENTER** key.
4. The **MESSAGE CENTER** displays the prompt, “**SELECT MY WORKOUTS OPTIONS USING ARROW KEYS – THEN PRESS ENTER**”. At this prompt, it is possible to select “**MY WORKOUTS NAMING**” to change a workout name, “**MY WORKOUTS CREATION**” to change settings for a workout, or “**VIEW STATISTICS**” to view statistics for a workout.

#### To change a settings for a stored workout:

5. Select “**MY WORKOUTS CREATION**” and press **ENTER**.
6. Press **ENTER** to modify an existing workout, or press **CLEAR** to erase an existing workout.
7. Enter setup information as prompted by the **MESSAGE CENTER**. Use the **ARROW** keys to scroll through displayed values, and press **ENTER** to confirm the desired value. Once all information is entered, the **MESSAGE CENTER** displays **WORKOUT SAVED**.

#### To view statistics for a stored workout:

5. Select “**VIEW STATISTICS,**” and press **ENTER**.
6. Scroll through the statistic displays by pressing the **ARROW** keys.
7. Press **ENTER** or **CLEAR** to return to the **MY WORKOUTS** menu.

#### To change a workout name

5. Select “**MY WORKOUTS NAMING,**” and press **ENTER**.
6. The **MESSAGE CENTER** displays the prompt, “**SELECT LETTER USING CHANGE WORKOUT KEY AND CHANGE LETTERS USING ARROW KEYS.**” The workout name appears in the **MESSAGE CENTER**, with the first letter blinking. Scroll to the desired letter, number, or punctuation symbol, using the arrow key. When the desired character appears, press **CHANGE WORKOUT** to move on to the next letter. Repeat this step for all characters. Press the **WORKOUTS PLUS** key to move back one letter.
7. Press **ENTER** to save the new name. The **MESSAGE CENTER** displays, “**USER NAME SAVED.**”

# 5 INTERNAL SETTINGS

## 5.1 OPTIONAL SETTINGS

Use the Optional Settings feature to change default settings, or to enable or disable certain programs or displays on the Lifecycle Exercise Bike console.

### ENTERING AND USING THE OPTIONAL SETTINGS FEATURE

To enter the Optional Settings, hold down the UP ARROW key, and simply start pedaling on the C9i; or start pedaling, and press START on the C7i. After the console display lights up, press the ENTER key until the MESSAGE CENTER displays MANAGER'S SETTINGS. Use the ENTER key to scroll forward through each displayed setting, and use the CLEAR key to scroll backward. To change a displayed setting, press the UP or DOWN arrow key until the MESSAGE CENTER displays the desired setting, and then press ENTER. To exit Optional Settings, press the CLEAR key repeatedly until the MESSAGE CENTER displays SELECT WORKOUT USING ARROW KEYS OR PRESS QUICK START.

The following chart lists and describes each optional setting.

Setting	Default Value	Description
MAX WORKOUT	60	This is the maximum possible duration in minutes for a workout. The value can range from 1 to 99.
ENGLISH/METRIC UNITS	ENGLISH	This option determines the units of weight measurement used by workout programs.
WATTS DISPLAY	OFF	If this option is enabled, the MESSAGE CENTER displays the Watts equivalent of the pedaling rate.
METS DISPLAY	OFF	If this option is enabled, the MESSAGE CENTER displays the METs equivalent of the pedaling rate.
*WATTS PROGRAM	OFF	If this option is enabled, the Watts program becomes an available workout.
*METS PROGRAM	OFF	If this option is enabled, the METs program becomes an available workout.
CAL/HR DISPLAY	OFF	If this option is enabled, the MESSAGE CENTER displays the number of calories burned per hour during the workout.
STATISTICS		This option displays complete usage statistics on the Lifecycle Exercise Bike, such as total hours and the total number of times each workout is selected. Use the ARROW keys to scroll through each statistic.
PHOTO SHOOT		This feature lights up the console display with "dummy" values to depict how the display looks.

\* Applies to C9i only.

# 6 SERVICE AND TECHNICAL DATA

## 6.1 PREVENTATIVE MAINTENANCE TIPS

The Lifecycle Exercise Bike is backed by the engineering excellence of Life Fitness and is one of the most rugged and trouble-free pieces of exercise equipment on the market today. Commercial Life Fitness products have proven to be durable in health clubs, colleges, and military facilities the world over. This same technology, engineering expertise, and reliability have gone into the Lifecycle Exercise Bike.

**NOTE:** *The safety of the equipment can be maintained only if the equipment is examined regularly for damage or wear. Keep the equipment out of use until defective parts are repaired or replaced. Pay special attention to parts that are subject to wear as outlined in the Preventive Maintenance Schedule.*

**REMARQUE :** *Pour conserver un matériel sûr, il convient de l'inspecter régulièrement afin de déceler tout signe d'usure ou d'endommagement. N'utilisez pas l'appareil tant que les pièces défectueuses n'ont pas été réparées ou remplacées. Portez une attention toute particulière aux pièces qui s'usent, comme indiqué ci-dessous.*

The following preventive maintenance tips will keep the Lifecycle Exercise Bike operating at peak performance:

- Locate the Lifecycle Exercise Bike in a cool, dry place.
- Clean the top surface of the pedals regularly.
- Keep the display console free of fingerprints and salt build-up caused by sweat.
- Use a 100% cotton cloth, lightly moistened with water and mild liquid detergent, to clean the bike. Other fabrics, including paper towels, may scratch the surface.
- Do not use ammonia or acid-based cleaners.
- Long fingernails may damage or scratch the surface of the console; use the pad of the finger to press the selection buttons on the console.
- Clean the housing thoroughly on a regular basis.

**NOTE:** *A non-abrasive cleaner and soft cotton cloth are strongly recommended for cleaning the exterior of the unit. At no time should cleaner be applied directly to any part of the equipment; apply the non-abrasive cleaner on a soft cloth, and then wipe the unit.*

## 6.2 PREVENTATIVE MAINTENANCE SCHEDULE

Follow the schedule below to ensure proper operation of the product.

ITEM	WEEKLY	MONTHLY	BI-ANNUALLY	ANNUALLY
Display Console	C	I		
Console Mounting Bolts			I	
Accessory trays	C	I		
Frame	C			I
Pedals and Straps	C	I		
Plastic Covers	C	I		
Pedals and Straps	C	I		

KEY: C=Clean; I=Inspect

## 6.3 TROUBLESHOOTING THE HEART RATE CHEST STRAP

### HEART RATE READING IS ERRATIC OR ABSENT ENTIRELY

- Repeat the electrode wetting procedure. See Section 3.2, titled *How to Use the Heart Rate Monitor Chest Strap*. The electrodes must be wet to pick up and transmit accurate heart rate readings.
- Make sure the electrodes are flat against the skin.
- Wash the belt transmitter regularly with mild soap and water.
- Make sure the chest strap transmitter is within three feet (one meter) of the heart rate receiver.
- The chest strap is battery operated and will eventually stop functioning. If the chest strap transmitter battery is depleted, contact Life Fitness Customer Support Services for instructions on how to have the chest strap replaced. See the following section for information on contacting Life Fitness Support Services.

### HEART RATE READING IS ERRATIC OR EXTREMELY HIGH

When exercising with the heart rate chest strap, the user may come within range of electromagnetic signals strong enough to cause abnormally elevated heart rate readings. Possible sources of such signals include:

- Television sets and/or antennas, cell phones, computers, cars, high voltage power lines, and other motor driven equipment.
- Another heart rate transmitter within three feet (one meter) may also cause abnormal heart rate readings.

## 6.4 TROUBLESHOOTING THE LIFEPULSE SYSTEM SENSORS (C9I ONLY)

If the heart rate reading is erratic or missing, do the following:

- Dry moist hands to prevent slipping.
- Apply hands to both sensors, one in each hand.
- Grasp the sensors firmly.
- Apply constant pressure around the sensors.

## 6.5 HOW TO OBTAIN PRODUCT SERVICE

1. Verify the symptom and review the operating instructions. The problem may be unfamiliarity with the product and its features and workouts.
2. Locate and write down the serial number of the unit, which is located on a plate near the power switch.
3. Contact Life Fitness Customer Support Services via the Web at: [www.lifefitness.com](http://www.lifefitness.com), or call the nearest Life Fitness Customer Support Services group:

For Product Service within  
the United States and Canada:

Telephone: (+1) 847.451.0036  
FAX: (+1) 847.288.3702  
Toll-free telephone: 800.351.3737

For Product Service Internationally:

Life Fitness Europe GmbH  
Telephone: (+49) 089.317.751.66  
FAX: (+49) 089.317.751.38

Life Fitness (UK) LTD  
Telephone: (+44) 1353.665507  
FAX: (+44) 1353.666018

Life Fitness Atlantic BV  
Life Fitness Benelux  
Telephone: (+32) 03.644.44.88  
FAX: (+32) 03.644.24.80  
Telephone: (+32) 87.300.942  
FAX: (+32) 87.300.943

Life Fitness Italia S.R.L.  
Telephone: (+39) 0472.835.470  
FAX: (+39) 0472.833.150  
Toll-free telephone: 800.438836

Life Fitness Vertriebs GmbH  
Telephone: (+43) 1615.7198  
FAX: (+43) 1615.7198.20

Life Fitness Asia Pacific Ltd  
Telephone: (+852) 2891.6677  
FAX: (+852) 2575.6001

Life Fitness Latin America  
and Caribbean  
Telephone: (+1) 847.288.3964  
FAX: (+1) 847 288.3886

Life Fitness Brazil  
Telephone: (+55) 11.7295.2217  
FAX: (+55) 11.7295.2218

Life Fitness Japan  
Telephone: (+81) 3.3359.4306  
FAX: (+81) 3.3359.4307

Life Fitness Iberia  
Telephone : (+34) 93 672 4660  
FAX : (+34) 93 672 4670

# 7 SPECIFICATIONS

## 7.1 C9i LIFECYCLE EXERCISE BIKE SPECIFICATIONS

Designed use:	Consumer
Maximum user weight:	400 pounds / 181 kilograms
Power requirements:	None (self-powered)
Workouts:	Quick Start, Fat Burn, Cardio, Heart Rate Hill, Heart Rate Interval, Extreme Heart Rate, Hill, Random, Manual, Sport Training, EZ Resistance, Watts (when enabled), METs (when enabled), Around the World, Foothills, Kilimanjaro, Interval, Cascades, Speed Training
Console displays:	Elapsed Time, Pedal Revolutions Per Minute (RPM), Calories Per Hour (when enabled), Watts and/or METS (when enabled), Total Calories Burned, Distance Traveled (miles or kilometers), Resistance Level, Heart Rate (when user grasps Lifepulse sensors wears a telemetry heart rate monitoring chest strap)
Heart rate monitor system:	Lifepulse Digital Heart Rate Sensors Polar compatible telemetry heart rate monitoring system (with Heart Rate Chest Strap)
Accessory tray:	Standard
Color:	Dark Gray with Black Accents
<b>PHYSICAL DIMENSIONS:</b>	
Length:	45 inches / 114.3 centimeters
Width:	24 inches / 60.9 centimeters
Height:	54 inches / 137.1 centimeters
Weight:	105 pounds / 39.4 kilograms
<b>SHIPPING DIMENSIONS:</b>	
Length:	48 inches / 121.9 centimeters
Width:	22 inches / 55.8 centimeters
Height:	37 inches / 94 centimeters
Weight:	125 pounds / 56,6 kilograms

## 7.2 C7i LIFECYCLE EXERCISE BIKE SPECIFICATIONS

Designed use:	Consumer
Maximum user weight:	400 pounds / 181 kilograms
Power requirements:	None (self-powered)
Workouts:	Quick Start, Fat Burn, Cardio, Heart Rate Hill, Heart Rate Interval, Extreme Heart Rate, Hill, Random, Manual, Sport Training, EZ Resistance
Console displays:	Elapsed Time, Pedal Revolutions Per Minute (RPM), Calories Per Hour (when enabled), Total Calories Burned, Distance Traveled (miles or kilometers), Resistance Level, Heart Rate (when user wears a telemetry heart rate monitoring chest strap)
Heart rate monitor system:	Polar compatible telemetry heart rate monitoring system (with Heart Rate Chest Strap)
Accessory tray:	Optional
Color:	Dark Gray with Black Accents
<b>PHYSICAL DIMENSIONS:</b>	
Length:	45 inches / 114 centimeters
Width:	24 inches / 60.9 centimeters
Height:	54 inches / 137.1 centimeters
Weight:	105 pounds / 47,6 kilograms
<b>SHIPPING DIMENSIONS:</b>	
Length:	48 inches / 121.9 centimeters
Width:	22 inches / 55.8 centimeters
Height:	37 inches / 94 centimeters
Weight:	125 pounds / 56,6 kilograms

*LifeFitness*

10601 West Belmont Avenue  
Franklin Park, Illinois 60131 • U.S.A.  
847.288.3300 • FAX: 847.288.3703  
800.735.3867 (Toll-free within U.S.A., Canada)

M051-00K63-B011