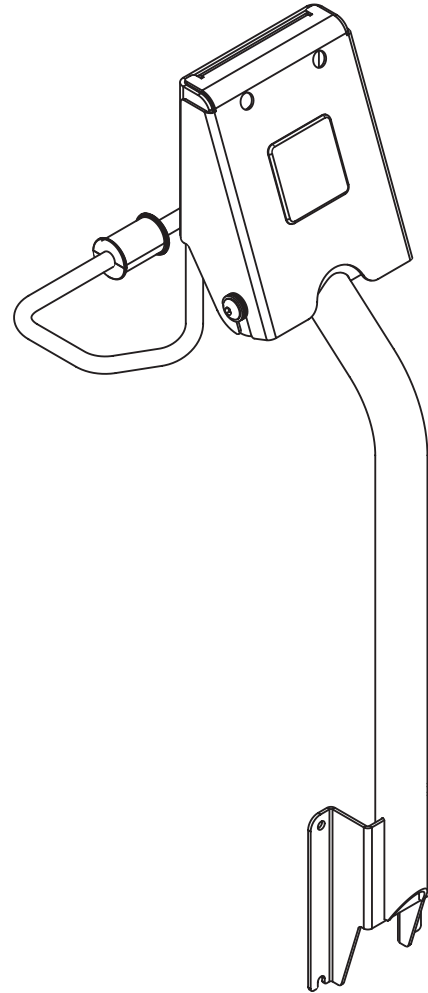


PRECOR[®]_{USA}
move beyond[®]



EFX[®] Integrated LCD Screen Option

Cardio Theater Integrated Bracket Assembly Instructions

Table of Contents

1	Before You Begin	4
	Obtaining Service	4
	Unpacking the Equipment	4
	Important Safety Instructions	4
2	Preparations	5
	Required Tools	5
	Installation Requirements	5
	Assembly Tips	5
3	Preparing the Units	6
	Preparing the EFX546i	7
	Preparing the EFX556i	14
4	Install the Bracket Assembly	20
5	Attach the LCD Screen	22
6	Reinstall the Bracket Cover	24
7	Connect the Controller and the Cables	25

1

Before You Begin

Thank you for adding the Precor Cardio Theater Integrated LCD Screen Option to your EFX®. This option will add a new dimension to your workout.

For proper installation, please read this guide thoroughly and follow the assembly instructions.

Obtaining Service

For information about product operation or service, refer to the Precor web site at www.precor.com. Should you need more information regarding customer support numbers or a list of Precor authorized service centers, visit the Precor website at www.precor.com/contact.

Unpacking the Equipment

The Cardio Theater Integrated Bracket for the LCD Screen is shipped in one box with the following items:

- Bracket assembly
- Power extension cable
- Four Phillips-head screws
- Rubber adapter mounts

If any items are missing, contact the dealer from whom you purchased the unit or call a Precor Commercial Products Customer Support Representative.

Important: To complete the assembly of the Cardio Theater Integrated Bracket, you need the Cardio Theater LCD Screen Option, which is shipped in a separate box. Included with the screen are two cables (coaxial/power cable and controller cable), which you will need during the assembly process.

Important Safety Instructions

When using exercise equipment, basic precautions should always be taken, including the following:

- **Read all instructions before using the unit.** These instructions are written to ensure your safety and to protect the equipment.
- **Use the equipment only for its intended purpose.** Do not use accessory attachments that are not recommended by the manufacturer, as such attachments might cause injuries.
- **Always check the unit before each use.** Make sure that all fasteners and cables are secure and in good working condition.

Important: The important safety instructions written here reflect a portion of what is found in the Precor EFX owner's manuals. Please review and follow the safety instructions found there.

2

Preparations

Important: To attach the Cardio Theater Integrated Bracket, ask another adult for help. Do not attempt the assembly by yourself.

Remember to read and follow the instructions in this guide. If you do not assemble the Cardio Theater Integrated Bracket according to these guidelines, you could void the Precor Limited Warranty.

Required Tools

Obtain these tools before assembly:

- Standard hex key set
- Standard socket set
- ½-inch box wrench or crescent wrench
- Flat head screwdriver
- Phillips-head screwdriver
- Power drill with a 7/8-inch drill bit
- Standard torque wrench

Installation Requirements

Review these installation requirements before assembly:

- The Cardio Theater Integrated Bracket is built to VESA MIS-D, 100/75 standard interface specifications.
- Provide ample space around the EFX. Open space around the unit allows for easier access and installation.
- Open the box and assemble components in the sequence presented in this guide.
- Leave room for adjustments. Tighten fasteners (bolts, nuts, and screws) so the unit is stable, but leave room for adjustments. Do not fully tighten fasteners until instructed in the assembly steps to do so.

Assembly Tips

- Read all the notes on each page before completing that step.
- While you may be able to assemble the Cardio Theater Integrated Bracket using the illustrations only, important safety notes and other tips are included in the text.
- Refer to the EFX owner's manual for torque wrench specifications. The handrail clamp and upright support fasteners are not fully secure until tightened using a torque wrench.

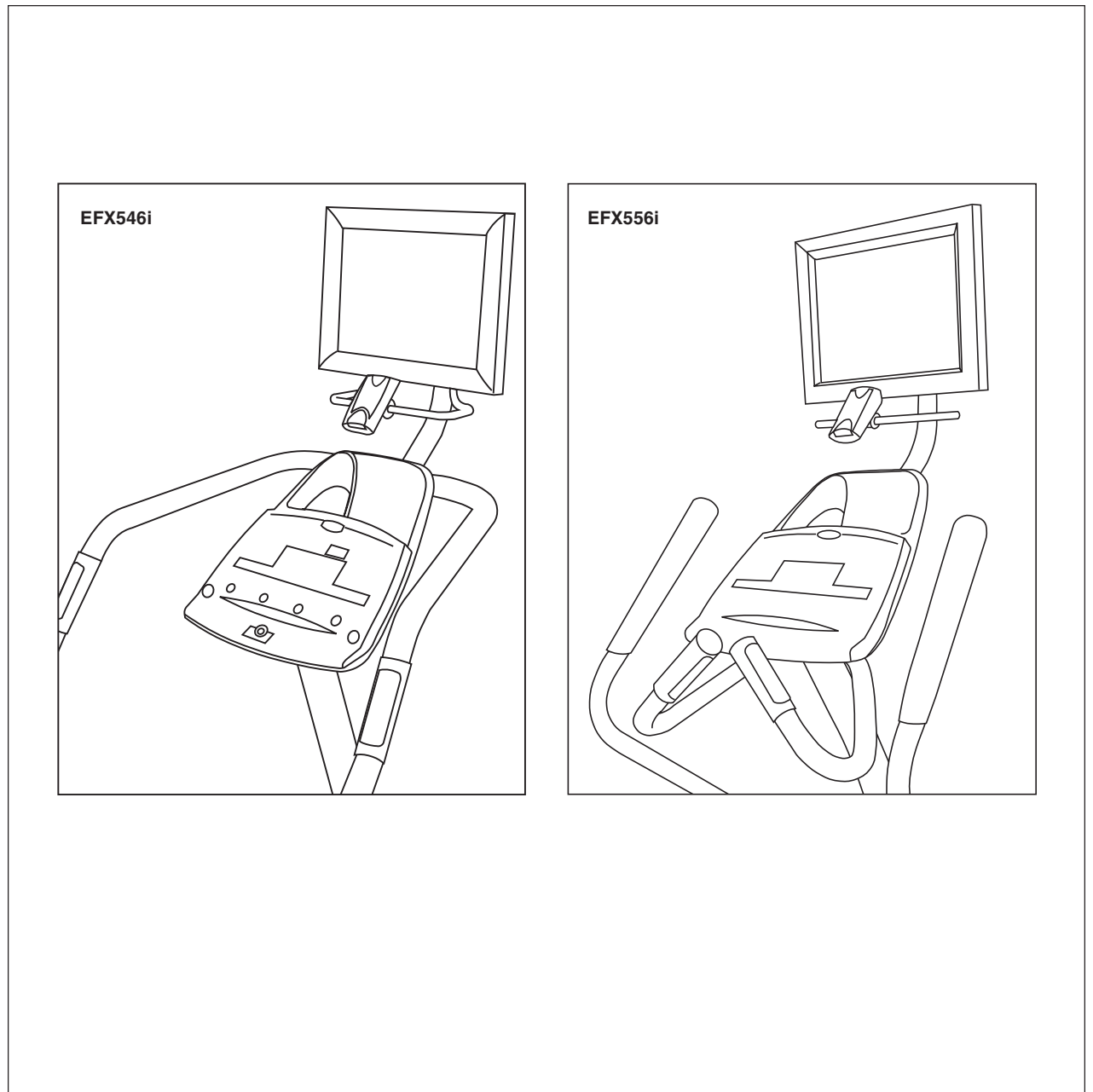
The assembly of the Cardio Theater Integrated Bracket takes about ½ hour to complete.

3

Preparing the Unit

The illustration shows how the Cardio Theater Integrated Bracket will look after you install it on the EFX.

This section contains preparation instructions for both the EFX546i and the EFX556i.



Preparing the EFX546i

1. Loosen the two screws on the handrail clamp using a $\frac{5}{32}$ -inch hex key.

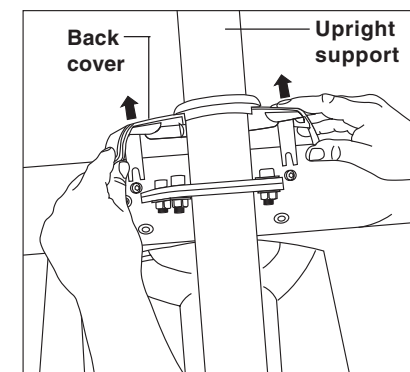
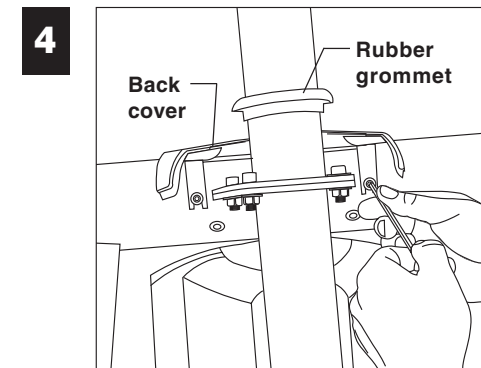
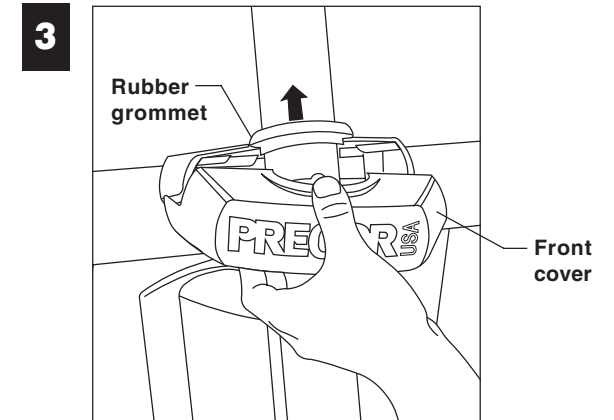
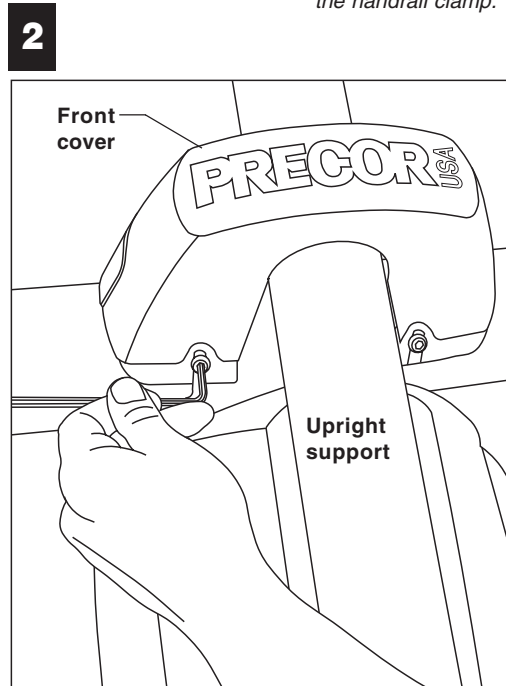
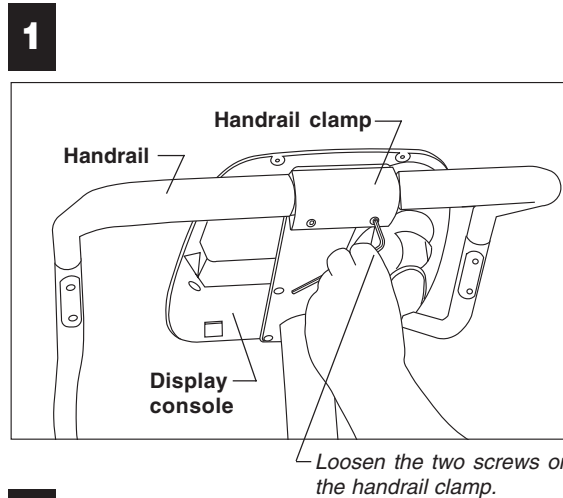
Important: Leave the handrails in the clamp. Do not remove the handrail clamp screws!

2. Remove the front cover.
Loosen and remove the two screws securing the front cover. Set the front cover and fasteners aside.

3. Move rubber grommet.
Slide the rubber grommet along the upright support toward the display.

4. Remove the back cover.
Loosen the two screws securing the back cover. Slide the back cover away from its bracket and set it aside.

Important: Do not remove the two screws securing the back cover.



Preparing the EFX546i

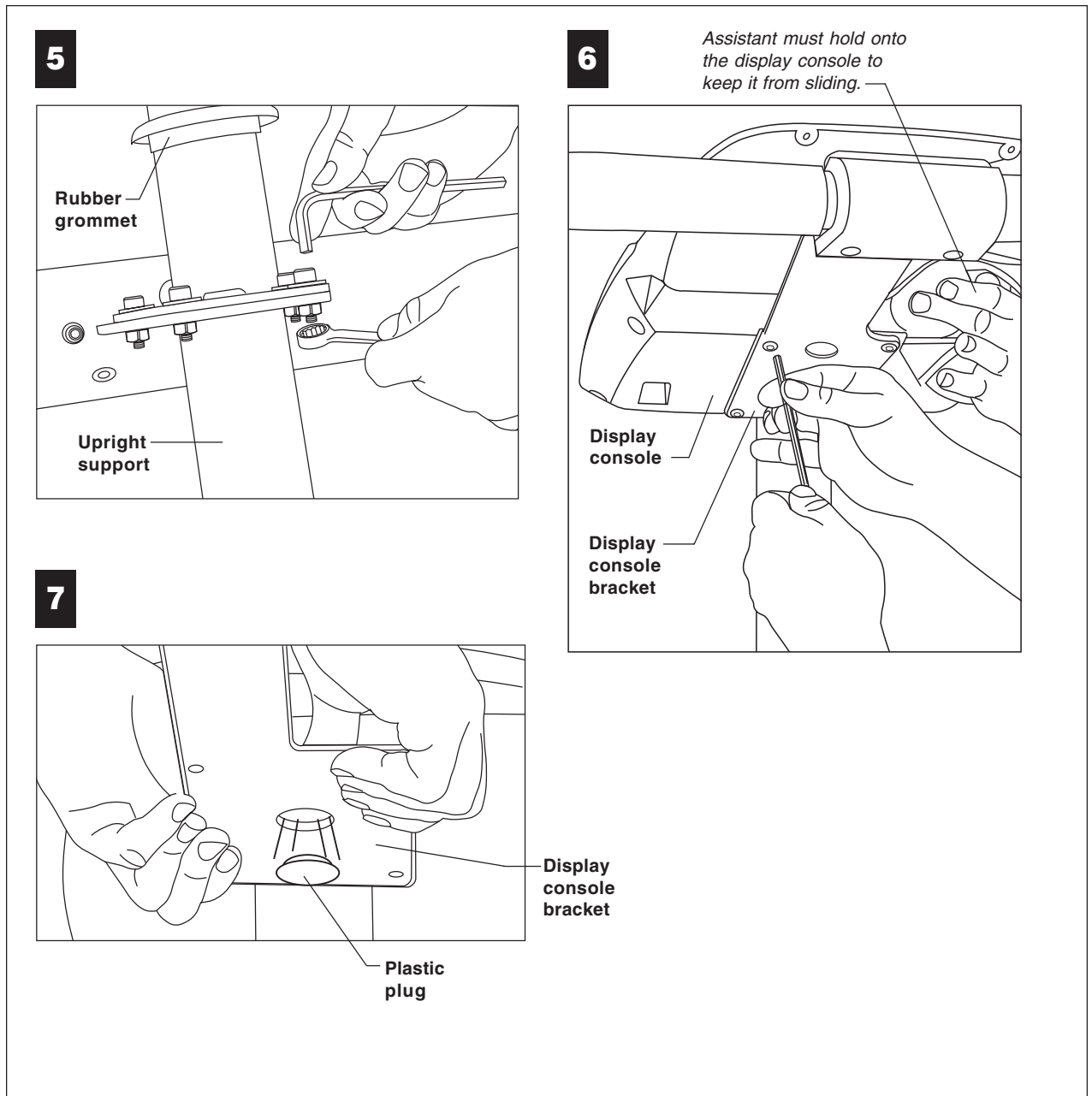
5. Remove the four fasteners securing the upright support.
Use a ¼-inch hex and ½-inch box end wrench to remove the fasteners. Keep the fasteners together and within easy reach.

Important: Ask someone for help before completing the next step.

6. Separate the display console from its bracket.
Ask your assistant to hold the display console while you remove the four screws from the back of the display console bracket using a 5/32-inch hex key. If the display console slides off the display console bracket, its weight can place excessive pressure on the data cable.

7. Remove the plastic plug.
Use your thumbs to pop the plastic plug from the display console bracket. Discard the plug.

Note: If no plug exists in the display console, you will need to drill a hole using a 7/8-inch drill bit and electric drill.



8. Attach the power extension cable to the power connector on the coaxial/power cable.

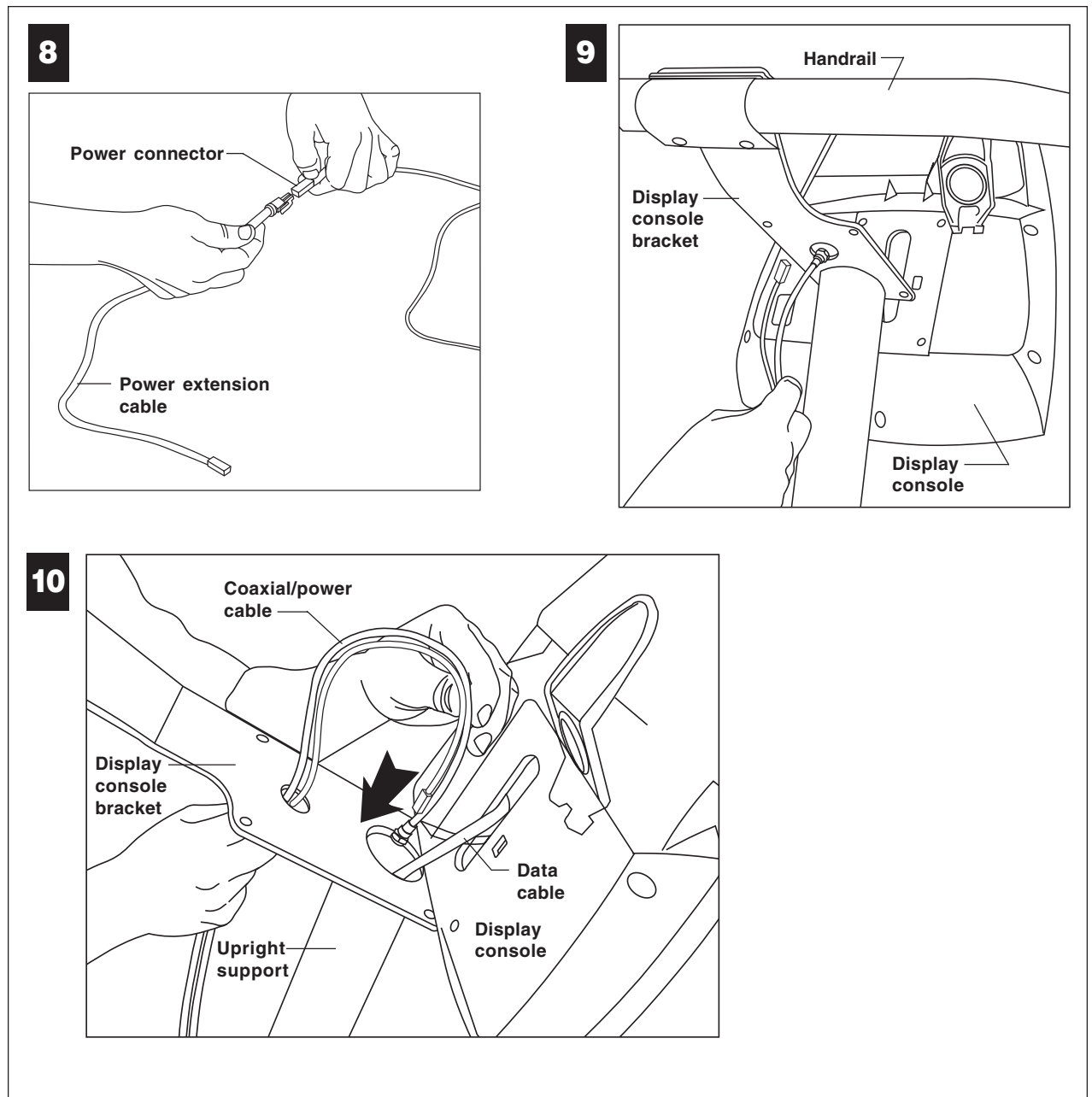
Locate the coaxial/power cable provided with the LCD Screen. One end of the coaxial/power cable has three connectors; the other end has two connectors. Attach the power extension cable to the power connector on the end with the two connectors (coaxial and power).

9. Feed the coaxial/power cable with its connectors through the display console bracket.

Insert the coaxial/power cable with its two connectors up through the hole in the display console bracket.

10. Feed the coaxial/power cable with its connectors through the upright support.

Note: Leave about 3 feet (1 meter) of the coaxial/power cable with its three connectors (coaxial, power, and DVD) hanging out of the hole in the display console bracket. This portion of the cable will be fed through the bracket assembly before it is attached to the back of the display console.



11. Secure the display console.

Replace two of the screws at the base of the console bracket. Do not fully tighten the screws. Leave space between the screw head and the display console bracket. The bracket assembly slides in between the two.

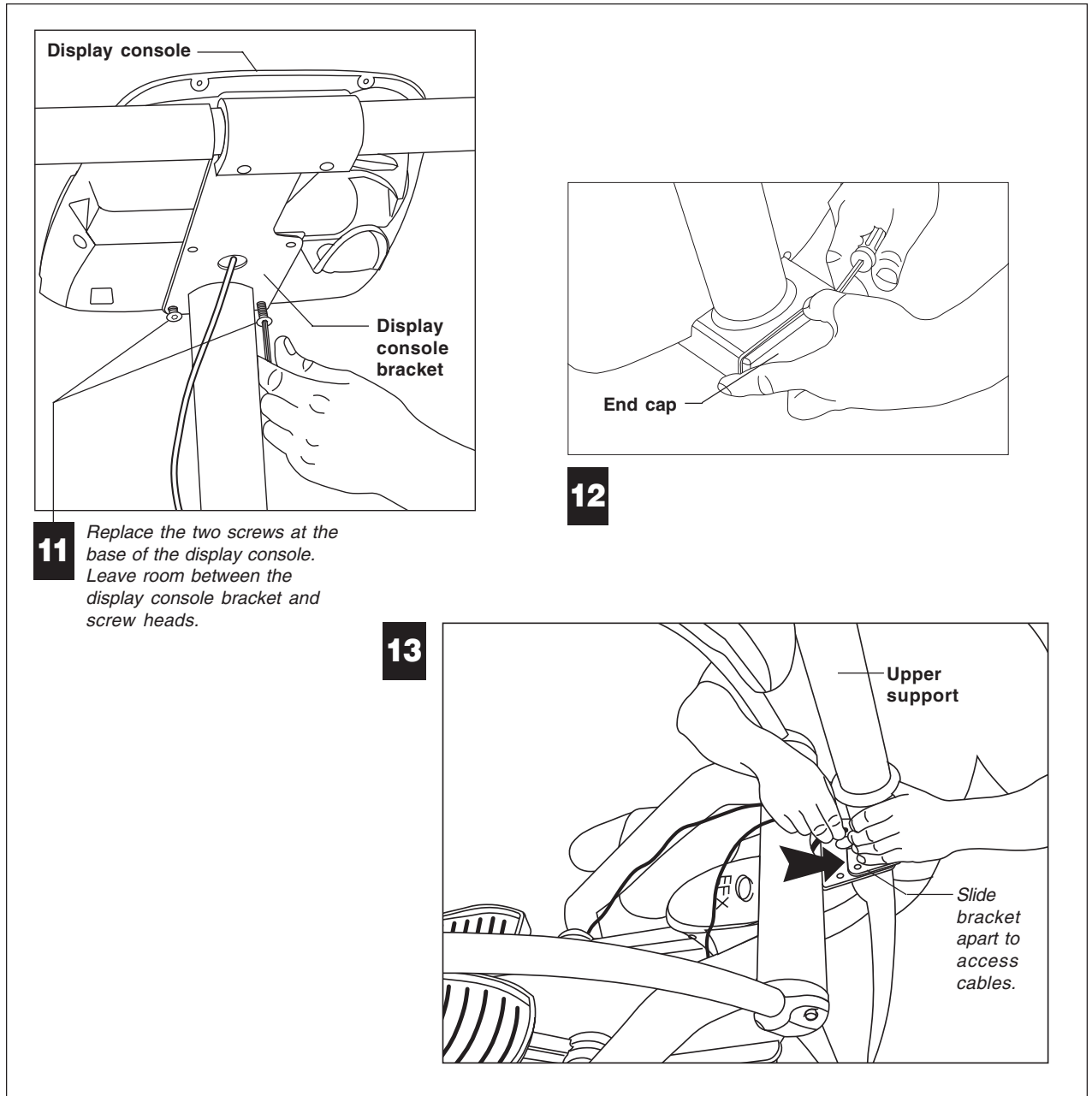
Note: Once the display is secure, your assistant can let go of the display.

12. Pry the rubber end cap off the base.

Use a flat head screwdriver.

13. Slide the upper support away from lower support.

Ask your assistant to hold the upper support away from the lower support. With the small gap that is created, pull the coaxial and power extension cables out from the base of the upper support.



14. Continue to feed the cable with its connectors through the lower support.

Start with the coaxial and power extension connectors. Feed them into the lower support. Continue to slide the cable and its connectors so no excess remains at the gap between the upper and lower supports. Ask your assistant to release pressure on the upper support and realign the mounting holes between the upper and lower supports.

CAUTION: Be careful! A height adjuster screw protrudes inside the base tube. Cables can get caught and fingers scratched on the screw threads.

15. Pull the cable and its connectors out of the lower support and base tube.

Note: Remember to leave about 3 feet (1 meter) of cable hanging out of the hole in the display console bracket.

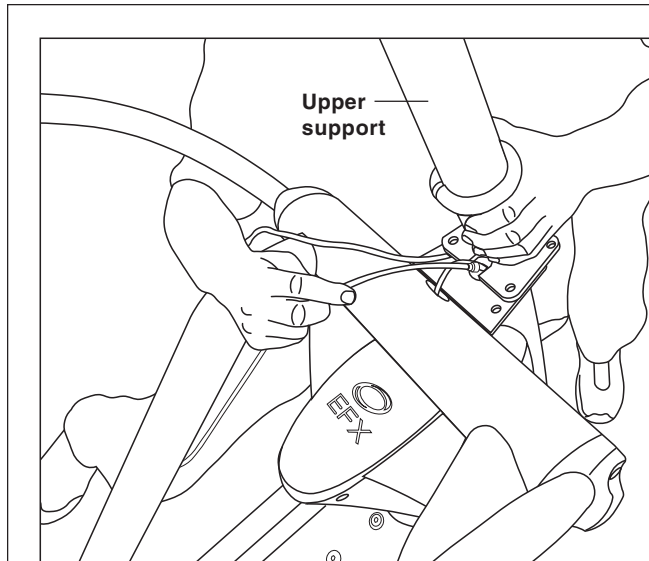
CAUTION: The next step requires the use of a drill and the safety considerations that go along with operating power tools. Protect the work surfaces. Take the necessary steps to avoid injury to yourself or damage to the surrounding area and equipment.

16. Drill a hole in the end cap.

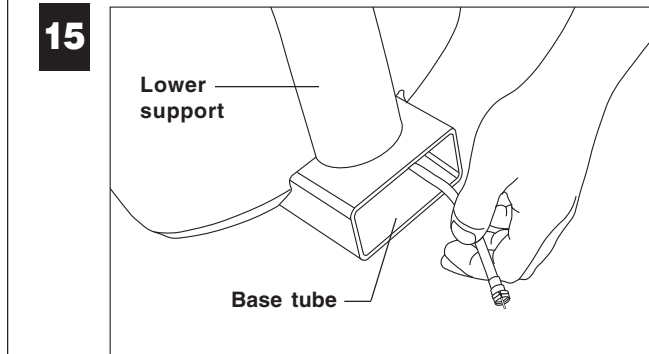
Use the 7/8-inch drill bit to drill a hole through the center of the end cap.

17. Feed the cable and its two connectors through the hole in the end cap.

18. Replace the end cap in the base tube.



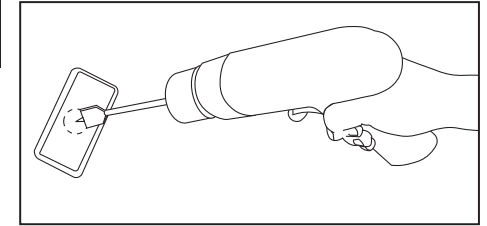
14



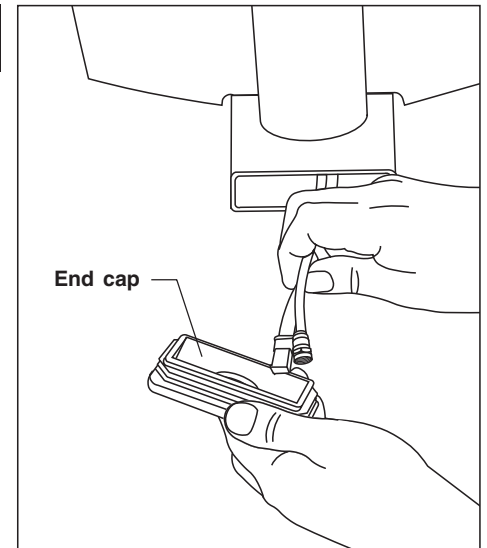
15

Read CAUTION above step 16.

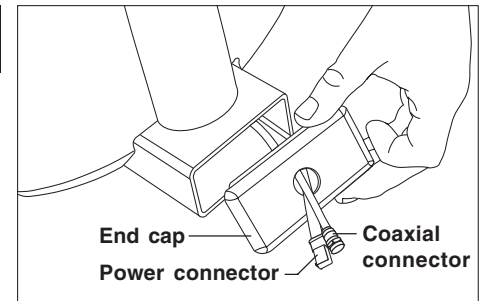
16



17



18



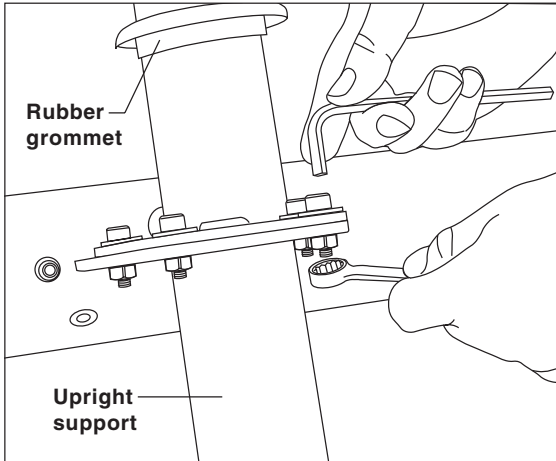
19. Secure the upright support by replacing the four fasteners set aside in step 5.

20. Retighten the two handrail clamp screws.

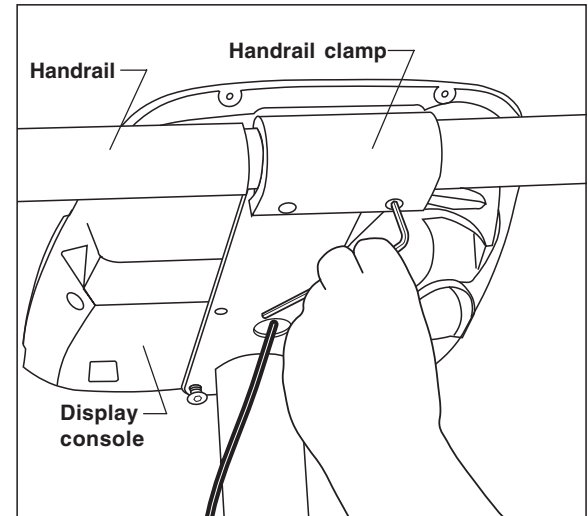
Important: Look underneath the handrail clamp at the gap between the handrails. The area between the ends of the handrails should be no larger than a ¼-inch gap. If necessary, push the handrails toward each other before tightening the screws.

21. Replace the back cover and rubber grommet.

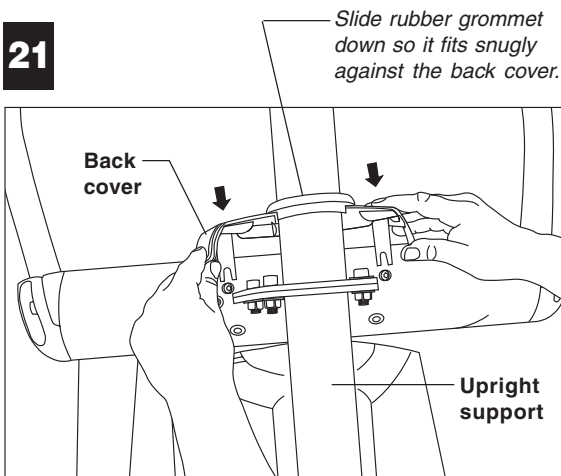
Replace the back cover onto the upright support. Fit the lip of the back cover into the tabs along the inside surface of the grommet. Apply pressure to the top of the back cover while you tighten the screws.



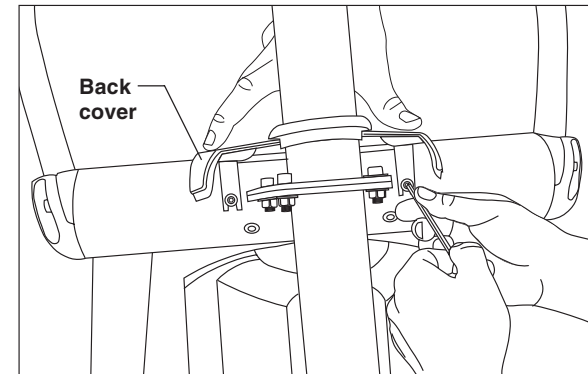
19



20



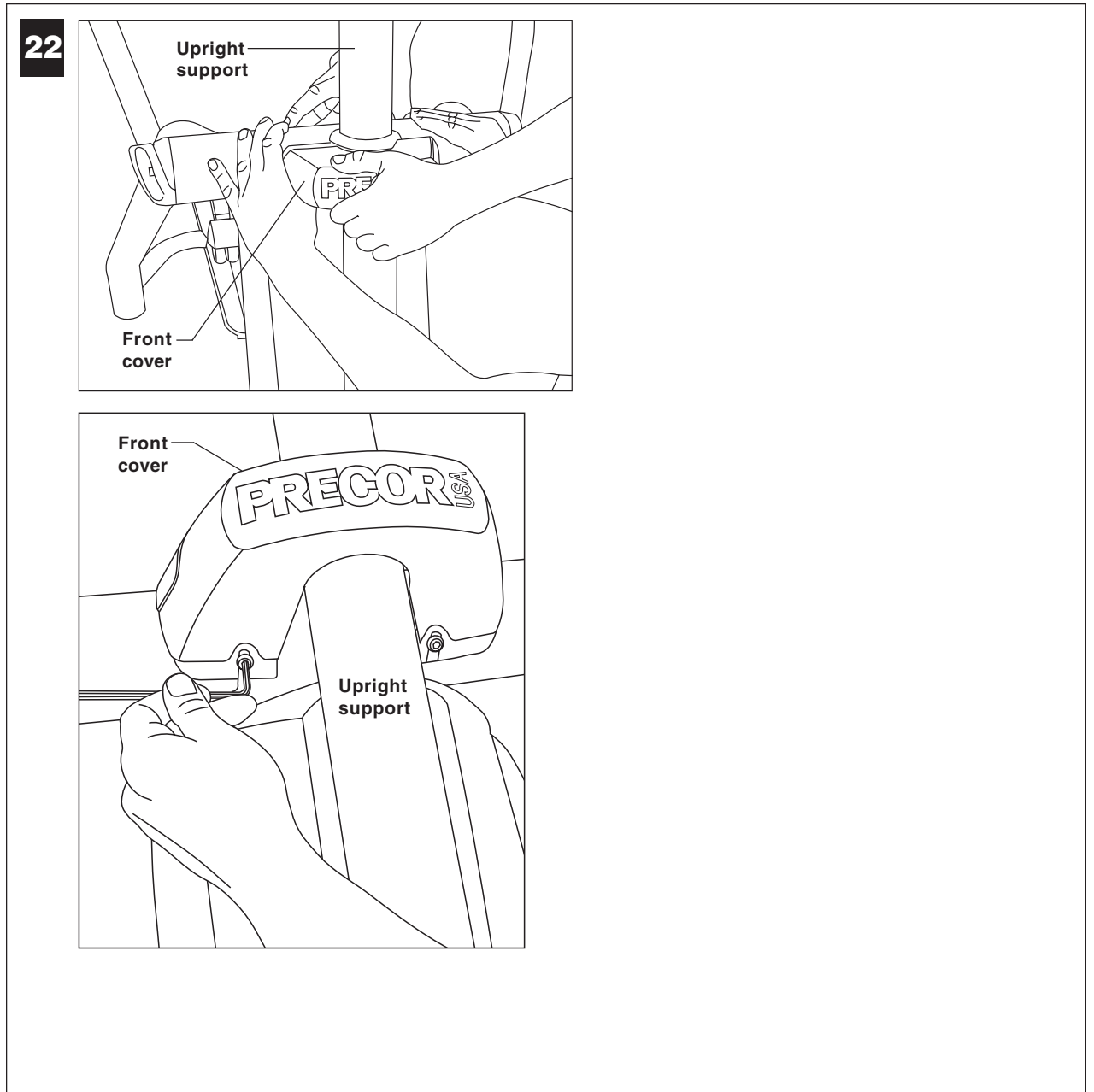
21



22. Reinstall the front cover and secure it with the two screws removed in step 2.

Before tightening the front cover, be sure to fit the lip of the front cover into the tabs along the inside surface of the grommet.

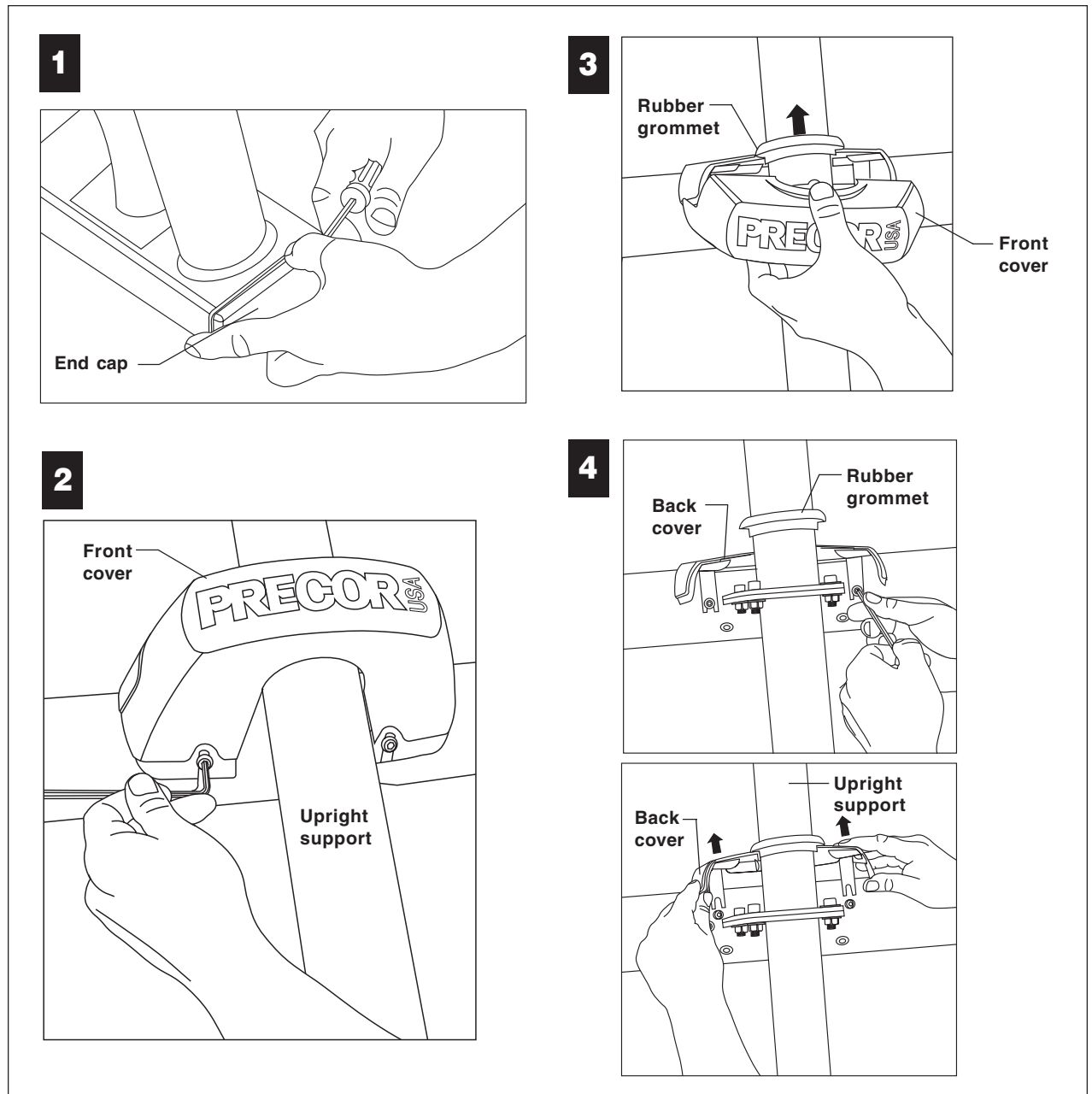
To complete the installation, refer to the instructions on page 19.



Preparing the EFX556i

1. Pry the rubber end cap off the base using a flat head screwdriver. Set the end cap aside.
2. Remove the front cover.
Loosen and remove the two screws securing the front cover. Set the front cover and fasteners aside.
3. Move rubber grommet.
Slide the rubber grommet along the upright support toward the display.
4. Remove the back cover.
Loosen the two screws securing the back cover. Slide the back cover away from its bracket and set it aside.

Important: Do not remove the two screws securing the back cover.



Preparing the EFX556i

Important: Ask someone for help before completing the next step.

5. Remove the four fasteners securing the upright support.

Ask your assistant to hold the upper support while you use a ¼-inch hex and ½-inch box end wrench to remove the four fasteners that secure the upright support. Keep the fasteners together and within easy reach.

Important: A data cable runs the length of the upright support. Do not separate the upper support from the lower support until you have disconnected the cable in the next step.

6. Disconnect the data cable.

Ask your assistant to gently lift the upper support to expose a gap between the upper and lower supports. Access the data cable and disconnect it.

7. Lay the upper support and display console on a clean work surface.

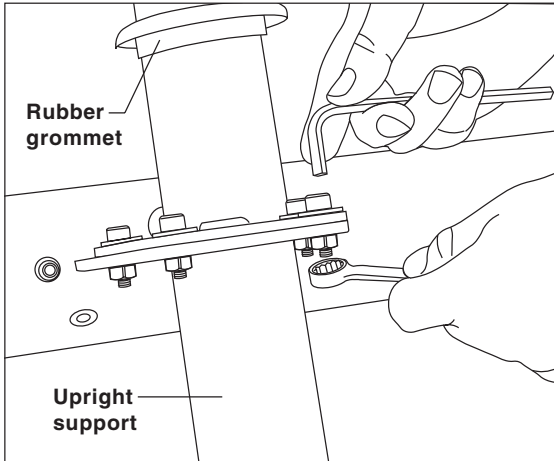
8. Separate the display console from its bracket.

Remove the four screws from the back of the display console bracket using a 5/32-inch hex key. Secure the display console so its weight does not place excessive pressure on the data cable.

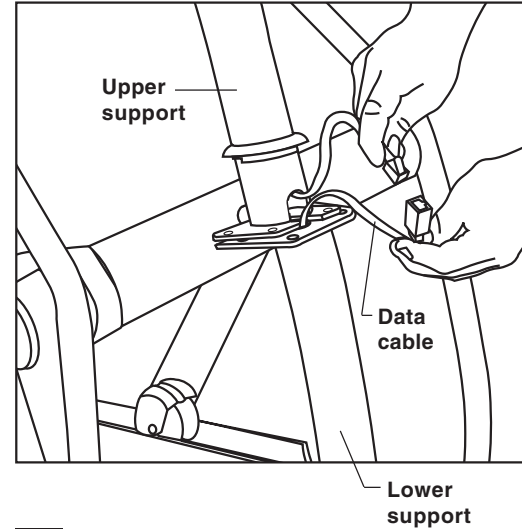
9. Remove the plastic plug.

Use your thumbs to pop the plastic plug from the display console bracket. Discard the plug.

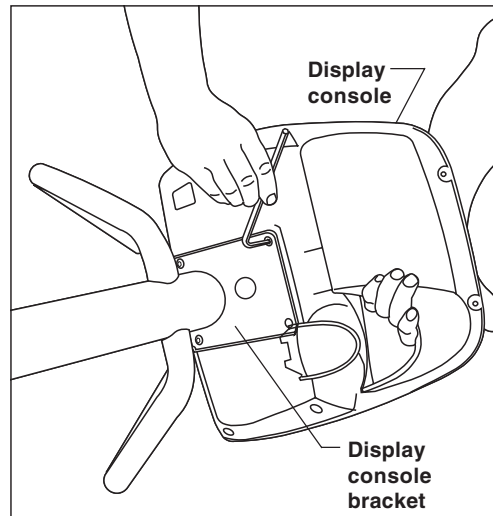
5



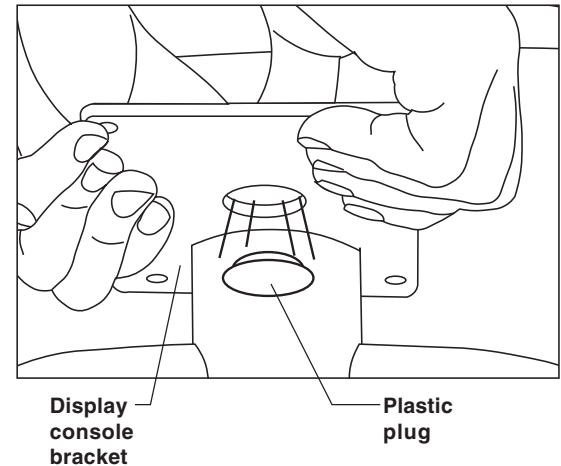
6



8



9



10. Attach the power extension cable to the power connector on the coaxial/power cable.

Locate the coaxial/power cable provided with the LCD Screen. One end of the coaxial/power cable has three connectors; the other end has two connectors. Attach the power extension cable to the power connector on the end with the two connectors (coaxial and power).

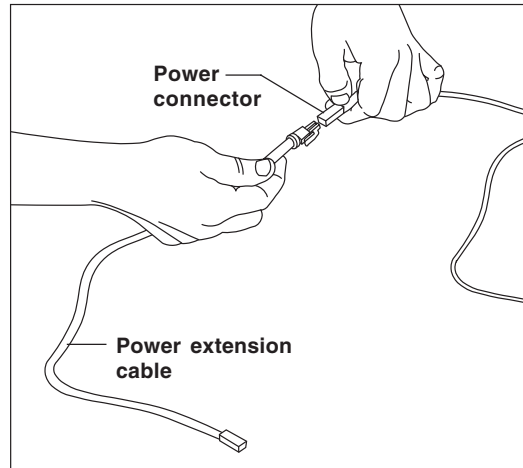
11. Feed the coaxial/power cable with its connectors through the display console bracket.

Insert the coaxial/power cable with its two connectors up through the hole in the display console bracket.

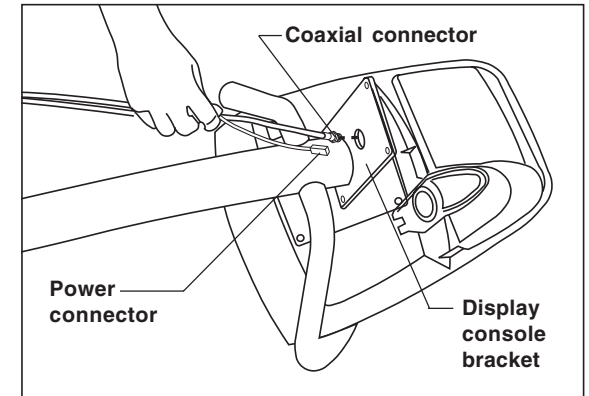
12. Feed the coaxial/power cable with its connectors through the upright support.

Note: Leave about 3 feet (1 meter) of the coaxial/power cable with its three connectors (coaxial, power, and DVD) hanging out of the hole in the display console bracket. This portion of the cable will be fed through the bracket assembly before it is attached to the back of the display console.

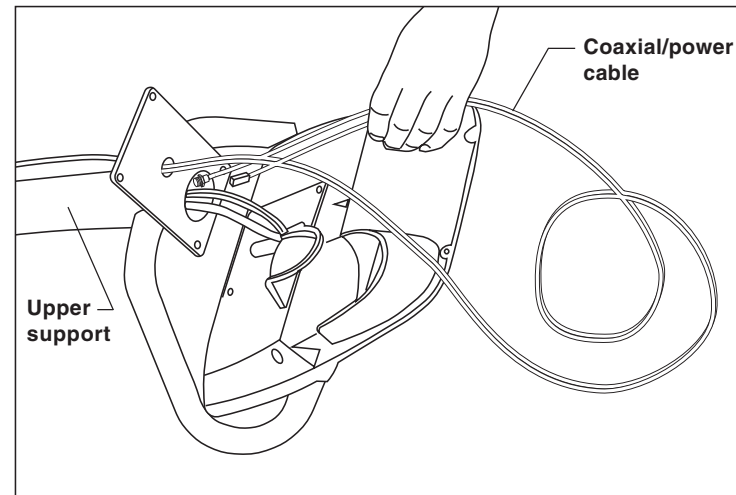
10



11



12



13. Secure the display console.

Replace two of the screws at the base of the display console bracket. Do not fully tighten the screws! Leave space between the screw heads and the display console bracket. The bracket assembly slides in between the two.

14. Reconnect the data cable.

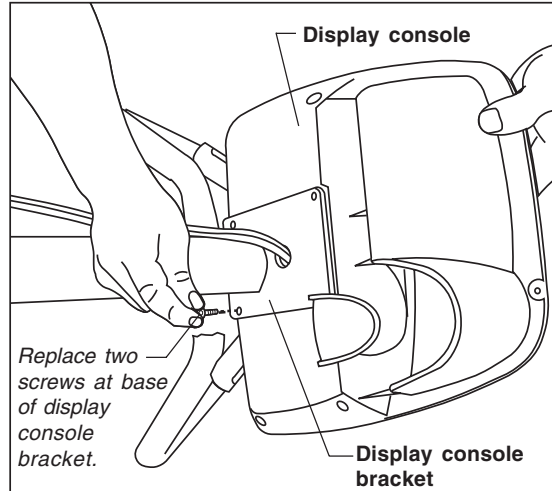
Ask your assistant to hold the upper support above the lower support while you reconnect the data cable. Push the connection into the lower support tube.

15. Slide the coaxial/power cable with its two connectors through the lower support.

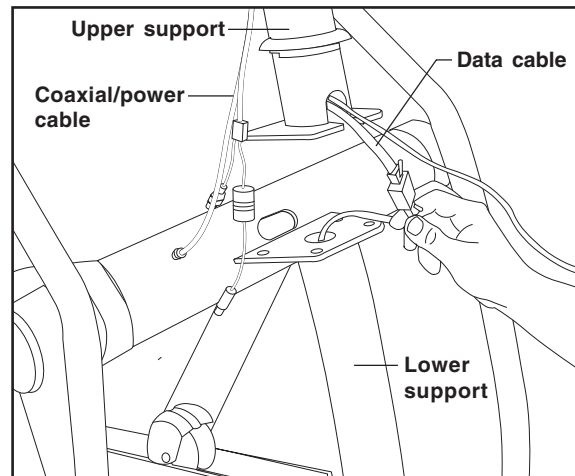
While your assistant holds the upper support, continue feeding the ends of the coaxial/power cable into the lower support. Slide the cable and its connectors so no excess remains at the gap between the upper and lower supports. Ask your assistant to lower the upper support and realign the mounting holes.

CAUTION: Be careful! A height adjuster screw protrudes inside the base tube. Cables can get caught and fingers scratched on the screw threads.

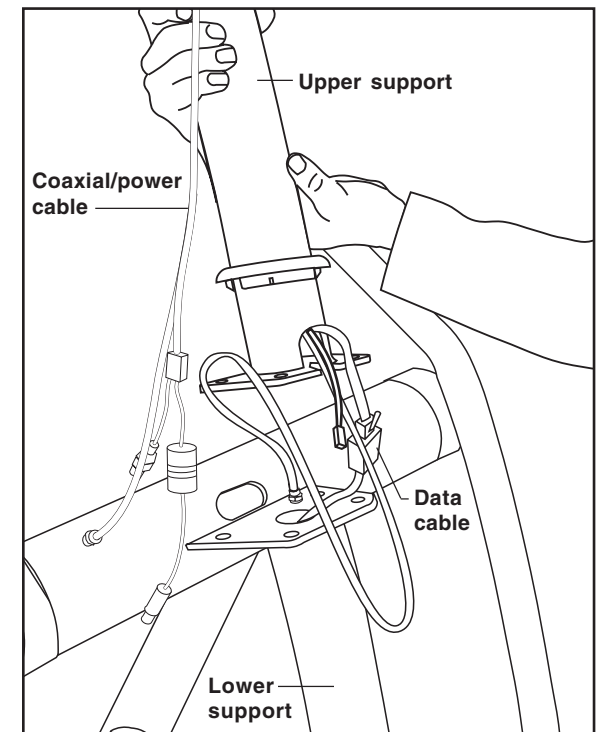
13



14



15



16. Pull the cable and its two connectors out of the lower support and base tube.

Note: Remember to leave about 3 feet (1 meter) of cable hanging out of the hole in the display console bracket.

17. Secure the upright support by replacing the four fasteners set aside in step 5.

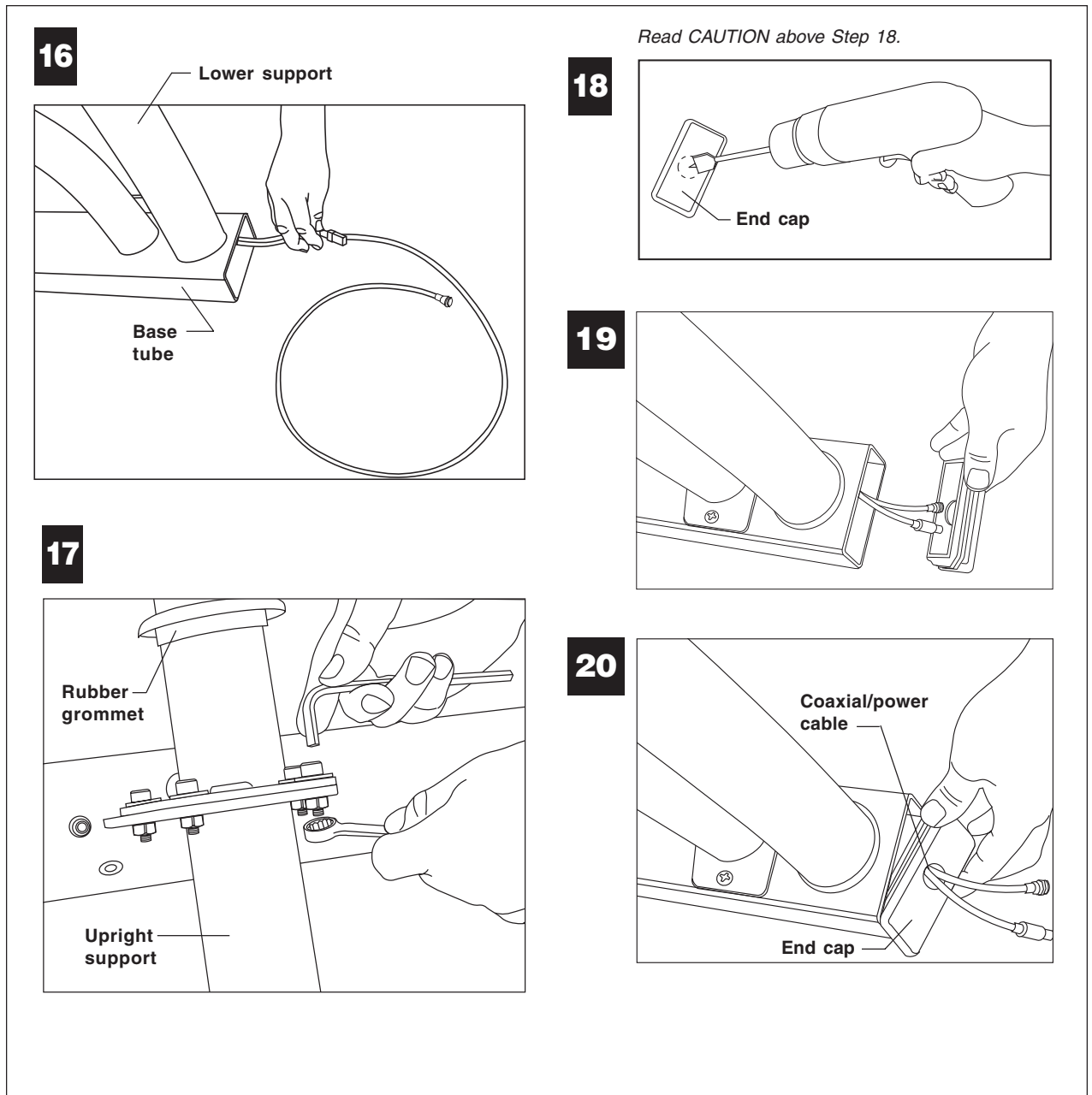
CAUTION: The next step requires the use of a drill and the safety considerations that go along with operating power tools. Protect the work surfaces. Take the necessary steps to avoid injury to yourself or damage to the surrounding area and equipment.

18. Drill a hole in the end cap.

Use the $\frac{7}{8}$ -inch drill bit to drill a hole through the center of the end cap.

19. Feed the cable and its two connectors through the hole in the end cap.

20. Replace the end cap in the base tube.



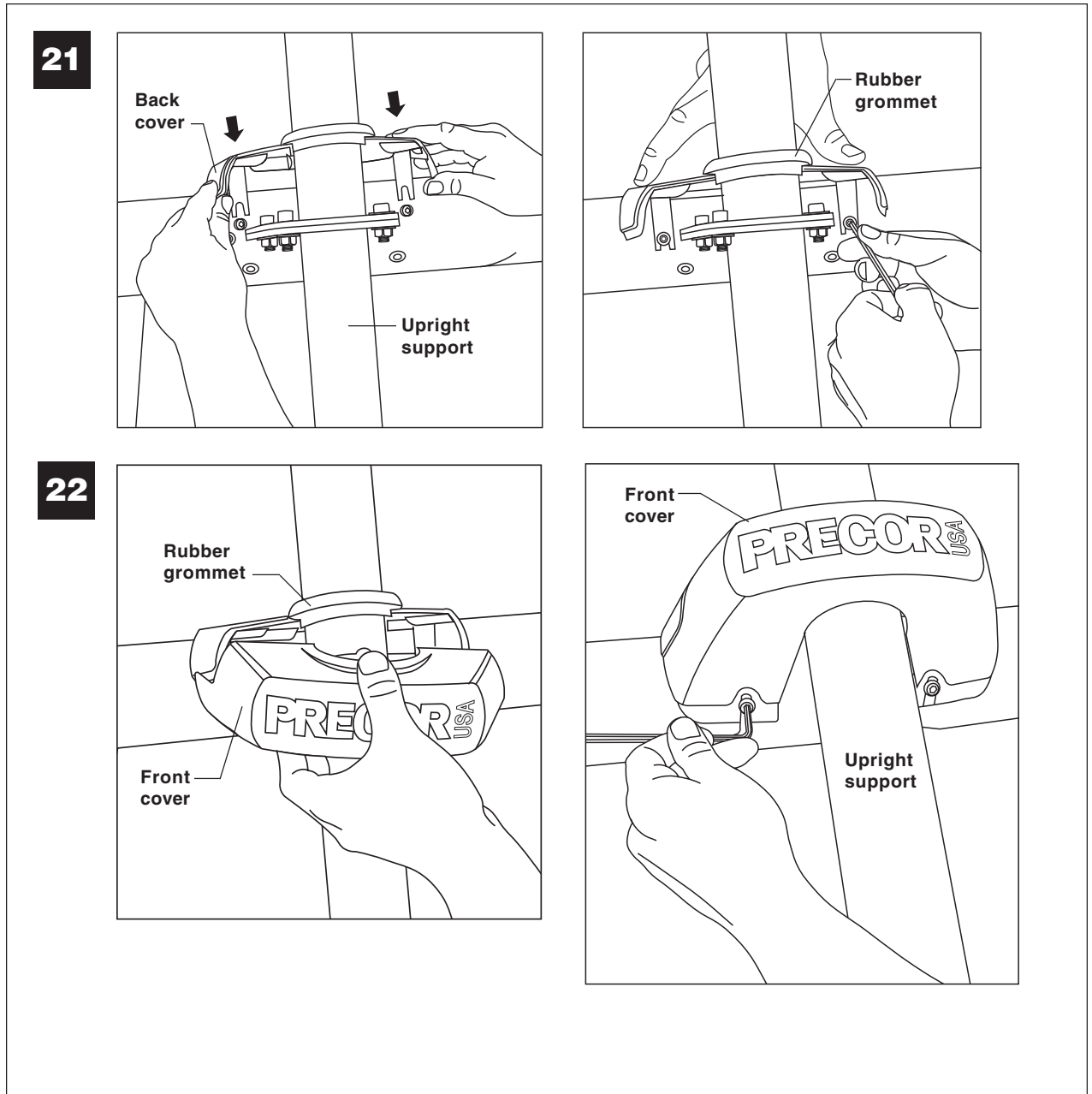
21. Replace the back cover and rubber grommet.

Replace the back cover onto the upright support. Fit the lip of the back cover into the tabs along the inside surface of the grommet. Apply pressure to the top of the back cover while you tighten the screws.

22. Reinstall the front cover and secure it with the two screws removed in step 2.

Before tightening the front cover be sure to fit the lip of the front cover into the tabs along the inside surface of the grommet.

To complete the installation, refer to the instructions on page 19.

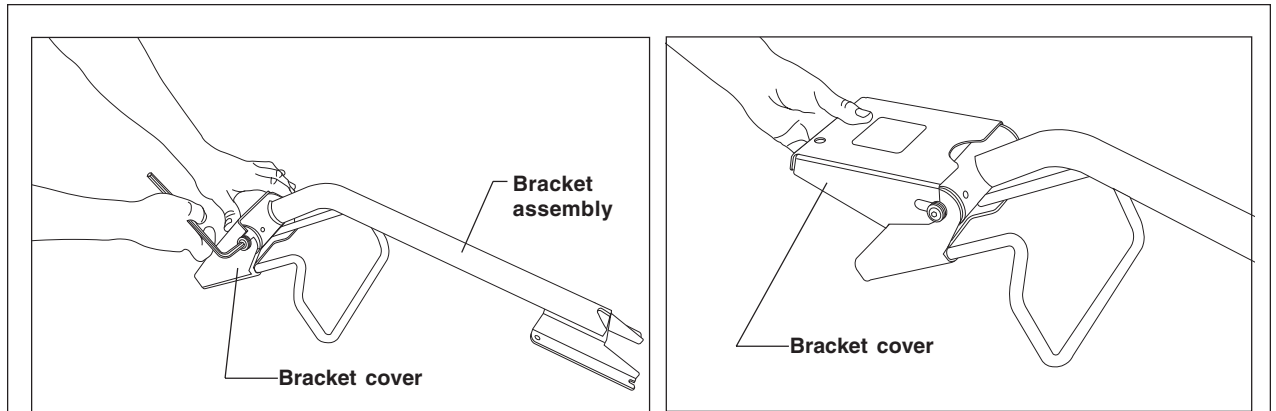


4 Install the Bracket Assembly

1. Remove the bracket cover.
Loosen the bolts on the pivot tube using a $\frac{7}{32}$ -inch hex key. Pull the bracket cover away from the assembly. Set it aside.

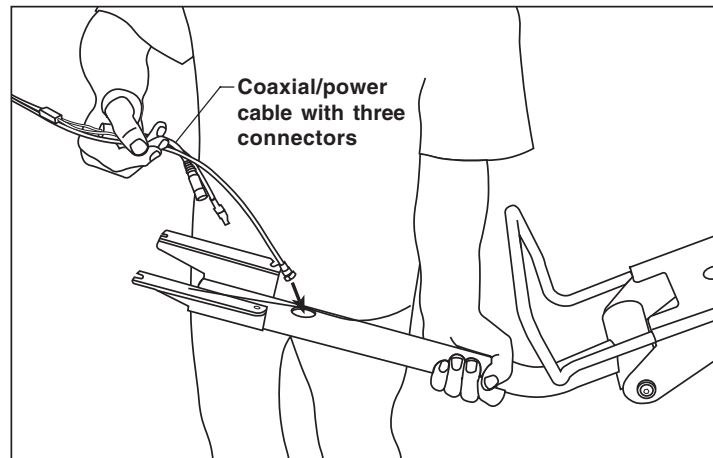
2. Feed the coaxial/power cable with its three connectors through the bracket assembly.

Ask your assistant to hold the bracket assembly near the upright support while you slide the coaxial/power cable and its three connectors (coaxial, power, and DVD) through the bracket assembly tube.

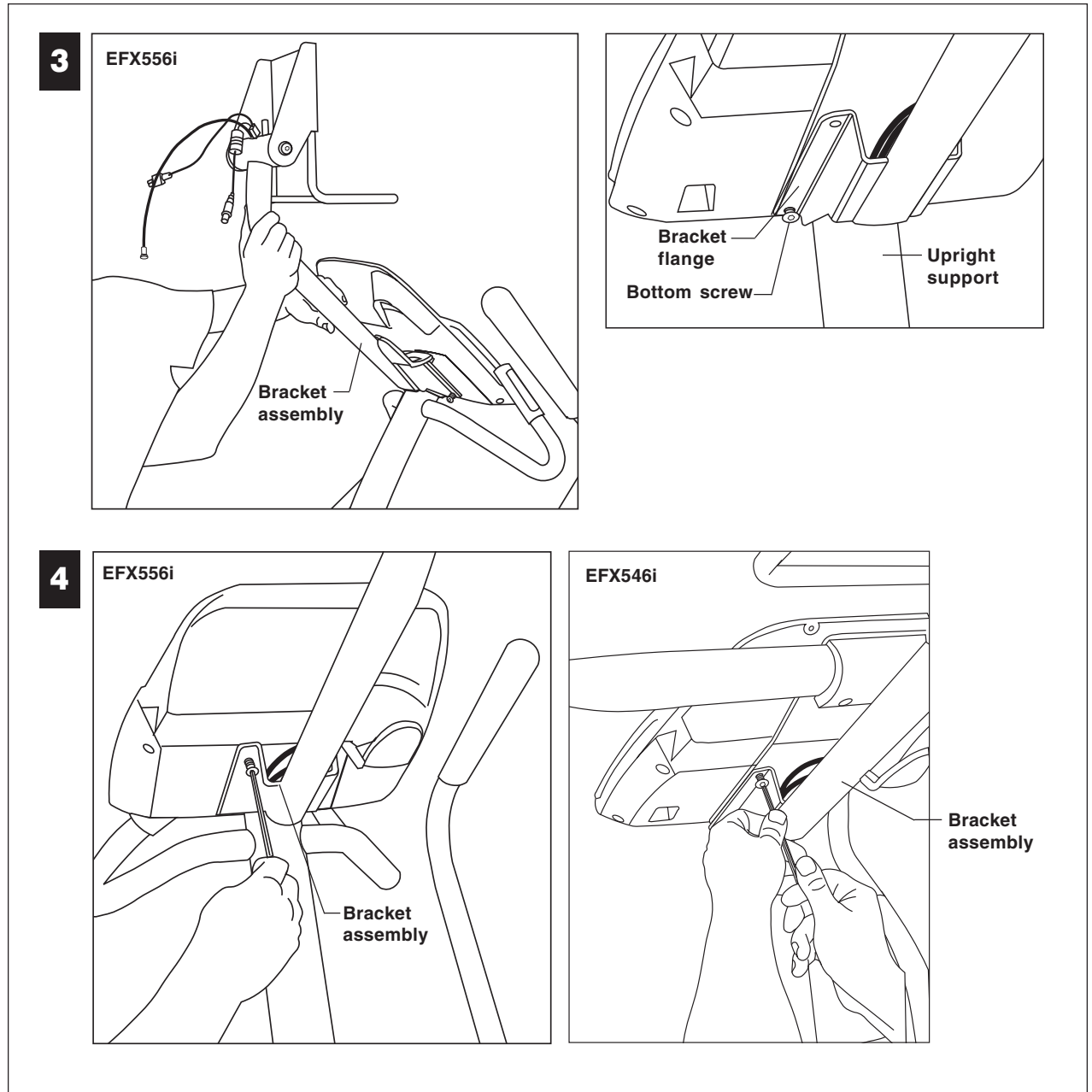


1

2



3. Fit the bracket assembly on to the display console bracket.
Ask your assistant to lift the bracket assembly and position it along the back of the display console bracket. Make sure the bracket assembly slides into place so that the cutouts at the base of the flanges fit around the bottom two screws.
4. Secure the bracket assembly to the display console bracket.
Ask your assistant to continue holding the bracket assembly, while you align the mounting holes and replace the remaining two display console bracket screws. Securely tighten all four screws using a $\frac{5}{32}$ -inch hex key.



5

Attach the LCD Screen

Important: The screen spacer is used only for the Cardio Theater PVS4/5/15 LCD Screen.

1. To protect the LCD Screen for the next few steps, place it screen side down on a clean work surface.

Important: Use proper materials to protect the LCD Screen while you remove the plastic cover and metal mounting bracket from the backside of the LCD Screen.

2. Remove the plastic cover.

Use a Phillips-head screwdriver to remove the two screws holding the plastic cover to the LCD Screen. Discard the plastic cover and the screws.

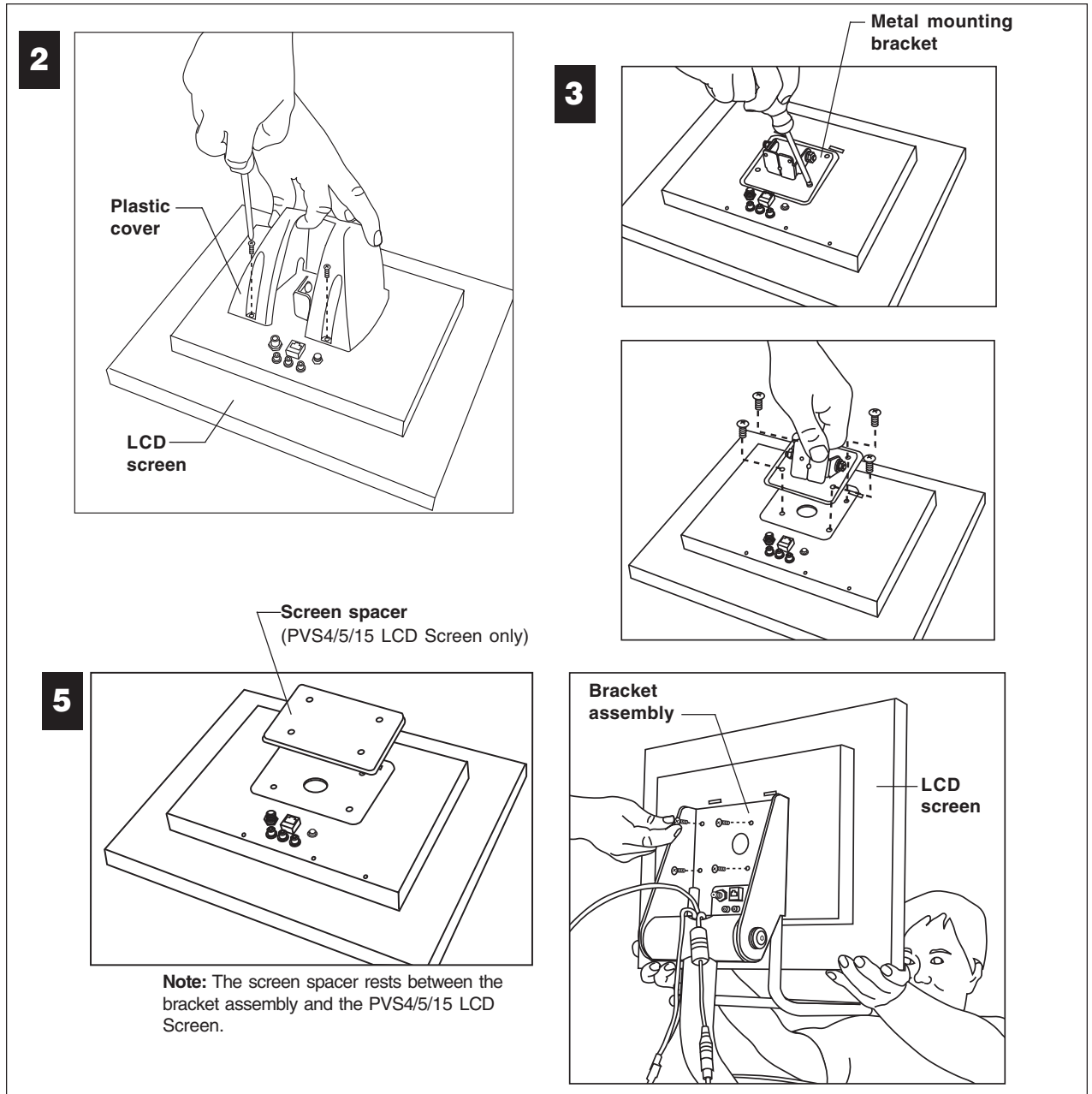
3. Remove the metal mounting bracket.

Remove the four screws securing the metal mounting bracket. Discard the mounting bracket and the four screws.

4. Retrieve four new Phillips-head screws from the bracket assembly package.

Note: Use the longer screws if attaching the screen spacer with the PVS4/5/15 LCD Screen.

5. Attach the LCD Screen to the bracket assembly. If you have the Cardio Theater PVS4/5/15 LCD Screen, you will need to insert the screen spacer between the screen and bracket to ensure a proper fit.



6. Fully tighten the bottom two screws.

Use a Phillips-head screwdriver to fully tighten the bottom two screws. Leave the top two screws finger tight.

7. Connect the coaxial/power cable connectors to the LCD Screen.

Attach the connectors—coaxial, power, and DVD—to the back of the LCD Screen.

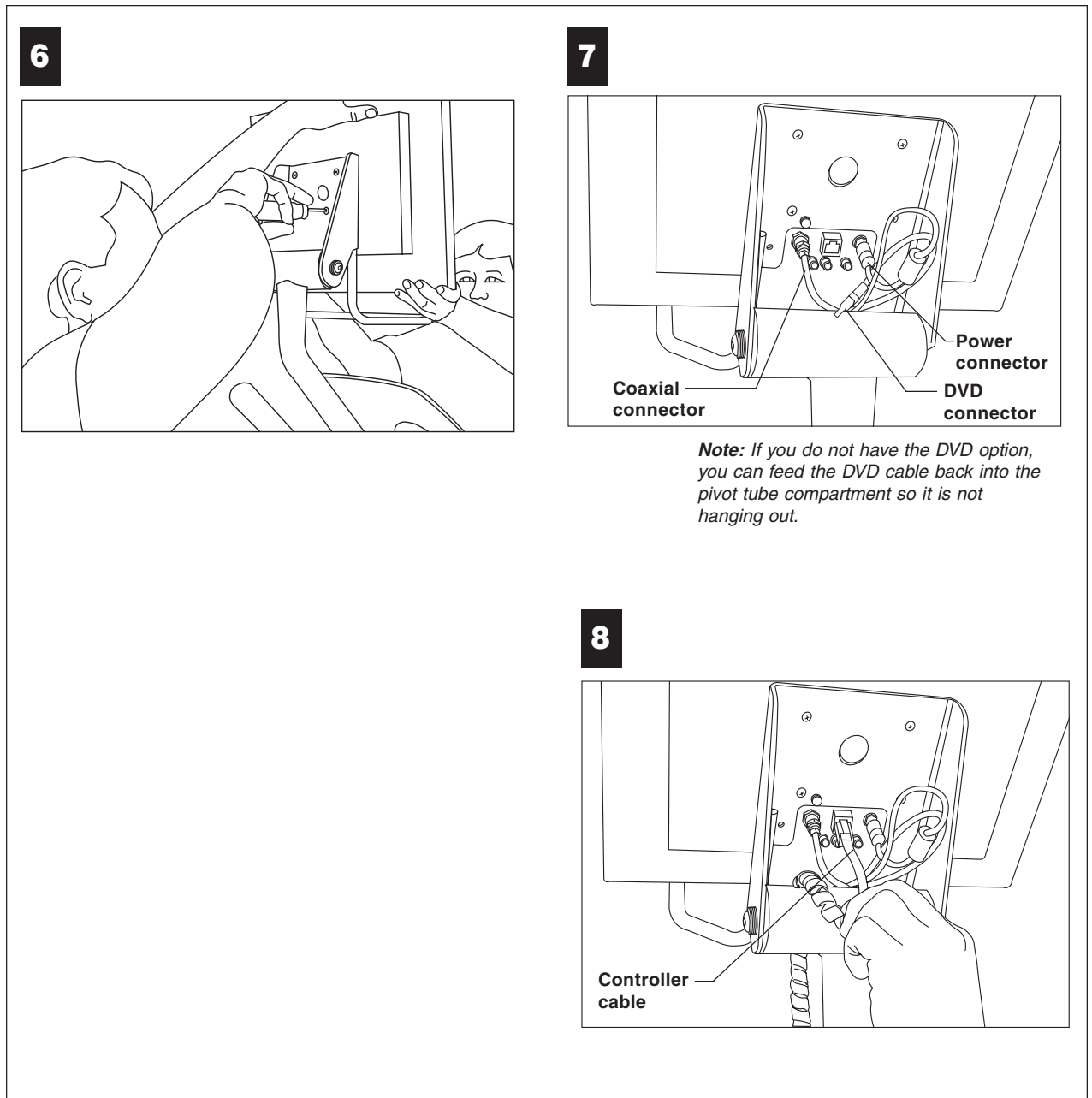
Note: If you do not have a DVD option, you can feed the DVD cable back into the pivot tube compartment so it is not hanging out.

8. Connect the controller cable.

Feed the controller cable through the front side of the pivot tube and attach it to the back of the LCD Screen. You will hear a definite click as the connector snaps into place inside its receptacle.

Note: For more information about cable connections, refer to the Cardio Theater LCD Screen manual.

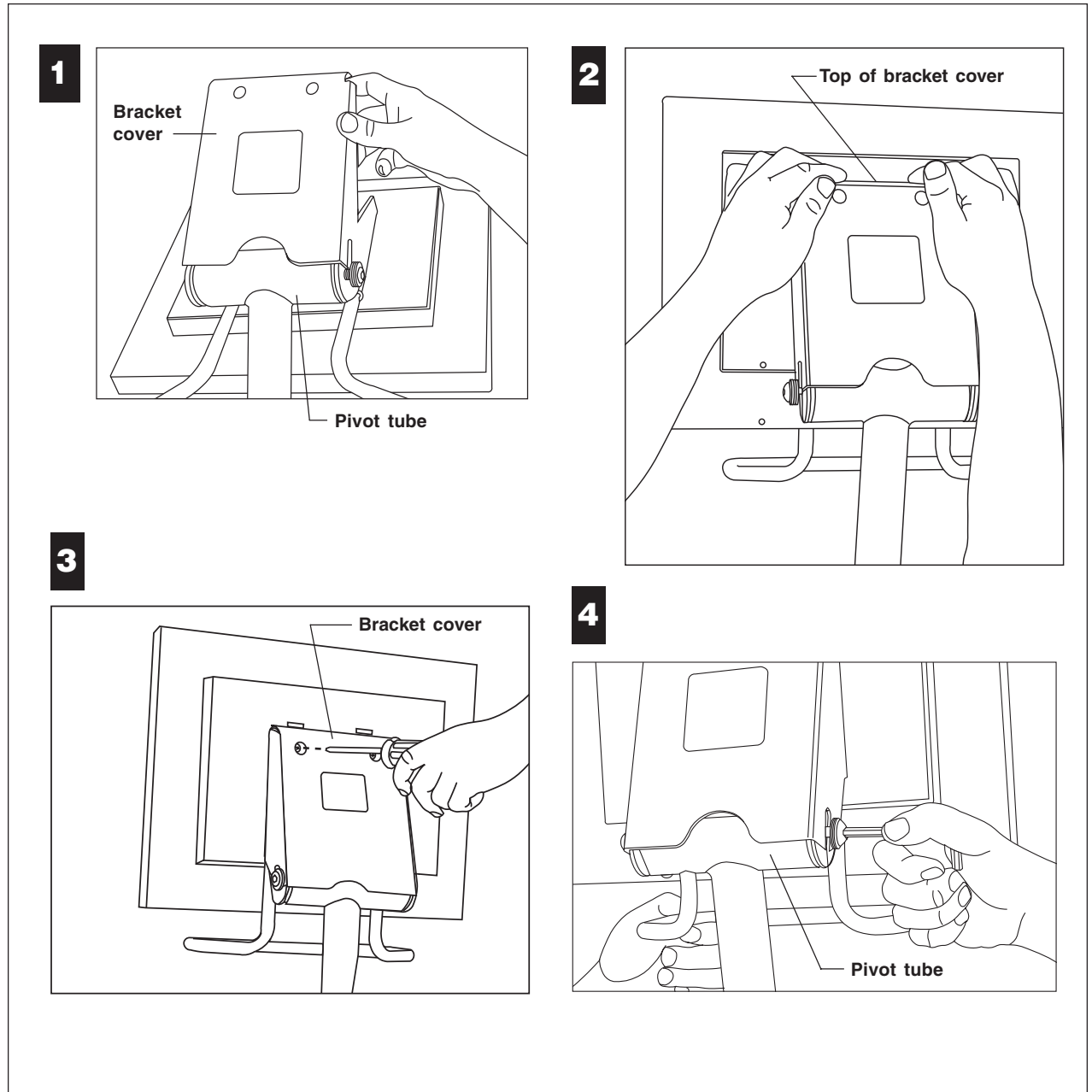
Important: If you purchased the DVD Integrated Bracket Option, you will want to install that option before you continue to the next section. Refer to the DVD Integrated Bracket Option Guide for assembly instructions.



6

Reinstall the Bracket Cover

1. Prepare the fasteners for reinstalling the bracket cover.
Push the washers and bearings toward the bolt heads so there is room for the bracket cover to slide in flush against the pivot tube.
Important: Keep the bracket cover flanges flush with the pivot tube. The washers and bearings need to remain on the outside of the bracket flanges.
2. Hold the bracket cover above the pivot tube.
Apply pressure to the top of the bracket cover while you slide it into position.
3. Tighten the two top screws on the back of the LCD Screen.
Use a Phillips-head screwdriver to fully tighten the top two screws on the back of the LCD Screen. Access holes have been drilled through the bracket cover.
4. Secure the bracket cover.
Using a torque wrench and a $\frac{7}{32}$ -inch hex key, retighten the two pivot tube fasteners to 120 in-lbs.

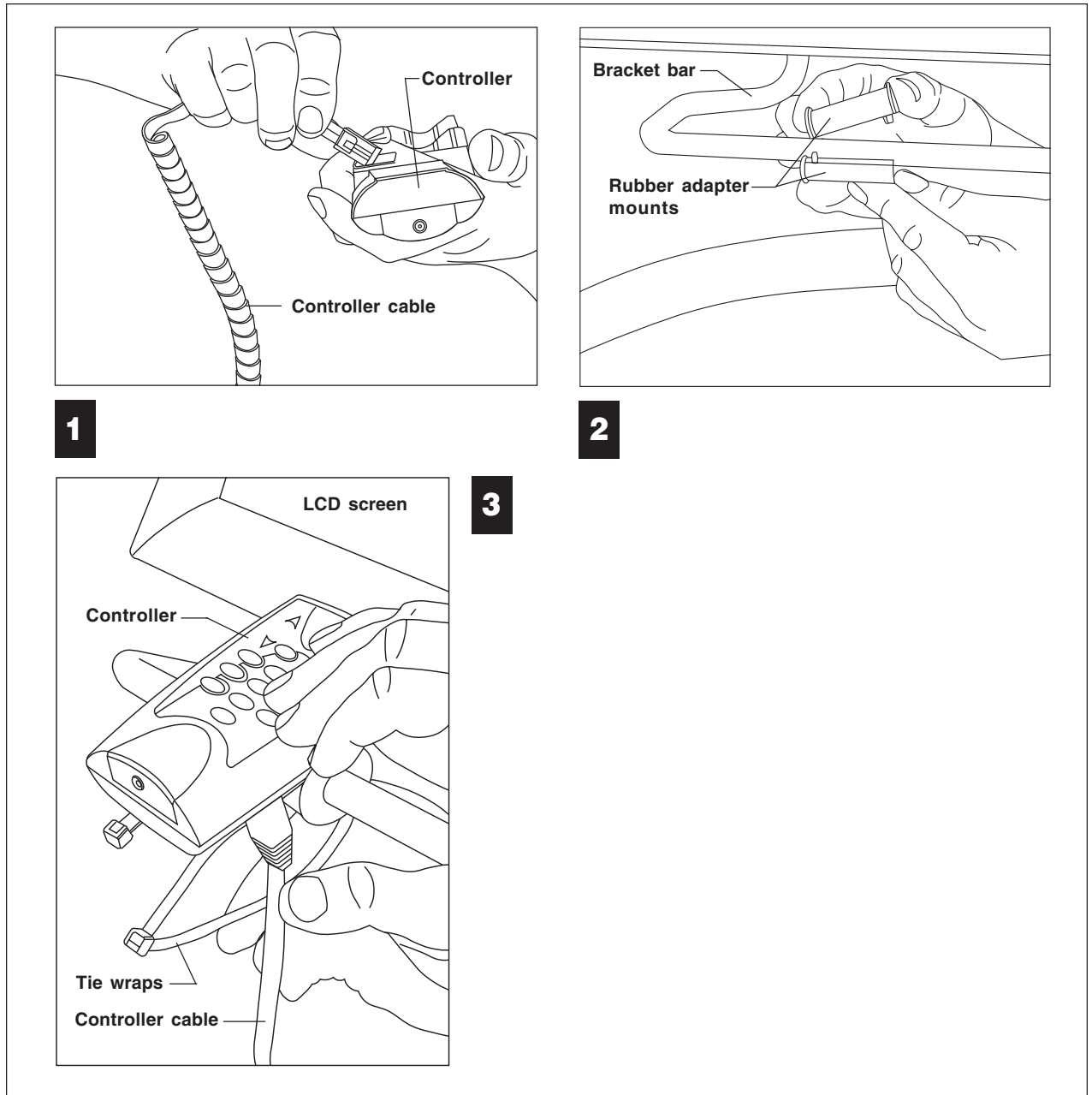


7

Connect the Controller and the Cables

Note: Retrieve the rubber adapter mounts from the bracket assembly package. Retrieve the controller from the LCD Screen package.

1. Connect the controller cable to the controller.
A definite click is heard when the connector snaps into place inside its receptacle.
2. Place the rubber adapter mounts around the center of the bracket bar.
3. Secure the controller.
Use two tie wraps to secure the controller to the rubber adapter mounts and bracket bar.
4. At the base of the EFX, plug the power and coaxial connectors on the coaxial/power cable into the strip designed for Cardio Theater use.
Note: For more information, refer to the Cardio Theater LCD Screen manual.





Precor Incorporated
20031 142nd Avenue NE
P.O. Box 7202
Woodinville, WA USA 98072-4002

Precor and Cardio-Theater are registered trademarks of Precor Incorporated.
Specifications subject to change without notice.
Copyright 2005 Precor Incorporated.
Precor web site: www.precor.com

NOTICE:

Precor is widely recognized for its innovative, award winning designs of exercise equipment. Precor aggressively seeks U.S. and foreign patents for both the mechanical construction and the visual aspects of its product design. Any party contemplating the use of Precor's product designs is hereby forewarned that Precor considers the unauthorized appropriation of its proprietary rights to be a very serious matter. Precor will vigorously pursue all unauthorized appropriation of its proprietary rights.

Cardio Theater Bracket Assembly Lit Kit # CX47836-102
EFX546i and EFX556i
20 June 2005