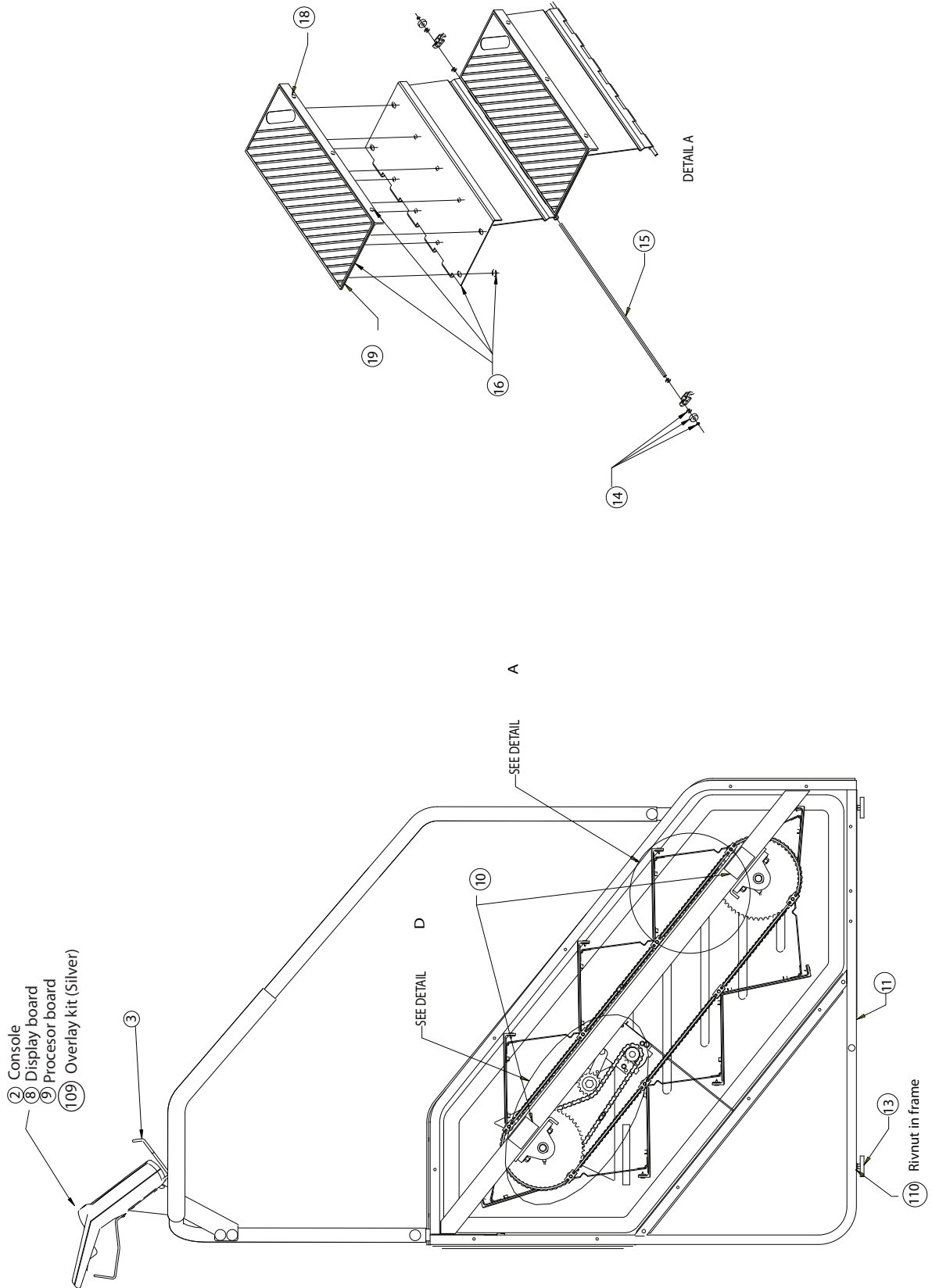
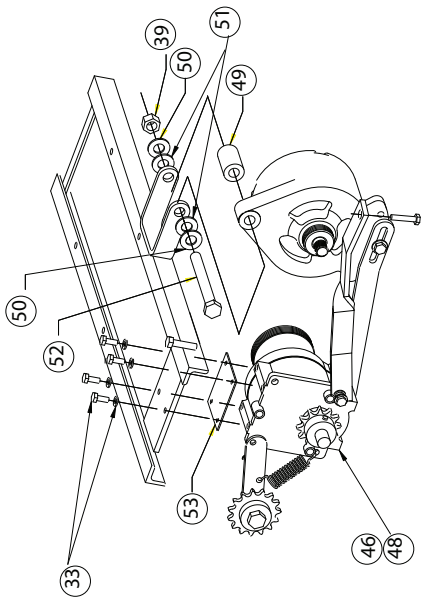


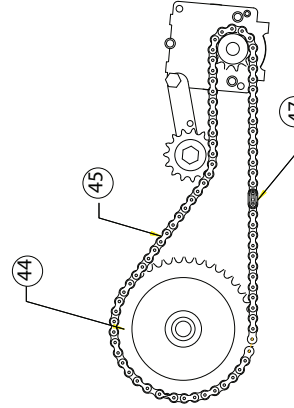
Stairmaster 7000PT Domestic Silver



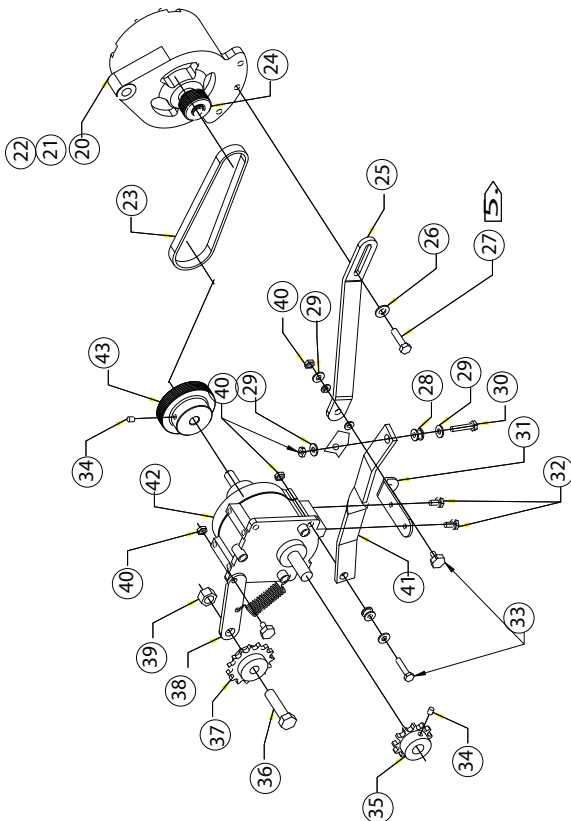
Stairmaster 7000PT Domestic Silver



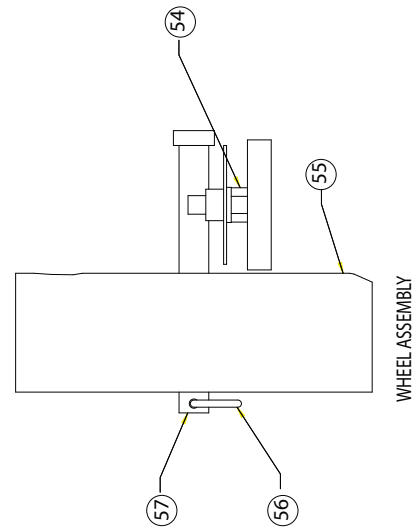
TRANSMISSION ASSEMBLY MOUNTING TO FRAME



TRANSMISSION CHAIN ASSEMBLY

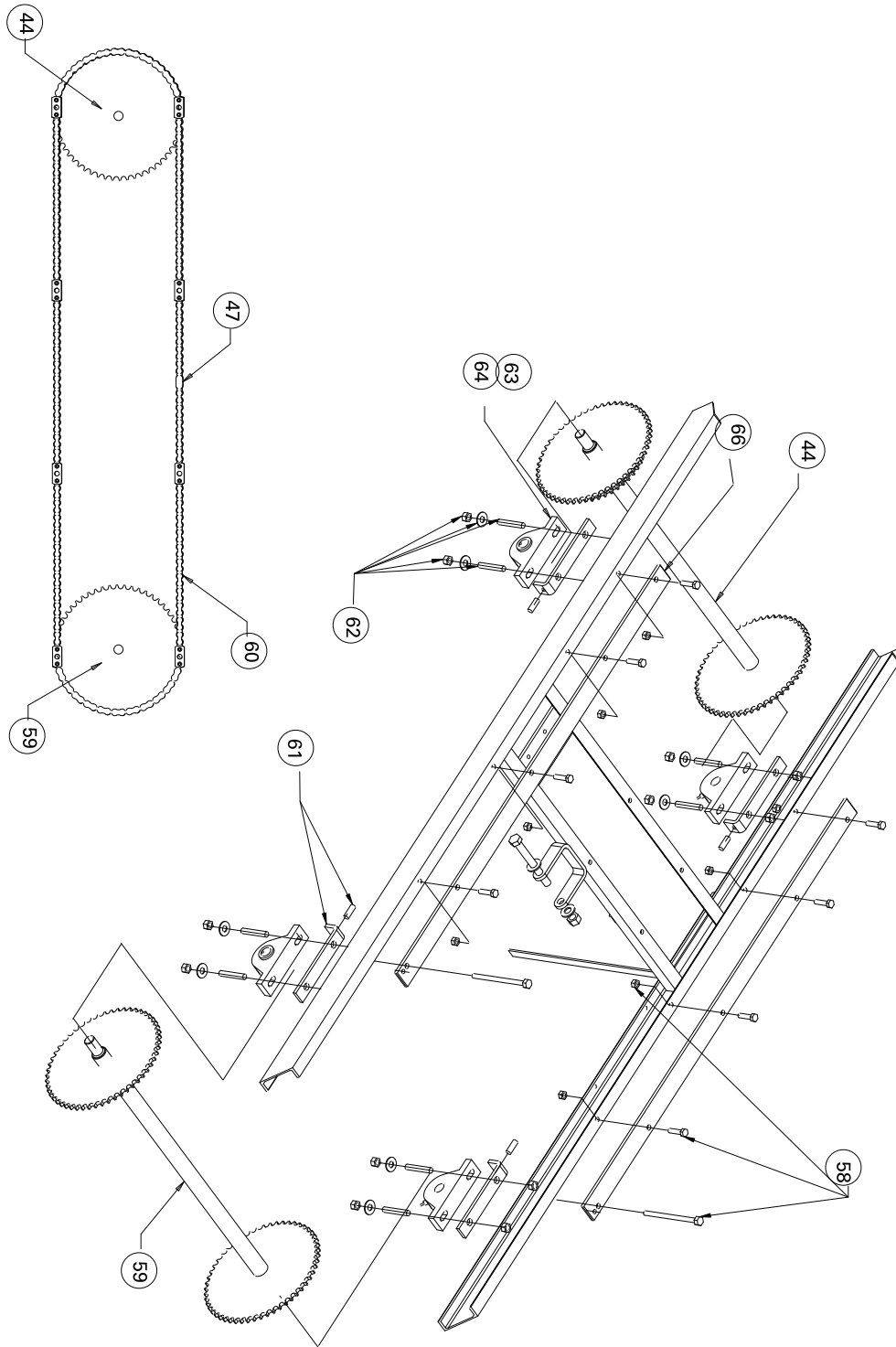


TRANSMISSION ASSEMBLY

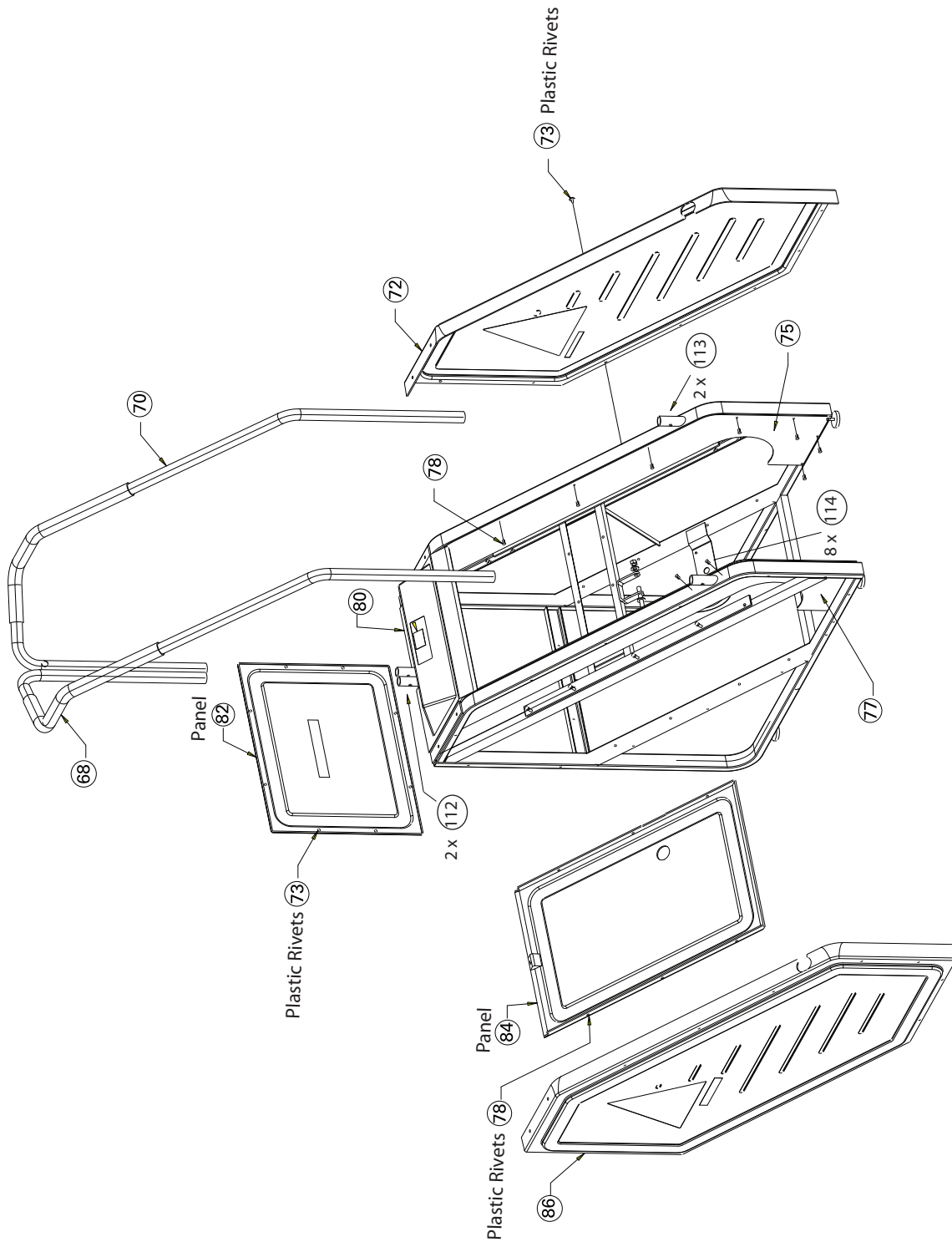


WHEEL ASSEMBLY

Stairmaster 7000PT Domestic Silver



Stairmaster 7000PT Domestic Silver



7000PT,WBOM,SILVER,DOM.,SM200103

REF	PART #	DESCRIPTION
2	SM25583	ASSY,CONSOLE,C40,NLS GREY
3	SM27791-03	WIREFORM,MAGAZINE HOLDER
5	SM27783-03	WIREFORM ASSY, WATER BOTTLE, BLACK
6	SM25244	SCREW, .250-20X.50 BUTTON HD CP
7	SM25454	Console Bolt Kit (4)
8	SM40070-001	PCBA, DISPLAY, CJ40
9	SM27130	PCB ASSY,C40 PROCESS(M128)NON-
10	SMQ36271-001	FOAM,PAD
11	SM25492	(CS) ASSY,FRAME,MAIN,7000PT,GREY
13	SM20017	LEVELER, LEG
14	SM25496	(CS) Kit, Step Shaft,HW,7000PT
15	SM22849	SHAFT,STEP,7000 PT,V2
16	SM25493	(CS)ASSY,STEP W/TREAD,3 HOLES, GREY
18	SM21363	FASTENER,CHRISTMASTREE,PLASTIC
19	SM21398	TREAD,STEP,3 HOLES,7000 PT
20	SM20205	ALTERNATOR,PRESTOLITE,1992
21	SM21164	(CS)ASSY,ALT,STEPMILL
22	SM23830	(CS)ASSY,ALT W/POLY-V PULLEY
23	SM20202	BELT,POLY-V,200J6
24	SM21247	PULLEY,ALTERNATOR,POLY-V
25	SM10860	BRACKET,TRANSMISSION,STEPMILL
26	SM22075	WASHER,.312 USS FLAT
27	SM22146	SCREW,.312-18X1.25,HEX HD CAP
28	SM22435	GROMMET,.25 ID x .44 OD
29	SM22038	WASHER,.312
30	SM22164	SCREW,.250-20X1.25,HEX HD CAP
31	SM20547	BRACKET,TRANSMISSION, OUT
32	SM22139	SCREW,.250 X .50,SELF TAPPING
33	SM25497	(CS) Kit, Transmission,Mounting HW,7000PT
34	SM22037	SCREW,SET,SOCKET,.250-20 X .38
35	SM23427	SPROCKET, 12T
36	SM22043	SCREW,.500-13X2.00,HEX HD CAP
37	SM20007	SPROCKET, IDLER
38	SM20693	ARM,IDLER,STEPMILL
39	SM22042	NUT,.500-13,NYLON INSERT
40	SM22036	NUT,.250-20,NYLON INSERT
41	SM10059	BRACE,TRANSMISSION,STEPMILL
42	SM20001	REDUCER, SPEED
43	SM24662	PULLEY,TRANSMISSN,POLY-V,7000
44	SM23424-03	WLDMNT,SPRCKT,UPPER,STEPMILL
45	SM23257	CHAIN,DRIVE,#40 X 41.50" LG
46	SM23591	ASSY,SPEED REDUCER,STEPMILL,SV
47	SM25439	LINK, MASTER, #40
48	SM22434	ASSY,SPEED REDUCER,7000 PT,SV
49	SM20114	SPACER, ALTERNATOR
50	SM22091	WASHER,.50 SAE FLAT
51	SM22191	WASHER,SHOULDER,.38 I.D.
52	SM26669	SCREW,.500-13x4.50,HEX HD CAP
53	SM20808	PAD, RUBBER TRANSMISSION
54	SM22154	NUT, 5/16-18 SERRATED FLANGE
55	SM20036	WHEEL,TRANSPORT
56	SM20047	COTTER, HAIRPIN PLATED
57	SM22839	PIN,CLEVIS,.50 DIA. X 5.00
58	SM25498	(CS) Kit,Bearing plate,HW,7000PT
59	SM10205-03	WLDMNT,SPRCKT,LWR,STEP,W/B PWD

REF	PART #	DESCRIPTION
60	SM27268	ASSEMBLY,CHAIN,STEP DRIVE,7000
61	SM10037-03	ADJUSTER,BEARING,STEPMILL,N/F
62	SM25862	(CS) Kit,Pillow Block,HW,7000PT
63	SM22427	SCREW,SET,SOCKET,.250-28 X .25
64	SM20012	BEARING,PILLOW BLOCK
66	SM22848	PLATE,BEARING,STEPMILL,V2 (After 9/00)
68	SM25578	ASSY,HANDRAIL,LH,NLS GREY
70	SM25579	ASSY,HANDRAIL,RIGHT,NLS GREY
72	SM25495	(CS)PANEL,MAIN-DCL,RT,7000PT,GREY
73	SM22086	RIVET,PANELS, PLASTIC
75	SM25858	PANEL,INS,RH,7000 PT,NLS GREY
77	SM25859	PANEL,INS,LH,7000 PT,NLS GREY
78	SM24757	RIVET,PLASTIC,PERM.,7000 PT
80	SM25494	(CS)PANEL, TOP,PF W/DCL,7000PT,GREY
82	SM25573	PANEL,BACK, NLS GREY
84	SM25575	PANEL,BOTTOM, NLS GREY
86	SM25577	ASSY,PANEL,MAIN,LH,NLS GREY
87	SM22213	WASHER,FINISHING,.375
88	SM22142	WASHER,FLAT .62 OD X .39 ID
89	SM24643	NUT,.375-16,HX JAM,NYLON INSRT
90	SM22937	SCREW,.375-16 X 3.50,HX HD CAP
91	SM22323	CAP,FINISHING
92	SM22097	SCREW,.375-16X3.25,HEX HD CAP
93	SM15034	GROMMET, .88
94	SM23792	SADDLE, WIRE
95	SM21769	ASSY,MAIN CABLE,C2,V2,7000 PT
96	SM22933	ASSY,RELAY/RESISTOR,7000PT
97	SM25863	(CS) Kit,Relay/Resistor,Mounting HW,7000PT
98	SM21768	ASSY,MAIN POWER HARN.,V2,7000
99	SM25869	(CS) Kit,Power Connector,HW,7000PT
100	SM24640	SCREW,.375-16 X 1.75 HX HD CAP
101	SM25581-01	BRACKET,CONSOLE MOUNT,NLS GREY
103	SM27831	ASSY CABLE, UPPER MAIN 7000
109	SM25877	KIT,C40 OVERLAY,GRY
110	SM21767	RIVNUT,.312-18 UNC
111	SM23545	ASSY,PCB,RELAY,STEPMILL
112	002-0662	WELDMNT,BRACKET,HANDRAIL,FRON
113	002-0665	WELDMNT,BRACKET,HANDRAIL,BACK
114	SM17579	SCREW,FH,10-32X.75,HEX DR, SS

PARTS NOT SHOWN ON DRAWING

REF	PART #	DESCRIPTION
NS	SM22869	MANUAL 7000TP C-40 (Send SM25971 also)
NS	SM23853	TOOL, REMOVAL, COVER FASTENERS
NS	SM24381	POWER SUPPLY,PS-7,3-PIN
NS	SM25971	MANUAL,ADDENDUM,OWNERS,7000PT