

Please review all safety and warning labels on the product and owner's manual prior to assembly.

Spinner® Velo XT Assembly Instructions

STAR TRAC FITNESS™



CARING FOR YOUR SPINNER® VELO XT BIKE

ADJUSTING AND LEVELING YOUR SADDLE - If you experience saddle discomfort while riding or sitting on your bike, the angle can be adjusted by loosening the 14mm nuts located under the saddle. After making your adjustment be sure to retighten the nuts before riding your bike.

PREVENTING RUST - After each use, raise handlebar and seat posts to the highest settings to expose moisture. Using an absorbent cloth, focus on all areas where perspiration can settle.

"Providing products to mold lifelong habits for health and fitness."



14410 Myford Road
Irvine California 92606

Telephone: (877) 530-8722, (714) 669-1660

Fax: (714) 508-3303 <http://www.startrac.com> email: support@startrac.com

Spin®, Spinning®, Spinner® and the Spinning logo are registered trademarks of Mad Dogg Athletics, Inc.



Thank you for choosing the SPINNER® VELO XT.

The bike has been designed to provide you with the most rewarding experience based upon the carefully planned features it possesses. The design elements of the bike will provide you with a comfortable, intuitive, safe and reliable experience, guiding you to a habit-forming lifestyle.

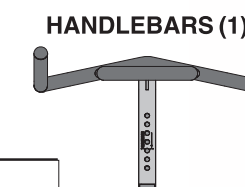
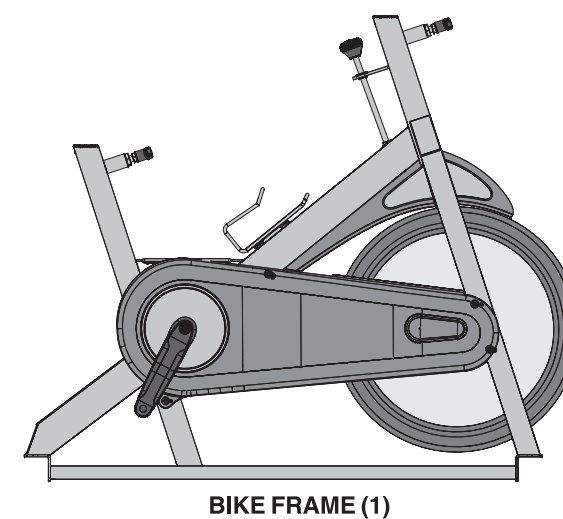
Our mission is to provide products to mold lifelong habits for health and fitness, and the SPINNER® VELO XT will provide the path to meet you goals. For more information on the Spinning® program, Spinning® gear and tips that will help you make the most of every ride, visit spinning.com.

Warning: Read and follow all proper instruction prior to using the bike. Improper use can result in serious injury, and should only be used in a supervised environment. As with all exercise equipment or programs, consult a physician prior to use and stop if you feel faint, dizzy or exhausted. Inspect machine prior to use. Immediately repair or replace worn or defective parts prior to use. Replace warning labels if damaged, illegible or removed. Contact Star Trac customer support at 877-530-8722 to obtain replacement labels.

Enjoy the ride!

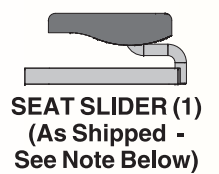
1 Unpack the Carton

Open the shipping carton. Remove all parts from the carton and from the foam inserts. Be sure the following parts are included:

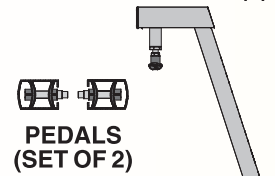


SCREW, BUTTON HEAD M8 X 16 (4)

WASHER, FLAT M8 (4)

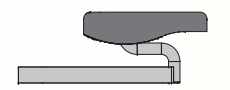


SEAT POST (1)



NOTE: Your SPINNER® VELO also includes a hex key set and open-end wrench for use in assembly.

NOTE: The seat slider is shipped with the seat cushion assembled in the reverse direction to save space. Use the open-end wrench provided to loosen the bolt on the underside of the seat cushion, then turn the seat 180 degrees (as shown) and retighten the bolt.



Assembly Configuration